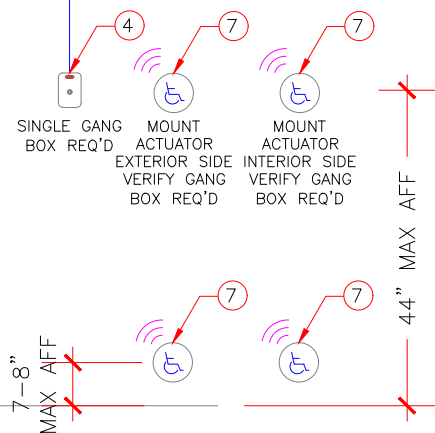


MIRROR OPENING AS REQUIRED. VERIFY ELECTRIFIED LEAF WITH ELECTRICAL / ARCHITECTURAL PLANS.



DOOR HARDWARE

- ① JUNCTION BOX BY OTHERS
- ② SCHLAGE 679-05 DOOR POSITION SWITCH
- ③ VON DUPRIN RX-QEL / FALCON RX-MEL FIRE RATED EXIT DEVICE (24 VDC)
- ④ SCHLAGE MT11 OR MT15
- ⑤ NOT USED
- ⑥ FALCON 8200 SERIES AUTO DOOR OPERATOR
- ⑦ LCN SINGLE GANG BOX WIRELESS ACTUATORS
- ⑧ VON DUPRIN PS902 X 900-2RS X 900-FA
- ⑨ VON DUPRIN EPT10 OR EQUAL
- ⑩ VON DUPRIN RX OR FALCON RX FIRE RATED EXIT DEVICE
- ⑪ 2 EACH LCN 8310-865 WIRELESS RECEIVER

WIRE REQUIREMENTS

2/20 AWG STRANDED FOR DPS
 4/18 AWG STRANDED FOR EACH ELECTRIFIED EXIT DEVICE
 2 WIRES FOR POWER
 2 WIRES FOR REQUEST TO EXIT SIGNAL
 2/20 AWG STRANDED FROM INTERIOR ACTUATOR DIRECT TO MAIN ACTIVATION.
 2/20 AWG STRANDED FROM EXTERIOR ACTUATOR TO MAIN ACTIVATION. ONE LEG TO BE WIRED IN SERIES WITH N/O AUX RELAY CONTACT
 WIRE LOW ACTUATOR IN PARALLEL WITH ACTUATOR ABOVE
 2/20 AWG STRANDED FROM COM/N.O. TO POWER SUPPLY RELAY
 8/22 AWG SHIELDED TO CARD READER. VERIFY REQUIREMENTS W/ CARD READER MANUFACTURER.
 PLENUM RATED CABLE FROM ACCESS PANEL TO J-BOX INTEGRATOR TO VERIFY REQUIREMENTS AND PROVIDE AS REQUIRED FOR SYSTEM DESIGN.
 ANY WIRE RUNS GREATER THAN 200 FEET VERIFY GAUGE WITH MANUFACTURER.

GENERAL NOTES:

ALL LOW VOLTAGE WIRE TO RUN IN MINIMUM 3/4" CONDUIT OR INSIDE DRYWALL UNLESS NOTED OTHERWISE
 ALL LOW VOLTAGE WIRE TO BE STRANDED WIRE
 ALL GANG BOXES BY ELECTRICAL CONTRACTOR AS REQUIRED
 ALL LOW VOLTAGE WIRING TO BE LABELED CLEARLY AT BOTH END
 ALL MOUNTING HEIGHTS AS SHOWN
 COORDINATE MOUNTING LOCATIONS WITH ELECTRICAL/ARCHITECTURAL PLANS
 ANY DEVIATION FROM HARDWARE SPECIFIED IN SECTION 08710 WILL NEGATE ALL REQUIREMENTS SHOWN HEREIN AND REQUIRE NEW DRAWINGS BY OTHERS TO MATCH SUBSTITUTED HARDWARE

OPERATIONAL DESCRIPTION:

DOOR NORMALLY CLOSED AND LOCKED.
 ENTRY BY VALID CREDENTIAL AT CARD READER OR BY KEY OVER-RIDE.
 RX SWITCH / MOTION SENSOR SHUNTS DOOR FORCED OPEN IN ACCESS CONTROL SYSTEM.
 INTERIOR ACTUATOR TO START OPENING CYCLE (UNLESS ADO IS POWERED OFF)
 EXTERIOR ACTUATOR WIRED IN SERIES THROUGH ACCESS CONTROL SYSTEM AUX RELAY SUCH THAT ON VALID CARD OR TIME ZONE CONTROL ACTUATOR CAN BE PRESSED TO START OPENING CYCLE.
 KEY OVER-RIDE WILL CAUSE DOOR FORCED EVENT IN ACCESS CONTROL SYSTEM.
 FREE EGRESS AT ALL TIMES.

 ALLEGION ELECTRIFIED ELEVATION DRAWINGS	DRAWING: ELEVATION DRAWING	
	Drawn By: Jason Relyea DHT, DHC	Checked by:
	DATE: 03-15-2021	VERSION: 1
	SCALE: N.T.S.	REVISION:
		DRAWING NO: 3352C

Wiring Diagram Terms of Use: This information is for professional use only and is intended to be a guide for proper product application and specification. See specific product manuals for proper installation. Any installation should be performed by persons qualified to perform electrical work and in compliance with applicable codes, rules, regulations and orders. Allegion reserves the right to change or modify the information herein without notice. No warranties, express or implied, are provided by Allegion as a result of this information. Any and all use and reproduction of the information herein except for product application and specification is expressly forbidden.