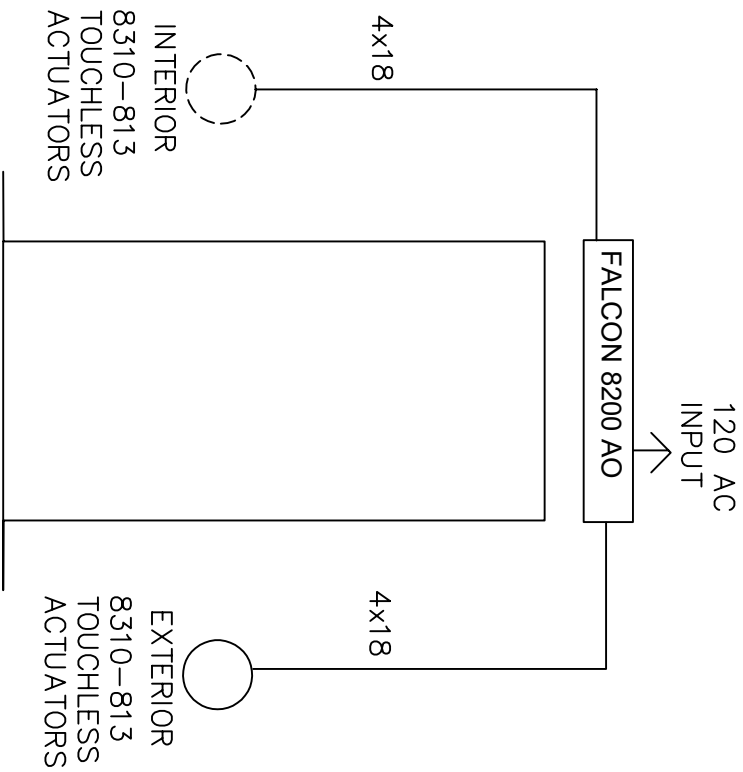


THIS DIAGRAM REPRESENTS A GENERIC CONFIGURATION. CUSTOM WIRING DIAGRAMS CAN BE ACQUIRED BY CONTACTING TECHNICAL SUPPORT.



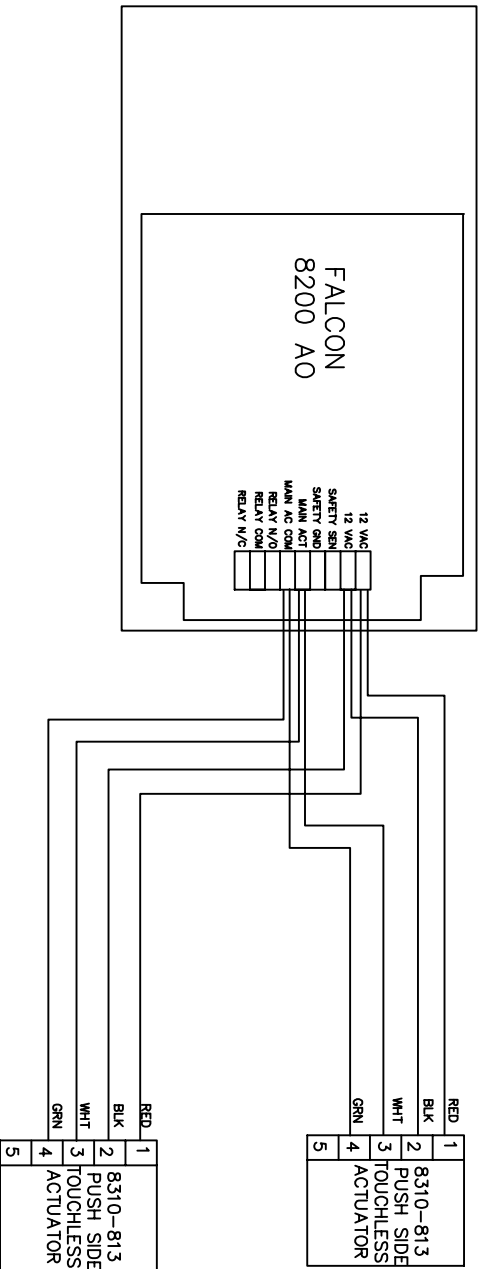
- NOTES:
- 1) ALL LOW VOLTAGE WIRING TO BE STANDARD. MULTI-CONDUCTOR COLOR CODED WITHOUT SPLICES.
 - 2) WIRING TO CONFORM TO APPLICABLE NATIONAL, STATE AND LOCAL ELECTRICAL CODES.
 - 3) REFER TO SPECIFIC PRODUCT INSTALLATION INSTRUCTIONS FOR SPECIFIC WIRING REQUIREMENTS.
 - 4) THIS DRAWING IS FOR GRAPHICAL REPRESENTATION OF PRODUCTS DETAILED IN THE HARDWARE SET ONLY.
 - 5) * CONDUCTOR COUNT TO BE DETERMINED BY ACCESS CONTROL PANEL PROVIDER.

HARDWARE USED:	
1 FALCON 8200 AO	
2 8310-813 TOUCHLESS ACTUATOR	
TYPE:	NON LATCHING BATHROOM DOOR WITH TOUCHLESS ACTUATORS INTERIOR AND EXTERIOR

OPERATION: SINGLE BATHROOM DOOR ENTRANCE. NON FIRE RATED, NO POSITIVE LATCHING. EXTERIOR WAVING HAND IN FRONT OF 8310-813 TOUCHLESS ACTUATOR TO SIGNAL FALCON 8200 AO TO OPEN OR DOOR MAY BE PULLED OPEN MANUALLY VIA PULL ON DOOR INTERIOR WAVING HAND IN FRONT OF 8310-813 TOUCHLESS ACTUATOR TO SIGNAL FALCON 8200 AO TO OPEN OR DOOR MAY BE PUSHED OPEN FROM INSIDE.	
DATE DRAWN:	03-27-20
REVISION DATE:	04-03-20

<p>ALLEGION™</p> <p>NON LATCHING BATHROOM DOOR WITH TOUCHLESS ACTUATORS INTERIOR AND EXTERIOR</p>	
<p>TITLE: NON LATCHING BATHROOM DOOR WITH TOUCHLESS ACTUATORS INTERIOR AND EXTERIOR</p>	
DRAWING TYPE:	RISER DIAGRAM
DWG. NO.:	113521R
DRAWN/CHECKED BY:	B DOVE/J WEISS
REV:	A

THIS DIAGRAM REPRESENTS A GENERIC CONFIGURATION. CUSTOM WIRING DIAGRAMS CAN BE ACQUIRED BY CONTACTING TECHNICAL SUPPORT.



NOTES:
 1) ALL LOW VOLTAGE WIRING TO BE STANDARD. MULTI-CONDUCTOR COLOR CODED WITHOUT SPLICES.
 2) WIRING TO CONFORM TO APPLICABLE NATIONAL, STATE AND LOCAL ELECTRICAL CODES.
 3) REFER TO SPECIFIC PRODUCT INSTALLATION INSTRUCTIONS FOR SPECIFIC WIRING REQUIREMENTS.
 4) THIS DRAWING IS FOR GRAPHICAL REPRESENTATION OF PRODUCTS DETAILED IN THE HARDWARE SET ONLY.
 5) ADDITIONAL WIRING WILL BE REQUIRED FROM ACP THAT IS NOT SHOWN HERE. CONSULT PROVIDER FOR DETAILS.

HARDWARE USED:
 1 FALCON 8200 AO
 2 8310-813 TOUCHLESS ACTUATOR

TYPE:
 NON LATCHING BATHROOM DOOR WITH TOUCHLESS ACTUATORS INTERIOR AND EXTERIOR

OPERATION:
 SINGLE BATHROOM DOOR ENTRANCE. NON FIRE RATED. NO POSITIVE LATCHING.
 EXTERIOR WAVING HAND IN FRONT OF 8310-813 TOUCHLESS ACTUATOR TO SIGNAL FALCON 8200 AO TO OPEN OR DOOR MAY BE PULLED OPEN MANUALLY VIA PULL ON DOOR
 INTERIOR WAVING HAND IN FRONT OF 8310-813 TOUCHLESS ACTUATOR TO SIGNAL FALCON 8200 AO TO OPEN OR DOOR MAY BE PUSHED OPEN FROM INSIDE.

DATE DRAWN: 03-27-20 REVISION DATE: 04-03-20

ALLEGION™

NON LATCHING BATHROOM DOOR WITH TOUCHLESS ACTUATORS INTERIOR AND EXTERIOR

DRAWING TYPE: WIRING DIAGRAM

DWG NO: 113521W
 DRAWN/CHECKED BY: B DOVE/J WEISS

REV: A