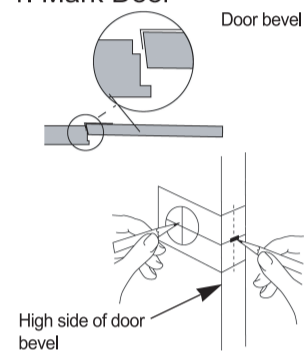


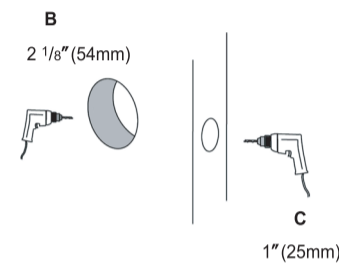
**Instructions For Installation of Single and Double Cylinder Dead Lock**

**1. Mark Door**



- A. Check lock for proper backset before marking.
- B. Fold template over door edge.
- C. Mark center for 2 1/8" (54mm) hole.
- D. Mark center for 1" (25mm) diameter latch hole in door edge.

**2. Drill holes**

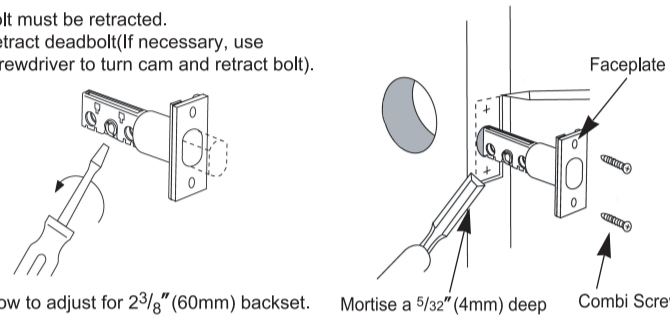


- A. Determine backset (2 3/4" or 2 3/8") of the lock.
- B. Drill a 2 1/8" (54mm) hole through both sides of the door as shown.
- C. Drill a 1" (25mm) hole into front face of the door. Be certain holes are perpendicular.

**3. Install Dead Bolt**

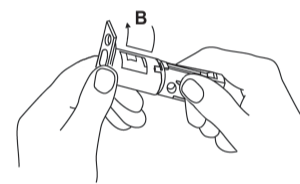
Adjustable deadbolt is factory preset 2 3/4" (70mm) backset.

- A. Bolt must be retracted. Retract deadbolt (if necessary, use screwdriver to turn cam and retract bolt).



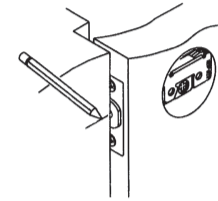
- B. How to adjust for 2 3/8" (60mm) backset. Mortise a 5/32" (4mm) deep

**NOTE:** Press on the bolt with thumb. Rotate faceplate and push down to move housing to next position.

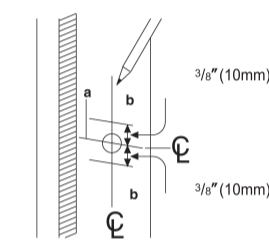


- C. Scribe line around faceplate.
- D. Chisel out scribed area to depth of 5/32" (4mm) or until face is flush with door edge.
- E. Insert deadbolt and fasten with two screws.

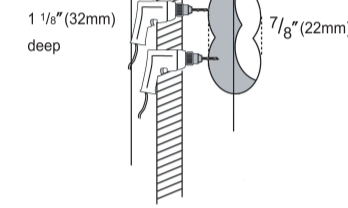
**4. Prepare Door Jamb**



**Note:** Close door to mark horizontal center line of strike.

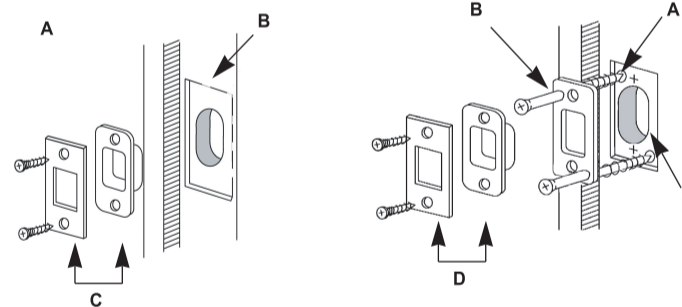


- A. Locate exact centerline of bolt and mark centerline on jamb.
- B. Mark drill points 3/8" (10mm) above and below centerline.



- C. Drill two overlapping 7/8" (22mm) dia holes, 3/8" (10mm) above and below centerline to a depth of 1 1/8" (32mm).

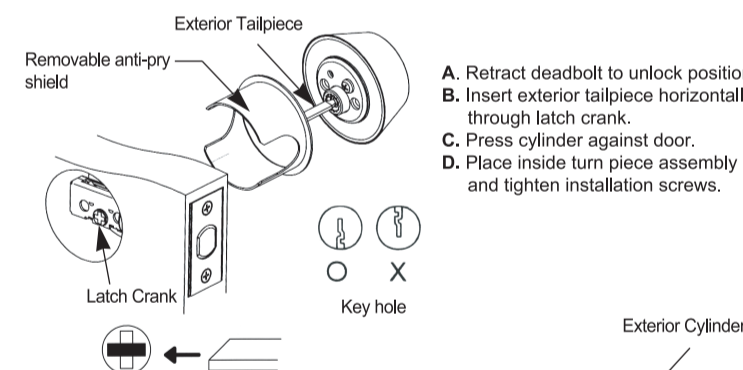
**5. Install Strike**



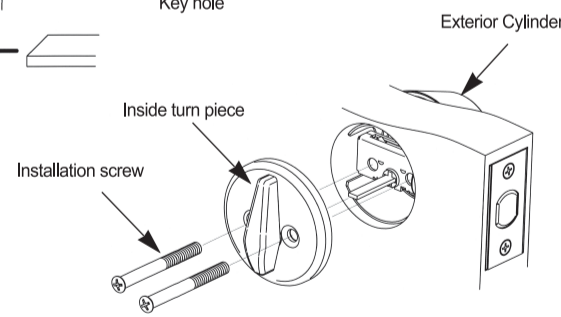
- A. Place strike box in hole. Place strike over the strike box and use it as pattern for cutout.
- B. Chisel about 1/8" (3.2mm) deep for flush fit of box and strike.
- C. Install strike box and strike with combi screws.

- A. Place reinforcer over holes with screw holes as shown. Mark and drill 3/16" (5mm) holes for reinforcement screws.
- B. Chisel about 1/4" (6mm) deep for flush fit of reinforcer, box and strike.
- C. Install Reinforcer with 3" (76mm) wood screws.
- D. Install strike box and strike with combi screws.

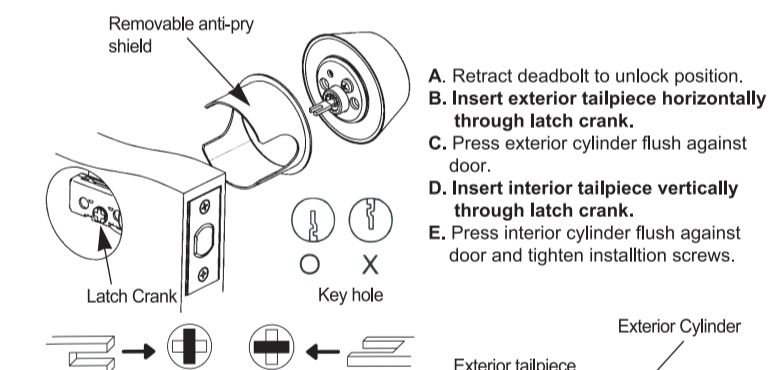
**6. Install Single Cylinder**



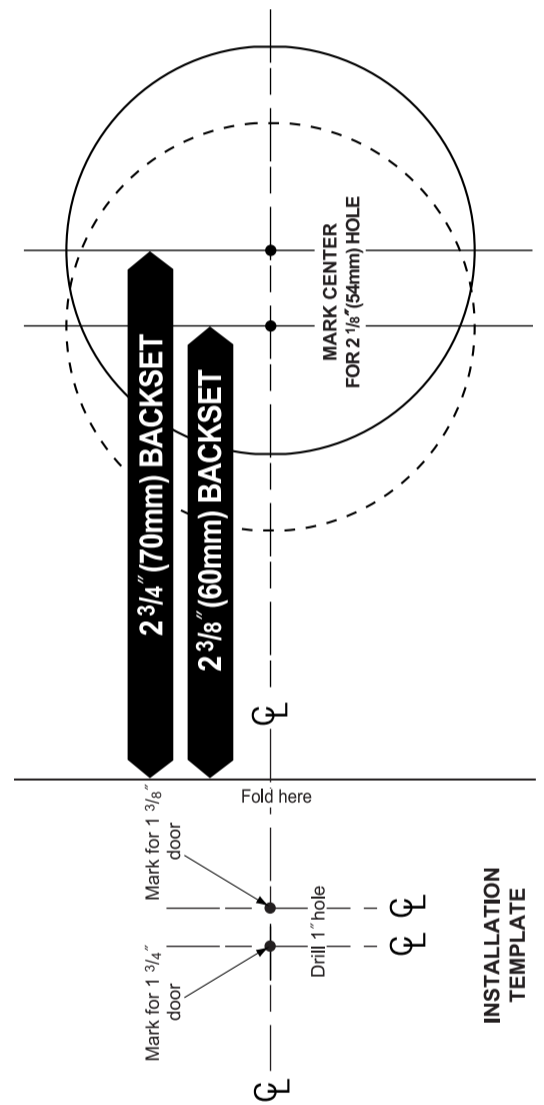
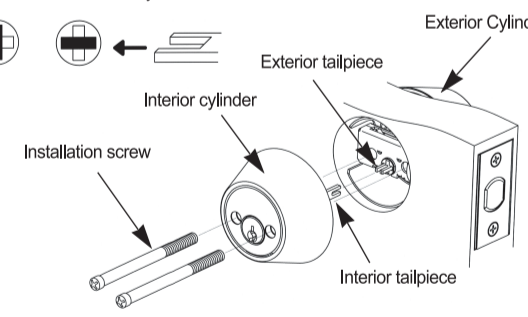
- A. Retract deadbolt to unlock position.
- B. Insert exterior tailpiece horizontally through latch crank.
- C. Press cylinder against door.
- D. Place inside turn piece assembly and tighten installation screws.



**7. Install Double Cylinder**



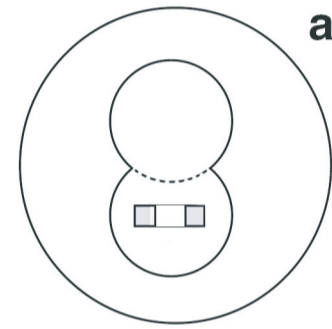
- A. Retract deadbolt to unlock position.
- B. Insert exterior tailpiece horizontally through latch crank.
- C. Press exterior cylinder flush against door.
- D. Insert interior tailpiece vertically through latch crank.
- E. Press interior cylinder flush against door and tighten installation screws.



INSTALLATION TEMPLATE

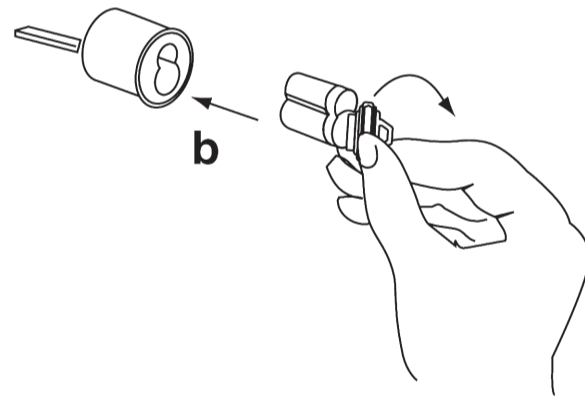
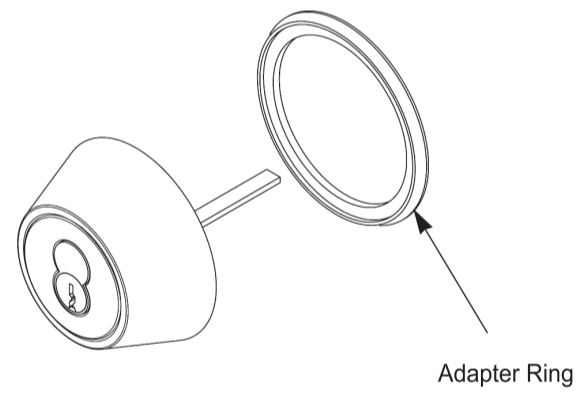
### Small Format Interchangeable Core(Optional)

- A. Align driver horizontally as shown.
- B. Install core: Turn control key clockwise and push core into housing.  
Turn control key back to vertical position  
remove from the core.



#### ※ Adapter Ring (Thin door kit)

**NOTE:** To install on 1-3/8" thickness door, use optional adapter ring shim.



## CAUTION FOR CLASSROOM FUNCTION

- A. Check handing of lock installation (RH or LH).
- B. Insert the cam with Point upward into thumbturn piece.

