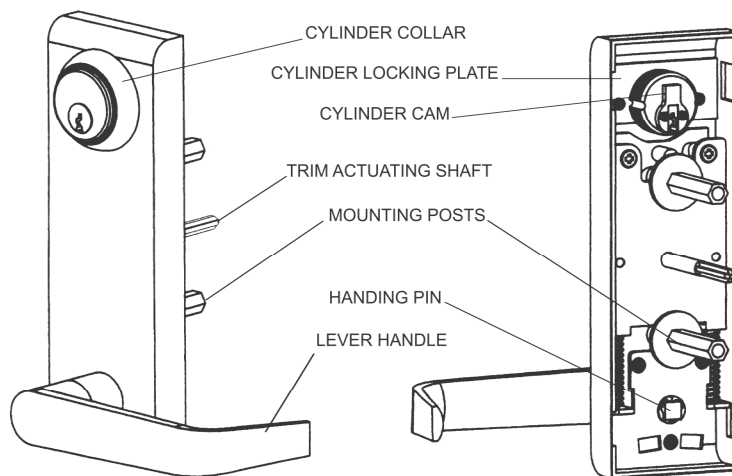


ESCUTCHEON LEVER TRIMS INSTALLATION INSTRUCTIONS

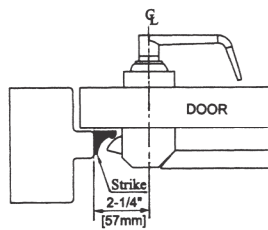
Trims covered by these instructions:

- Cylinder Escutcheon (CE) – Key locks & unlocks lever
- Blank Escutcheon (BE) – Lever is always operable
- Night Latch Escutcheon (NL) – Key retracts latch bolt
- Dummy Escutcheon (DE) – Pull when dogged

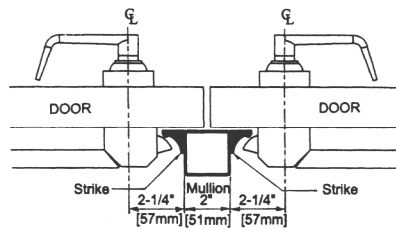


DOOR APPLICATIONS

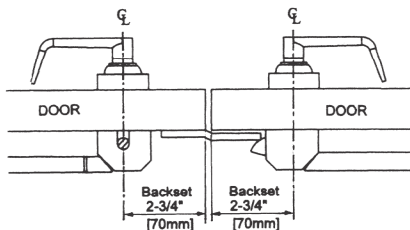
Single Door with Rim Device



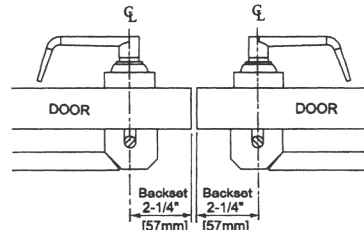
Double Door with Mullion



Double Door with Rim Device and Surface Vertical Rod Device

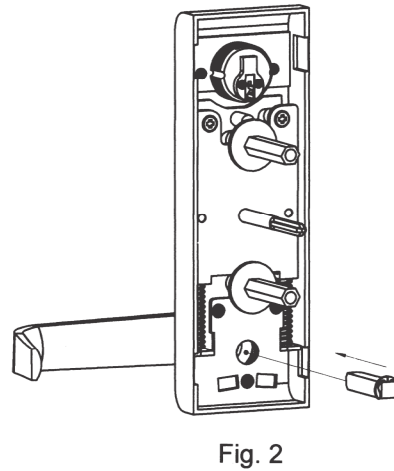
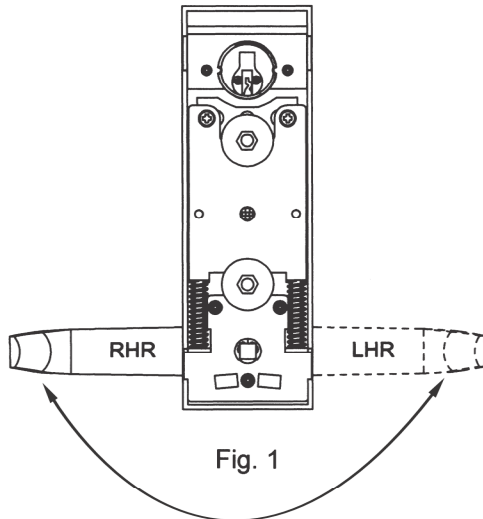


Double Door with Surface Vertical Rod Device



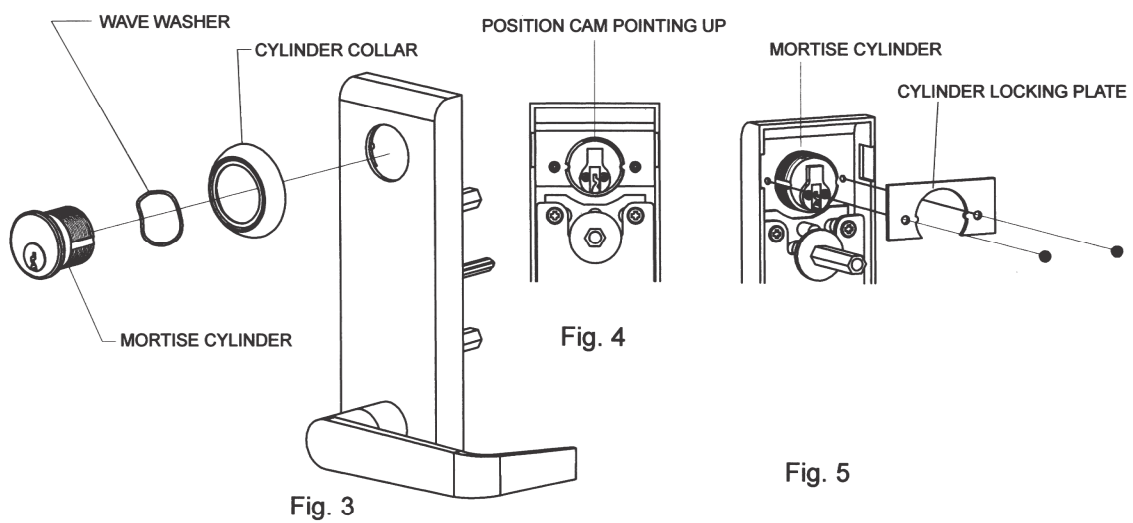
SET TRIM HANDING

1. Rotate lever handle to right or left direction to match desired door handling. (See Fig. 1.)
In case the handle is knob type, skip to Step 2.
2. Insert the square spindle into the hub. (See Fig. 2.)
3. Proceed with EXIT DEVICE INSTRUCTIONS.



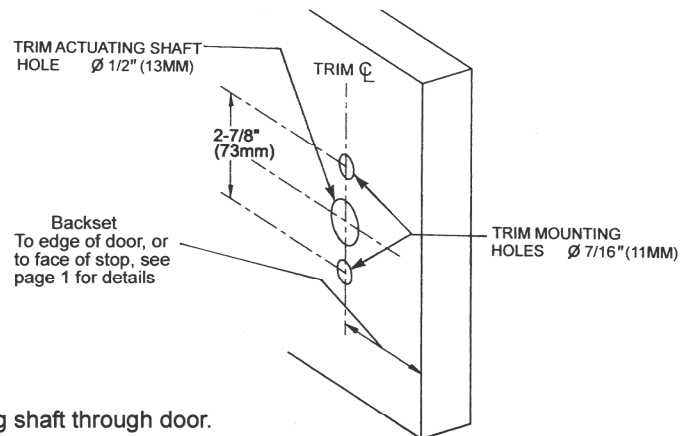
INSTALL MORTISE CYLINDER

1. Slide wave washer and cylinder collar onto mortise cylinder body. (See Fig. 3.)
2. Screw cylinder into escutcheon trim with cam up positioned. (See Fig. 4.)
3. Install cylinder locking plate and fasten it with provided screws. (See Fig. 5.)
4. Blank Escutcheon (passage function) and Dummy Escutcheon skip these steps.



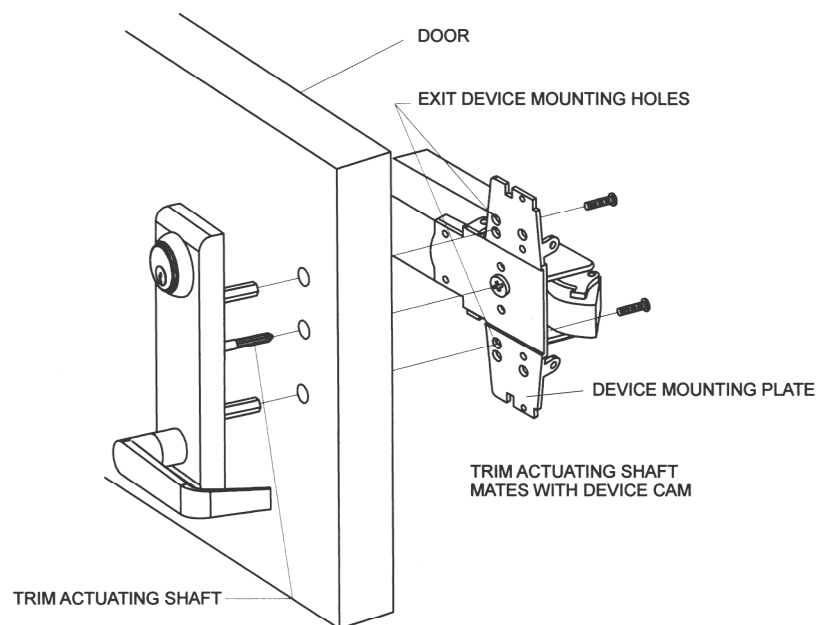
MARK AND DRILL MOUNTING HOLES ON DOOR

1. Mark horizontal centerline by matching it to the centerline of exit device, which can be found on the inside face of door.
2. Apply template to the door using centerline. Refer to Applications Section on page 1 to determine the location of the vertical centerline. This vertical centerline should match the centerline of exit device located on the inside face of door.
3. Mark and drill 7/16" holes for mounting posts as shown on template.
4. Mark and drill 1/2" holes for the trim actuating shaft, which mates with the exit device. See exit device instructions for details.



INSTALL ESCUTCHEON TRIM

1. Insert trim mounting posts and actuating shaft through door.
2. Mate trim actuating shaft with cam on back of the device chassis.
3. Fasten the trim from the device mounting plate with provided screws.
4. Test installation by operating lever / knob handle or key to verify trim activates exit device.
5. Note: Dummy trim is only for pulling door, handle does not rotate.





REV : 03, 12/2010

