

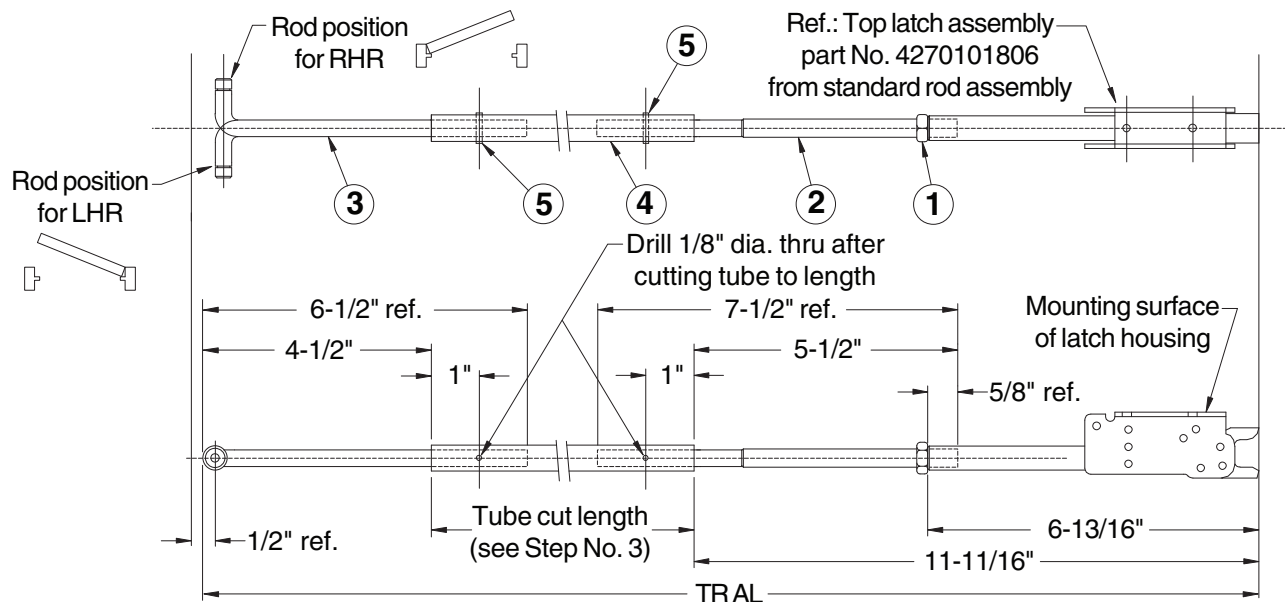
# FALCON®

## Installation Instructions

### 2390 Extension Rod Kit

(EXTROD.1001)

1. Remove latch assembly (part No. 4270101806) from old top rod.
2. Determine top rod assembly overall length TR AL:  $TR AL = \text{door height} - 0.156'' - C$   
where C = distance from muntin center line to bottom of door.
3. Determine tube cut length:  $\text{Tube cut length} = TR AL - 16.188''$
4. Cut tube to length.
5. Drill 1/8" diameter holes 1" from each end of tube.
6. Install upper extension rod into tube and secure with 1/8" diameter roll pin. Be sure pin goes through both sides of tube but does not significantly extend from tube on either side.
7. Install lower extension rod into tube and secure with 1/8" diameter roll pin. Be sure pin goes through both sides of tube but does not significantly extend from tube on either side.
8. Install jam nut on threaded end of upper extension rod, then thread rod into top latch.
9. With top latch fully extended (rod assembly at longest length), set overall rod assembly to the TR AL dimension determined in Step No. 2.
10. Position rod end for required hand (see diagram) and tighten jam nut. Be sure bent end of rod is perpendicular to side of latch housing.



Item	Description	Part No.	Quantity
1	#38-24 jam nut	4299100004	1
2	Upper extension rod 7.5"	ROD.1049	1
3	Lower extension rod 6.5"	ROD.1048	1
4	Extension tube 70"	TUBE.300	1
5	1/8" x 5/8" roll pin	4299100060	2



#### NOTE

This kit allows rod assembled lengths of 20.188" minimum (for doors down to 5.5 feet tall) and 86.188" maximum (for doors up to 10.5 feet tall) for doors with common muntin center lines. For doors less than 5.5 feet high or more than 10.5 feet high, consult factory.