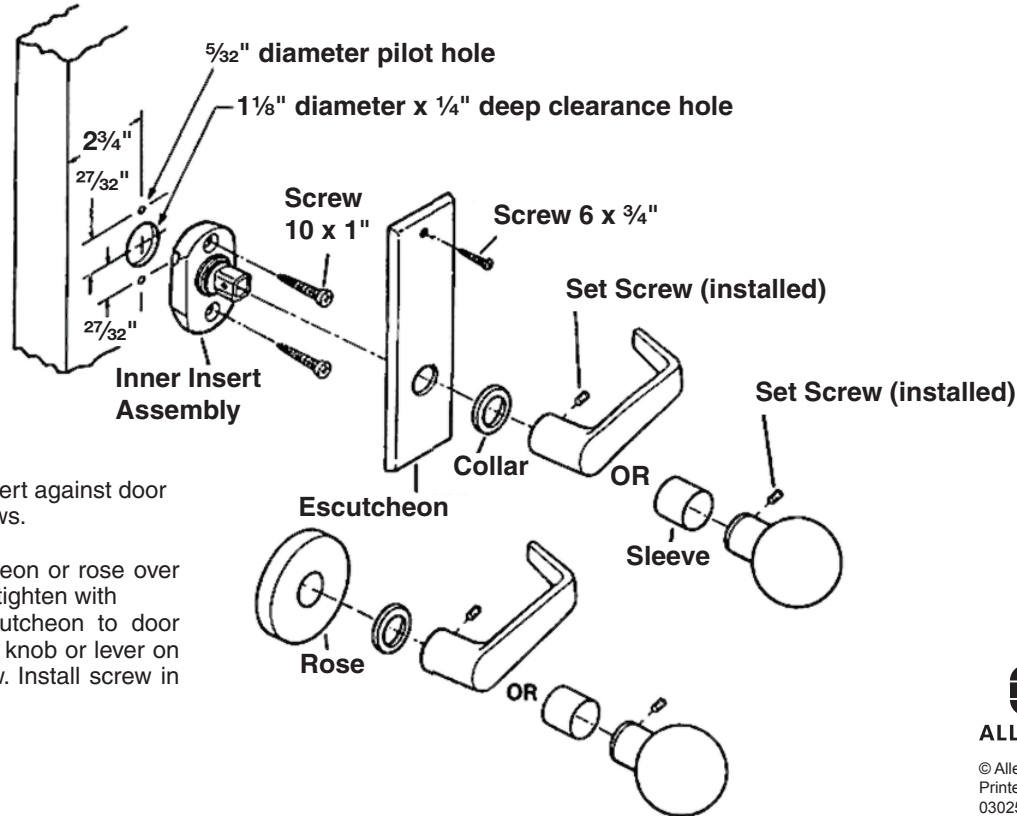




030254-000-70

# FALCON®

## INSTRUCTIONS FOR M SERIES SINGLE DUMMY WITH ESCUTCHEON OR SECTIONAL TRIM



**STEP ONE:** Place inner insert against door and attach with 1" long screws.

**STEP TWO:** Place escutcheon or rose over insert. Thread on collar and tighten with spanner wrench (align escutcheon to door edge before tightening.) Put knob or lever on shank and tighten set screw. Install screw in escutcheon, if used.

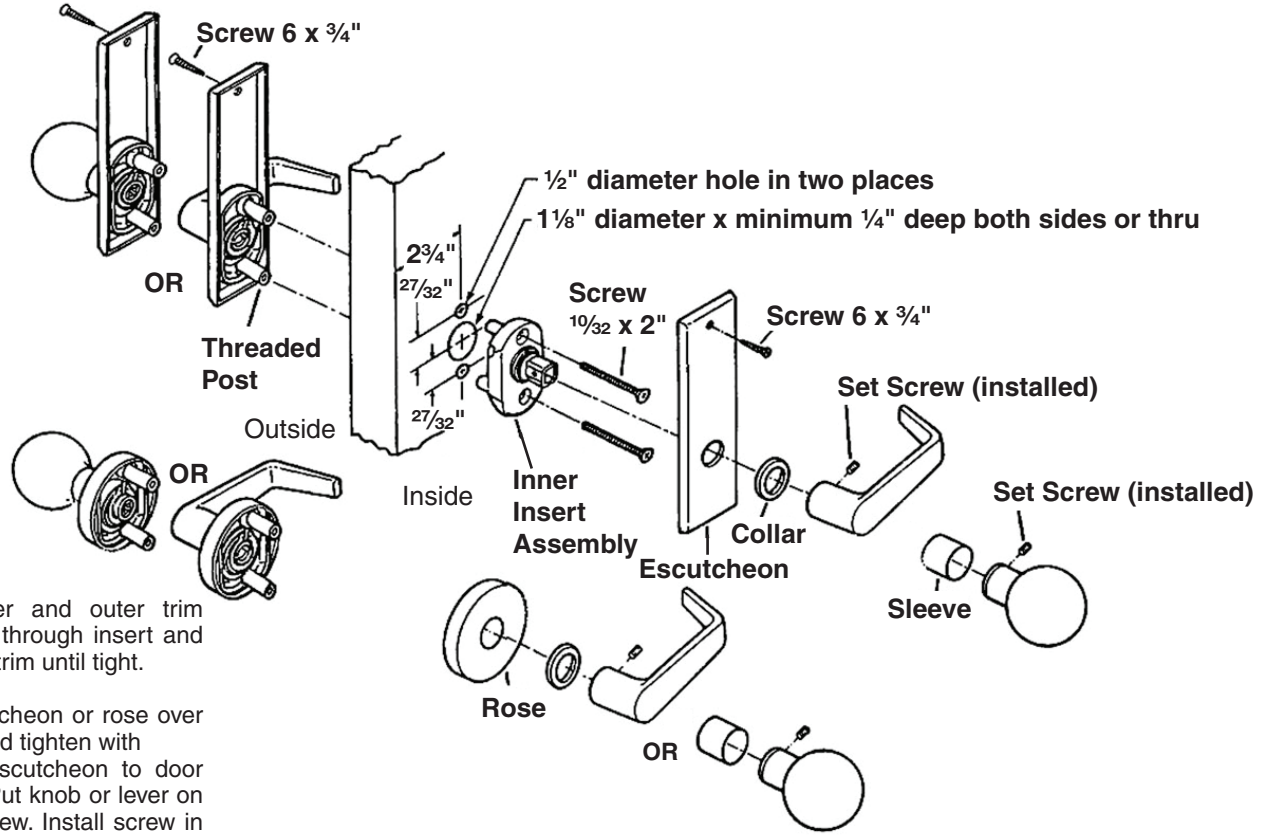


**ALLEGION**

© Allegion 2014  
Printed in U.S.A.  
030254-000-70 Rev. 10/14-d

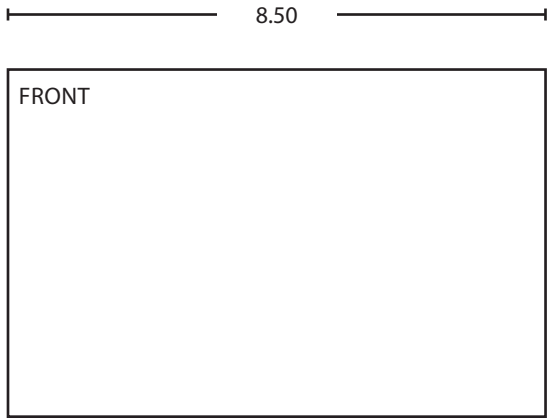
# FALCON®

## INSTRUCTIONS FOR M SERIES DOUBLE DUMMY WITH ESCUTCHEON OR SECTIONAL TRIM

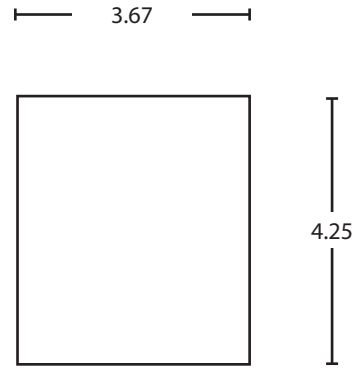


**STEP ONE:** Place inner and outer trim against door. Put screws through insert and thread into posts of outer trim until tight.

**STEP TWO:** Place escutcheon or rose over insert. Thread on collar and tighten with spanner wrench (align escutcheon to door edge before tightening.) Put knob or lever on shank and tighten set screw. Install screw in escutcheon, if used.



BEGINNING SHEET



FOLDED SHEET

Additional Notes:
1. None

Revision History						Revision Description:					
A	B	C	D	E	F	D > Revised artwork					
4955-395	0790	6683									
Material						Edited By		Approved By		EC Number	Release Date
White Paper						J. Ellis		M. Roberts		xxxxx	10/14
Notes						Title					
1. printed two sides						Instruction Sheet, M Dummy					
2. printed black						Creation Date		Number		Revision	
3. tolerance ± .13						10-22-14		030254-000-70		D	
4. printed in country may vary						Created By		Activity		© Allegion 2014	
5. barcode shows after fold						J. Ellis		3899 Hancock Expwy Security, CO 80911			
						Software: InDesign CS6					