

OHC 100 SERIES

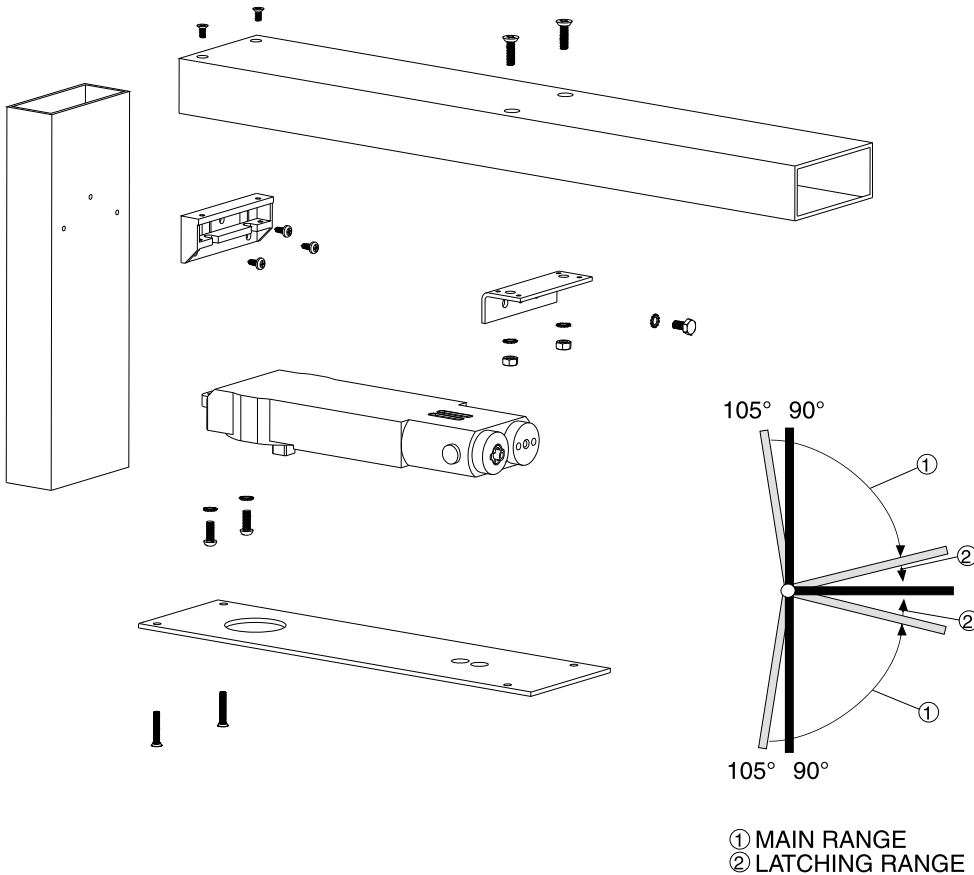
FALCON®

Models: 090, 090H, 105, 105H

POWER ADJUSTABLE

CONCEALED OVERHEAD DOOR CLOSER INSTALLATION INSTRUCTIONS

FOR 105° OR 90° DOOR OPENING WITH OR WITHOUT HOLD OPEN
 CENTER HUNG, DOUBLE OR SINGLE ACTION DOORS
 SIDE LOADING, END LOADING AND OFFSET SLIDE ARM INSTALLATION
 SEPARATE VALVES FOR MAIN AND LATCH SPEED ADJUSTMENT



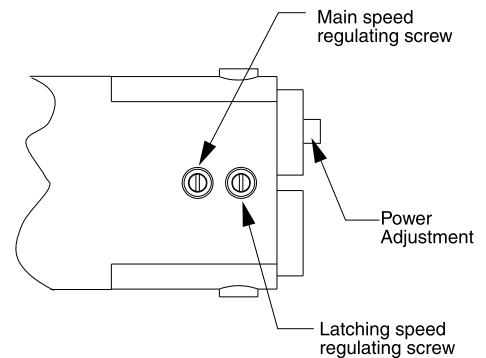
IMPORTANT

To prevent damage to door closer, do not drill into DOOR HEADER after installing closer.

PROPOSAL for DOOR CLEARANCE

both of the door stiles 1/8" (3mm)
 top door rail 1/8" (3mm)
 bottom door rail 3/16" (5mm)

SPEED ADJUSTMENT

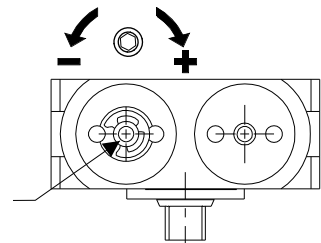


Speed adjustment
 Max. 2 turns in either direction.

General Notes:

1. Offset kits do not include butt hinges, pivots or arm covers.
2. Cover plate to be provided by frame manufacturer.

POWER ADJUSTMENT



Use 3/16" allen wrench provided to adjust.

OHC 101 (Size 1-3)		
Size	Number of Turns	Direction
1	-4	Counter Clockwise
2	0	Factory Setting
3	+4	Clockwise

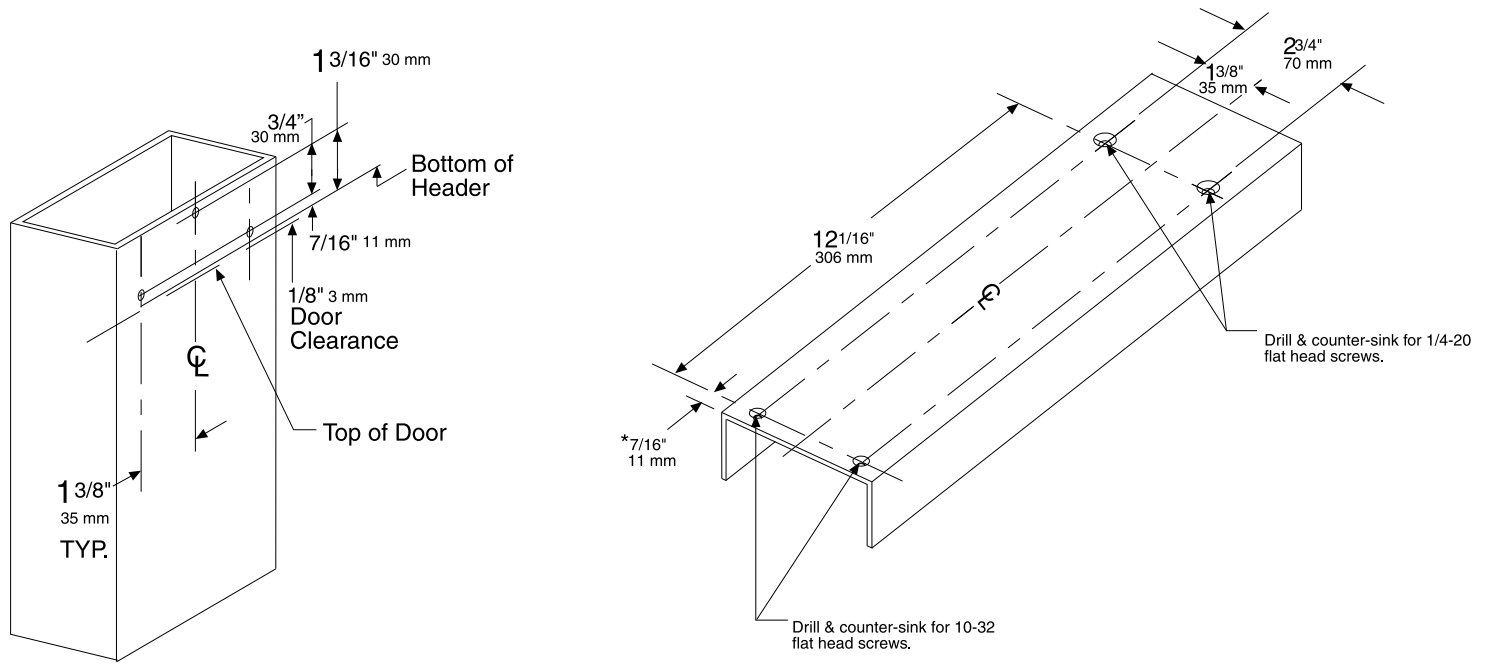
OHC 100 (Size 3-5)		
Size	Number of Turns	Direction
3	-4	Counter Clockwise
4	0	Factory Setting
5	+4	Clockwise

CAUTION
 IMPROPER INSTALLATION OR REGULATION MAY RESULT IN PERSONAL INJURY OR PROPERTY DAMAGE. FOLLOW ALL INSTRUCTIONS CAREFULLY.

Customer Service
 1-877-671-7011 www.allegion.com/us

ALLEGION™
 © Allegion 2015
 Printed in U.S.A.
 43304 Rev. 05/15-d

1. Prepare jamb and header for closer installation, as shown.



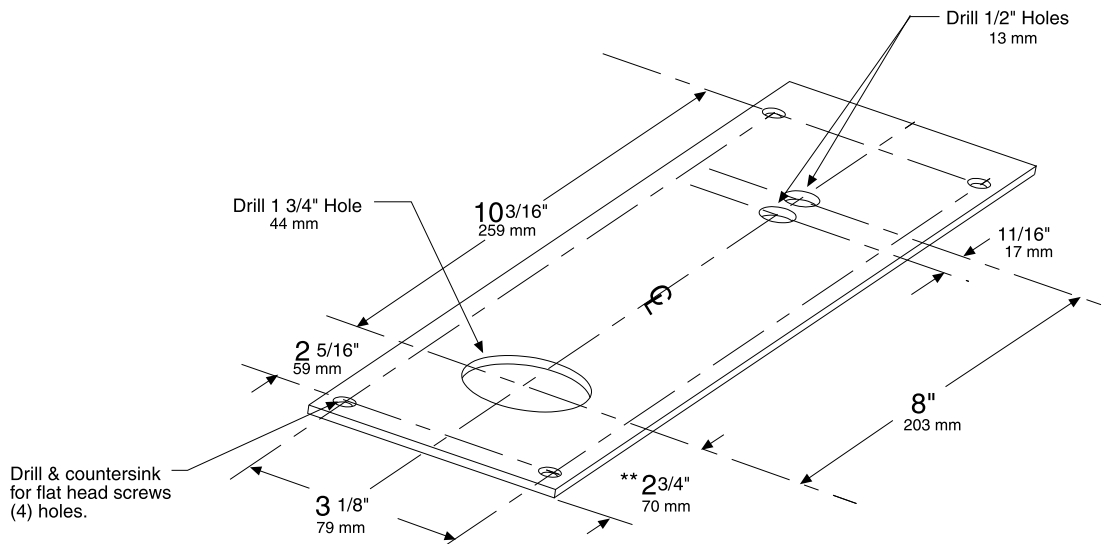
Drill holes in jamb for #10 pan head self-threading screws.

* This dimension may vary for some offset slide arm applications. See offset slide arm installation instruction sheets.

Drill and counter-sink outside top surface of header, as shown.

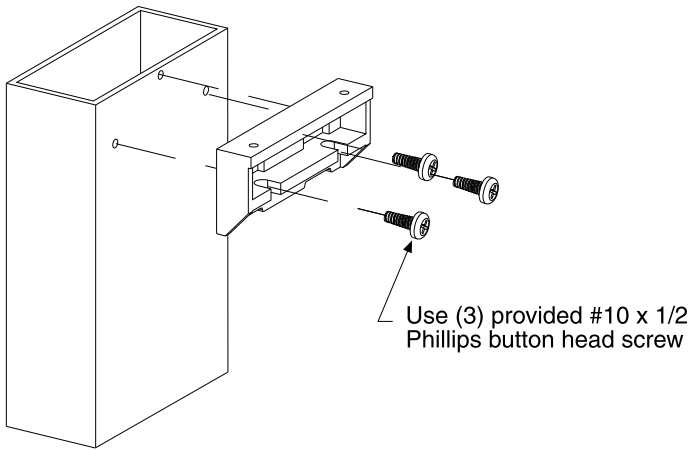
Cover Plate Template

(Cover plate & fasteners to be provided by frame manufacturer.)

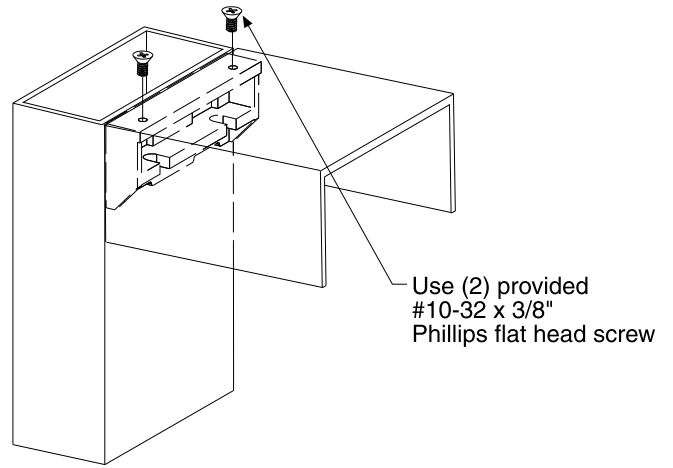


** This dimension may vary for some offset slide arm applications. See dimension "A" in charts located within offset arm instructions.

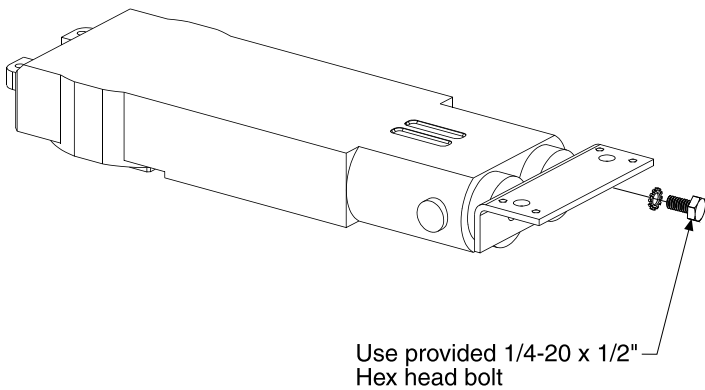
2. Attach bracket to jamb.



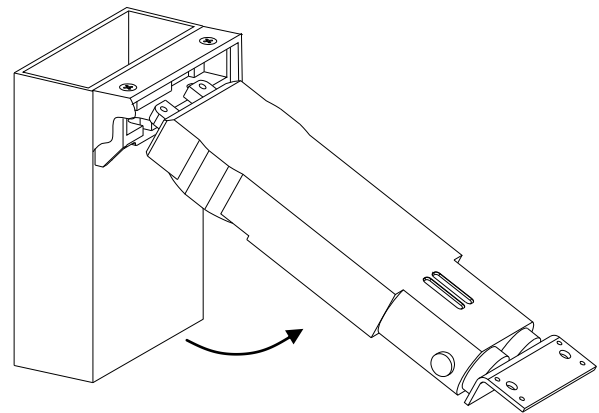
3. Attach header to bracket.



4. Connect bracket to closer body.



5. Slide closer into bracket and swing into header screws.



6. Finish attaching closer assembly to brackets in header. Attach cover plate (provided by others).

