

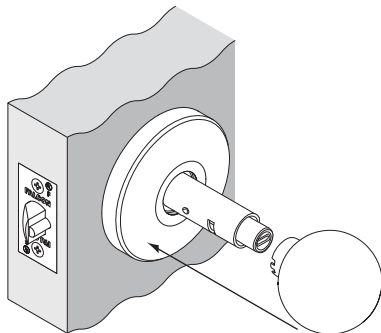
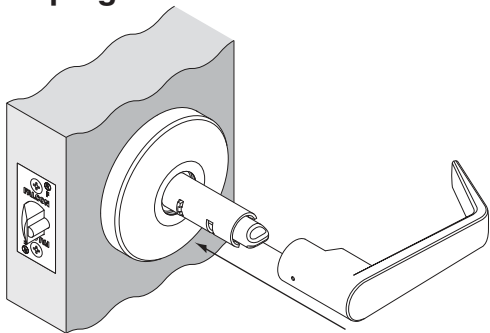
FALCON[®]

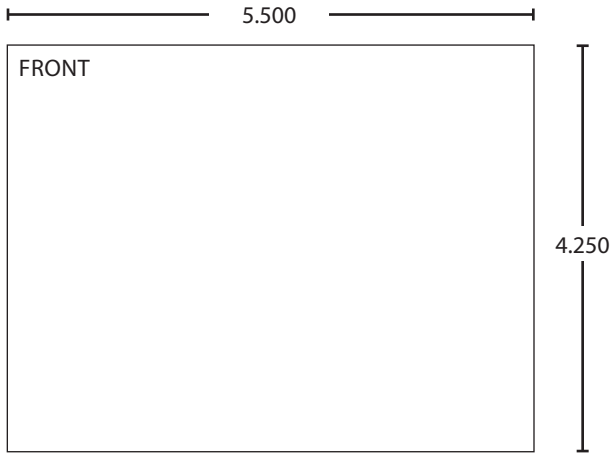
¡ATENCIÓN! ATTENTION! ATTENTION!

For W581, Install Closed Lever or Knob Over Locking Button

Para el W581, Instale la palanca cerrada o el botón de bloqueo del tirador

Pour le modèle W581, installez la fermeture à levier ou la poignée sur le bouton de condamnation





Additional Notes:
1. None

Revision History						Revision Description: B > Revised artwork						
A	B	C	D	E	F							
6545												
Material Canary Yellow Paper or Equivalent						Edited By	Approved By	EC Number	Release Date			
						D. Spence	M. Sasso	043528	01-01-14			
Notes 1. printed one side 2. printed black 3. tolerance ± .13 4. printed in country may vary 5. drawings not to scale						Title Falcon W581 Insert						
						Creation Date 01-08-2014		Number Q513-066			Revision B	
						Created By D. Spence		Activity 3899 Hancock Expwy Security, CO 80911			© Allegion 2014	
						Software: InDesign CS6						