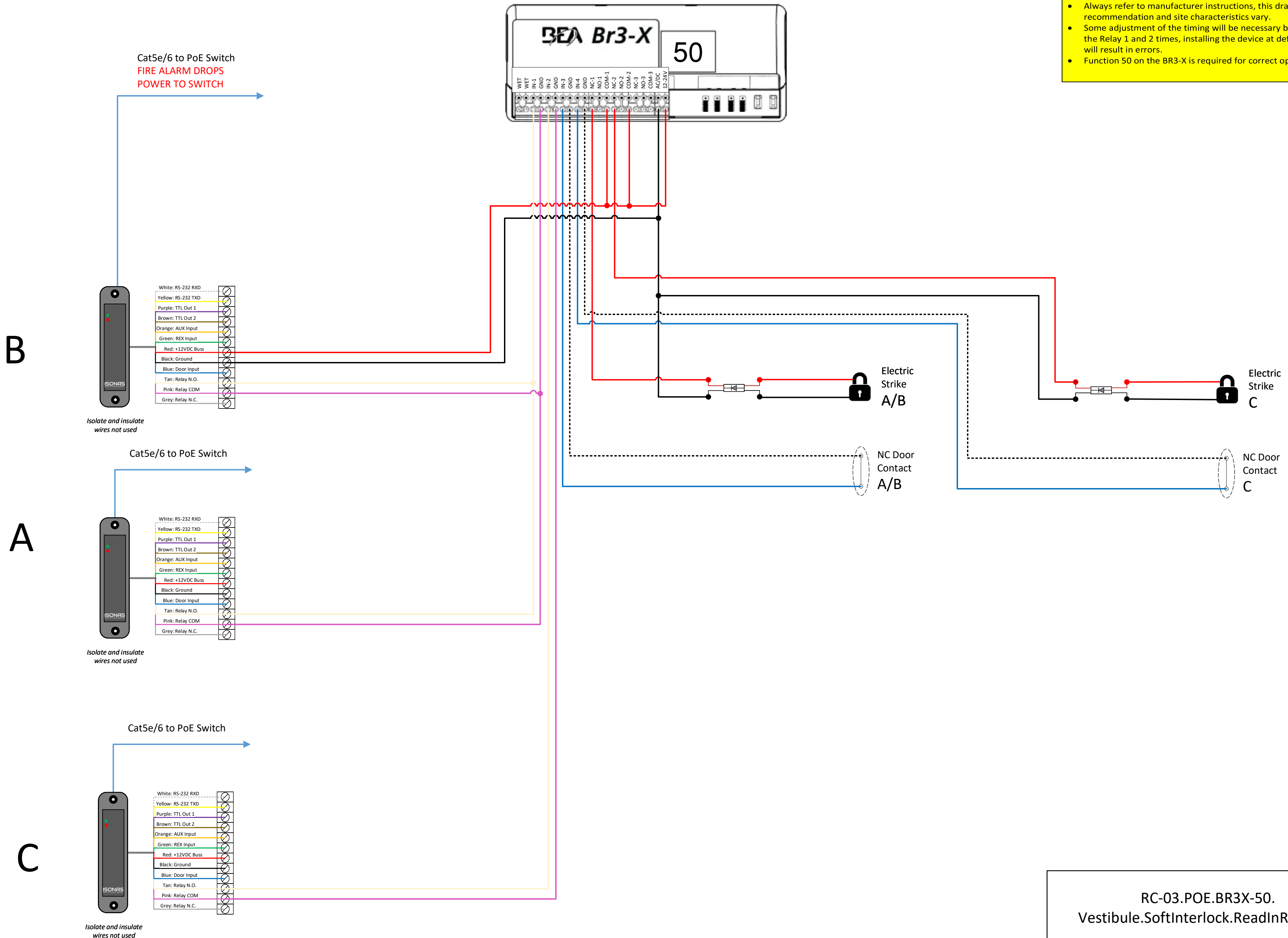


Important – Read This First

- Always check with the local AHJ to make sure that your design meets code for the given address and occupancy
- Always refer to manufacturer instructions, this drawing is a recommendation and site characteristics vary.
- Some adjustment of the timing will be necessary by adjusting the Relay 1 and 2 times, installing the device at default values will result in errors.
- Function 50 on the BR3-X is required for correct operation



RC-03.POE.BR3X-50.
Vestibule.SoftInterlock.ReadInReadOut

Dwg No:	Sheet	of
	1	1
Date:	Drawn By:	Version:
6-28-2019	David Tamarchenko	1.00.00

ISONAS
PURE IP ACCESS CONTROL
4750 Walnut Street Suite 110
Boulder, CO 80301
www.isonas.com