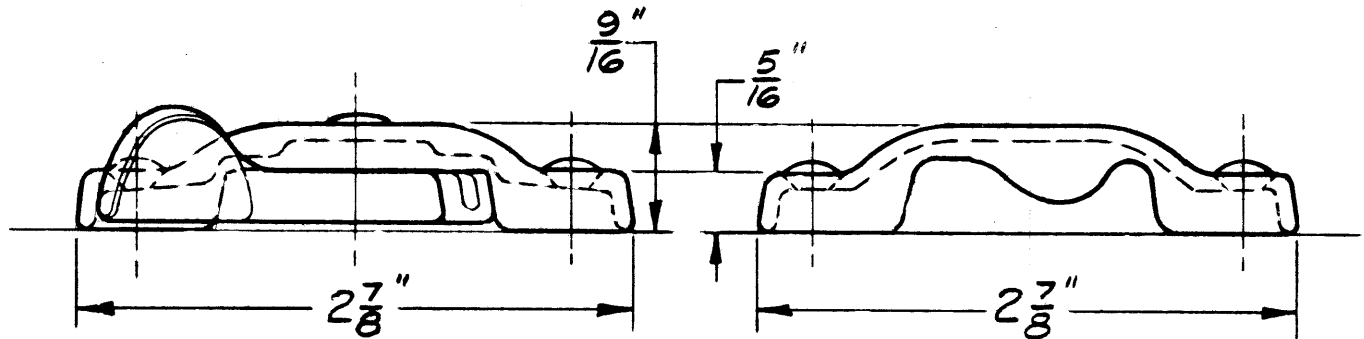
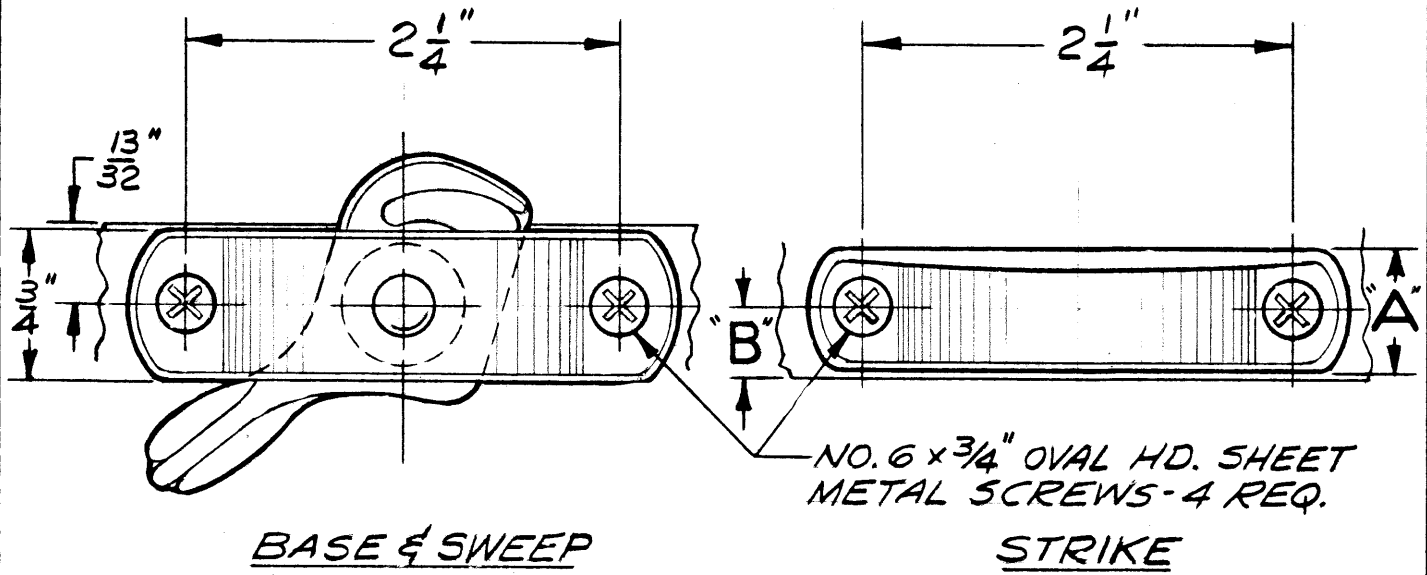
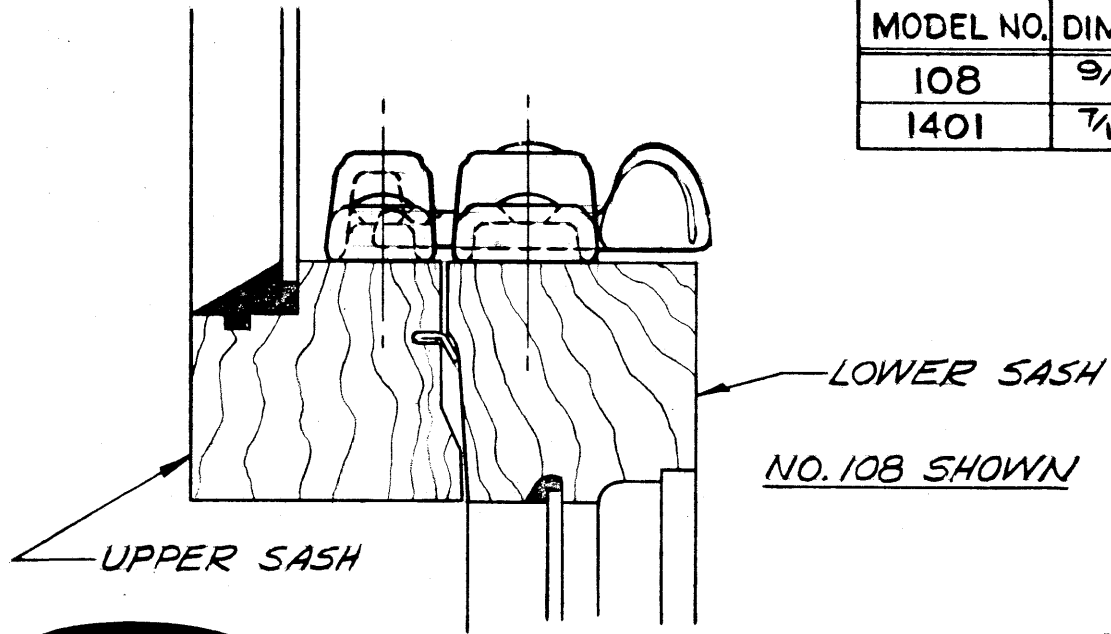


TEMPLATE DRAWING



MODEL NO.	DIM. "A"	DIM. "B"
108	9/16"	5/16"
1401	7/16"	9/32"



NO. 108 & NO. 1401 WEATHER-TITE SASH LOCKS

TEMPLATE NO. HB-108-11
 DRAWN BY: C.S.C. DATE: 5-20-70

IVES DIVISION
 LEIGH PRODUCTS, INC.
 P. O. BOX 1887, NEW HAVEN, CONN. 06508