

# TEMPLATE DRAWING

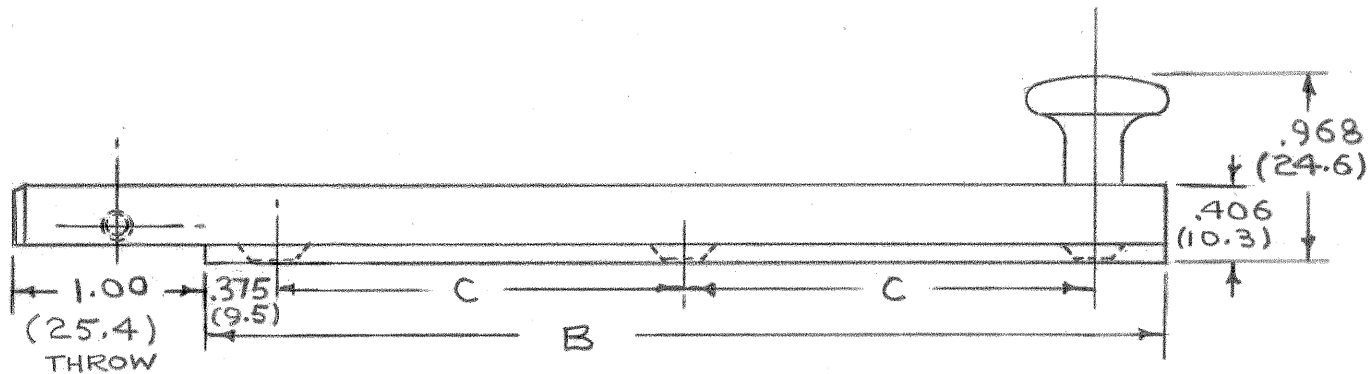
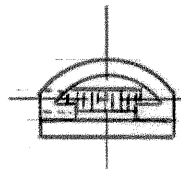
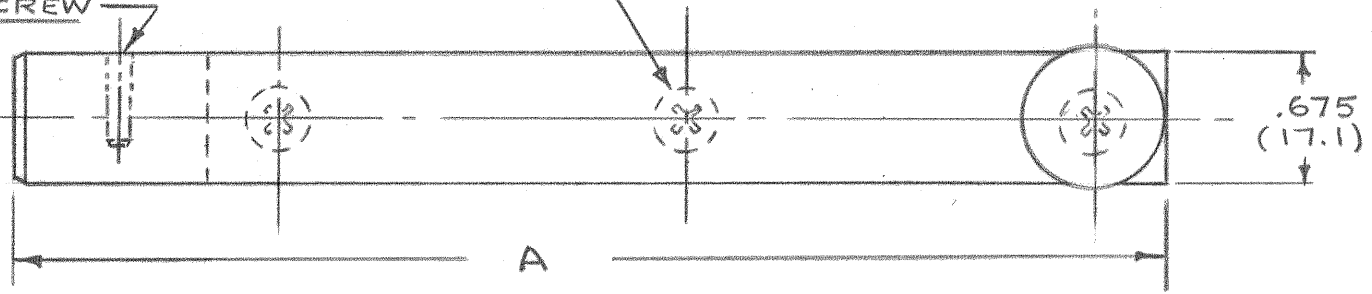
DWG # 22664  
Rev A, new drawing # 10/5/99

NOTE: METRIC DIMENSIONS IN PARENTHESIS (MM)

BOLT	A	B	C
6 IN.	6.00 (152.4)	5.00 (127.0)	2.125 (54.0)
9 IN.	9.00 (228.6)	8.00 (203.2)	3.625 (92.1)

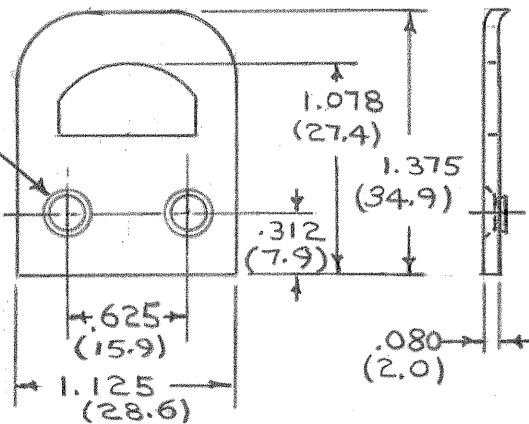
CONCEALED ATTACHING SCREWS  
(3 / NO. 8 x 3/4 F.H.P.H. SMS)

SET SCREW

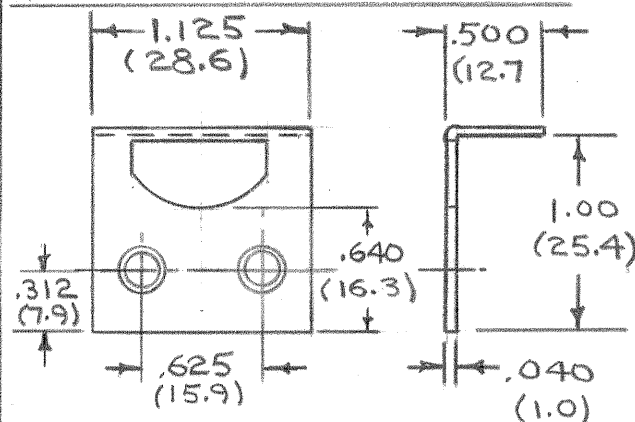


STRIKE ATTACH. SCREWS  
(2 / NO. 8 x 1/2 F.H.P.H.W.S)  
(38.1)

**DO NOT SCALE**



UNIVERSAL STRIKE



ANGLE STRIKE

**IVES**

No. 144 SURFACE BOLT (6 IN. & 9 IN. LENGTHS)

TEMPLATE NO. HB-144-46

DRAWN BY: WBI

DATE: 12-23-80

IVES DIVISION  
LEIGH PRODUCTS, INC.  
P. O. BOX 1887, NEW HAVEN, CONN. 06508

STB