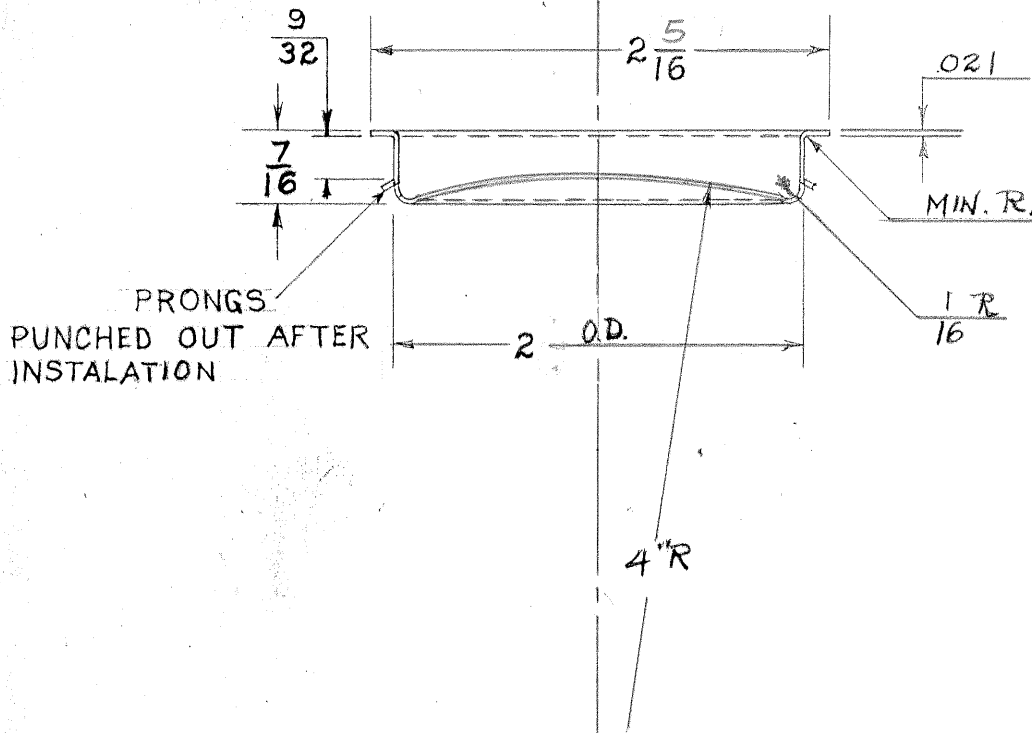
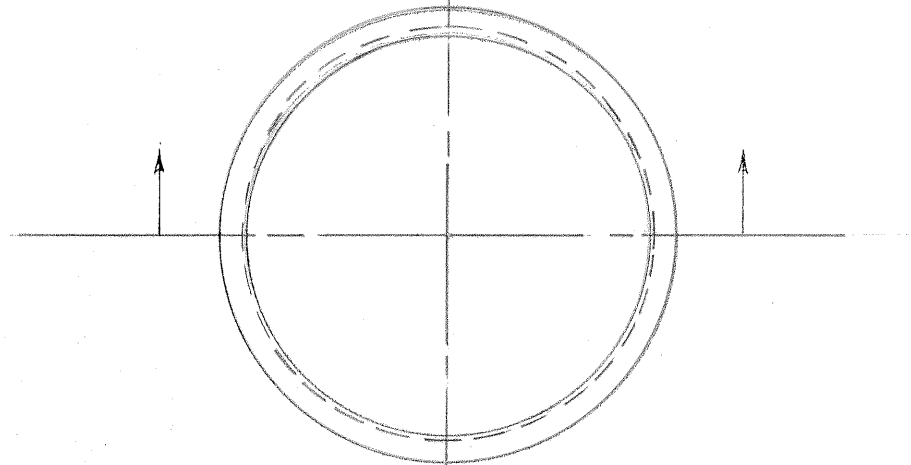


# TEMPLATE DRAWING

HB-220-110

DWG # 2259 A  
 Rev A, new drawing #  
 10/5/99



220 FLUSH SLIDING DOOR PULL		
LETTER	CHANGE	DATE
A		
B		
C		
FJH	8-17-92	FULL SIZE

**IVES DIVISION**  
**LEIGH PRODUCTS, INC.**  
 P. O. BOX 1887, NEW HAVEN, CONN. 06508