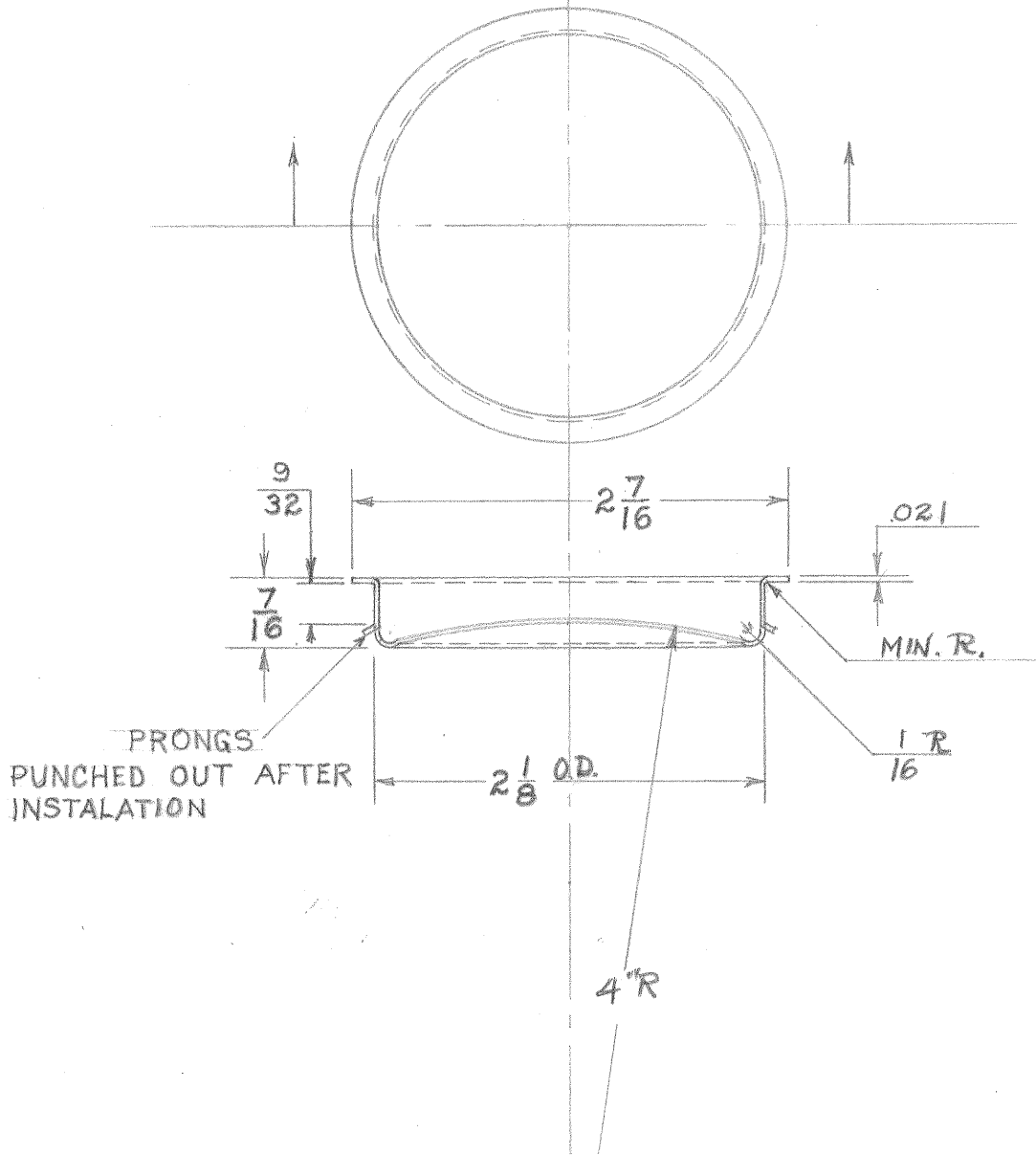


# TEMPLATE DRAWING

DWG. NO. 348



221 FLUSH SLIDING DOOR PULL		
LETTER	CHANGE	DATE
A		
B		
C		
F.C.B.	6-22-54	FULL SIZE

**IVES DIVISION**  
**LEIGH PRODUCTS, INC.**  
 P. O. BOX 1887, NEW HAVEN, CONN. 06508