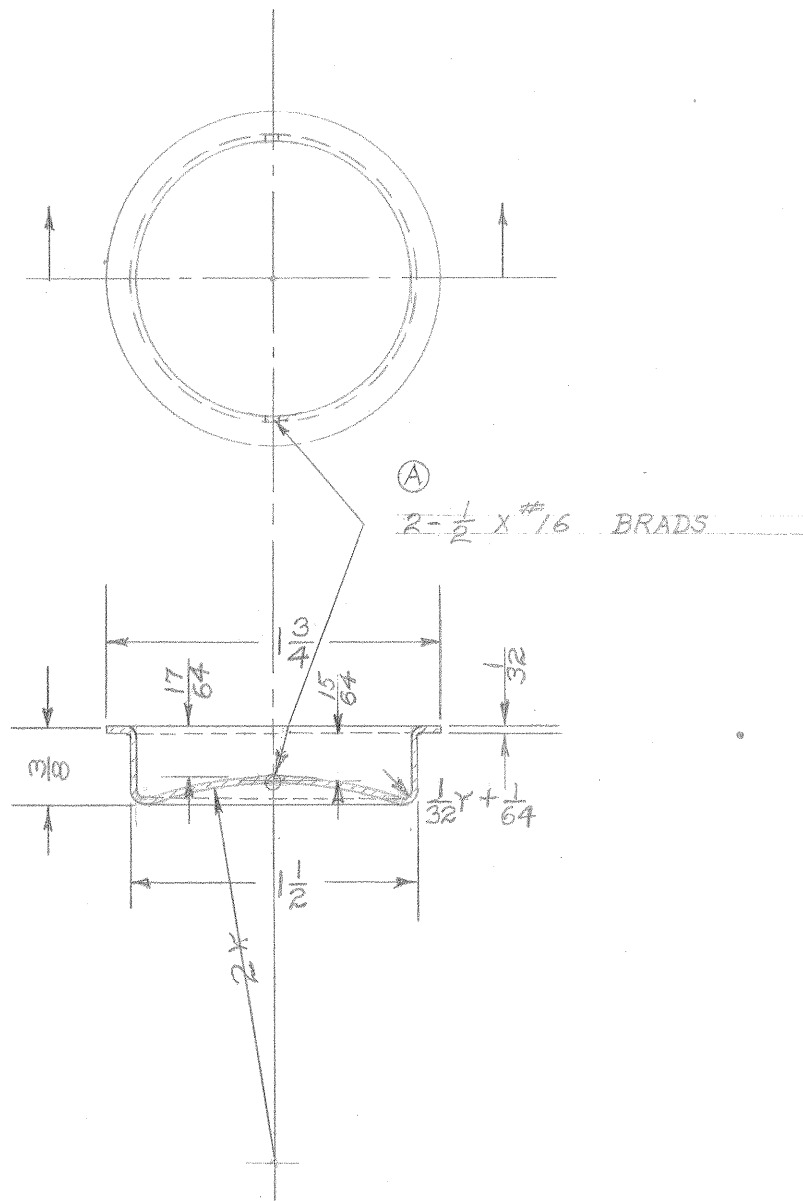


TEMPLATE DRAWING

DWG. NO. 246A



MATERIAL - BRASS

225B • FLUSH SLIDING DOOR PULLS		
LETTER	CHANGE	DATE
A	1/2 X #16 BRADS WAS 5/8 X 4 F.H. SC.	5-31-67 R.S.L.
B		
C		
F.C.B.	6-15-49	FULL SIZE
IVES DIVISION LEIGH PRODUCTS, INC. P. O. BOX 1887, NEW HAVEN, CONN. 06508		