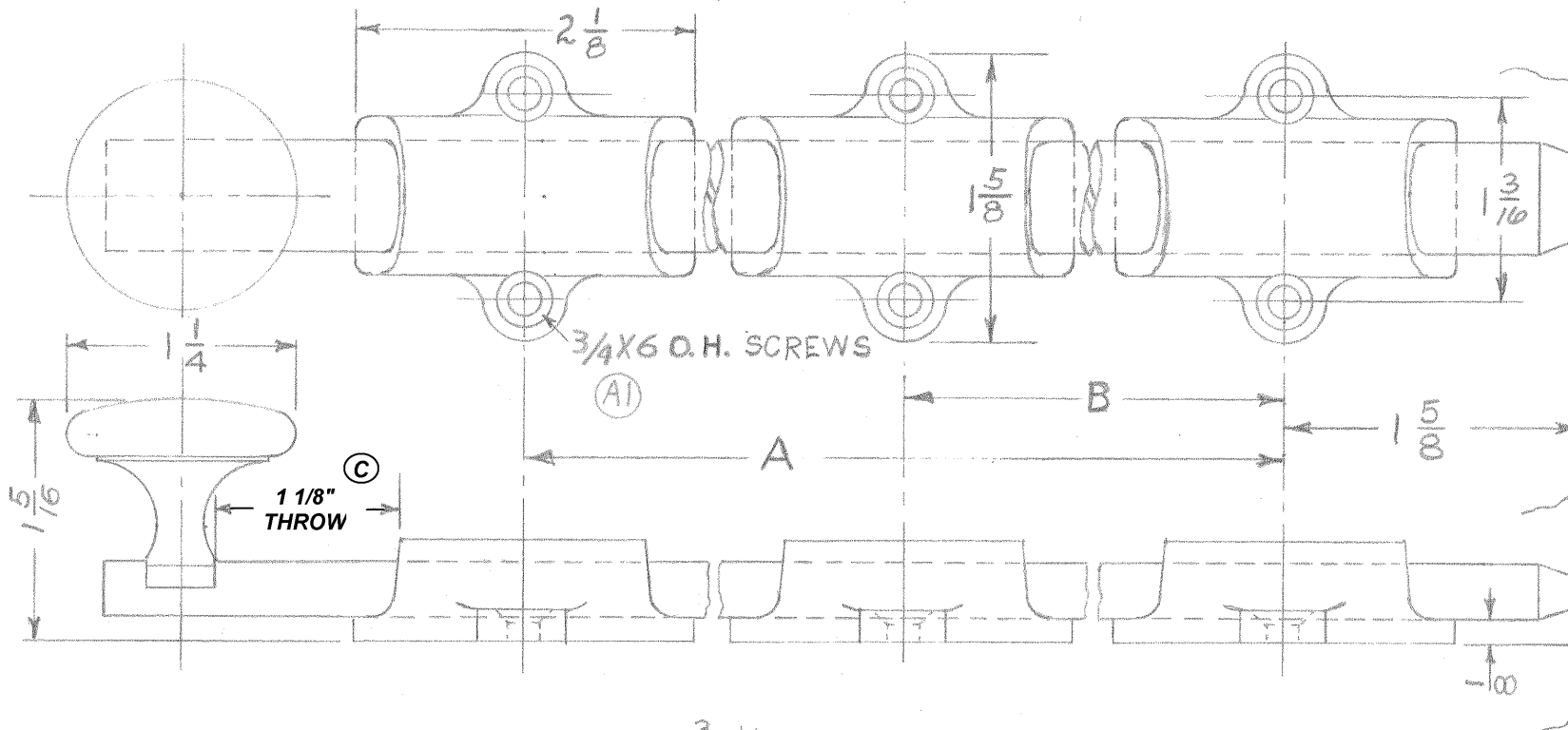
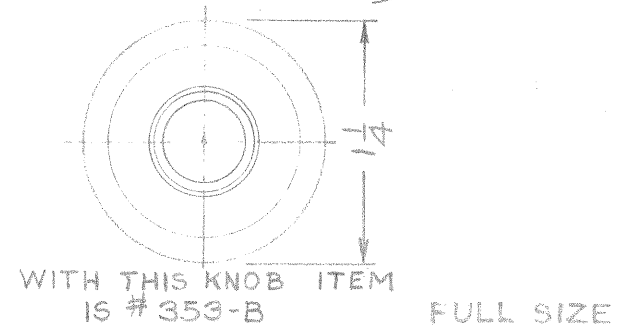
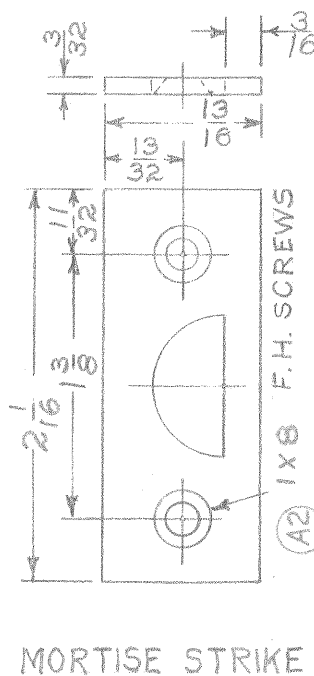
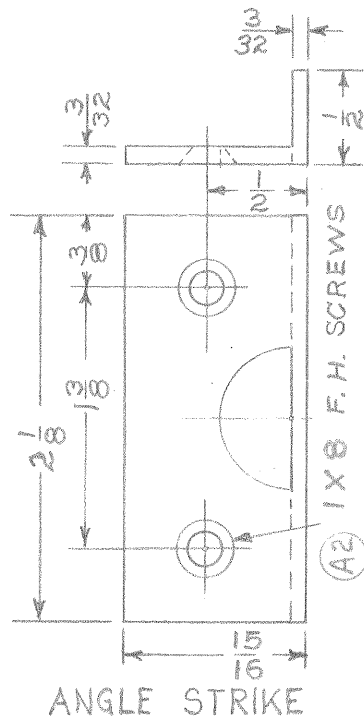
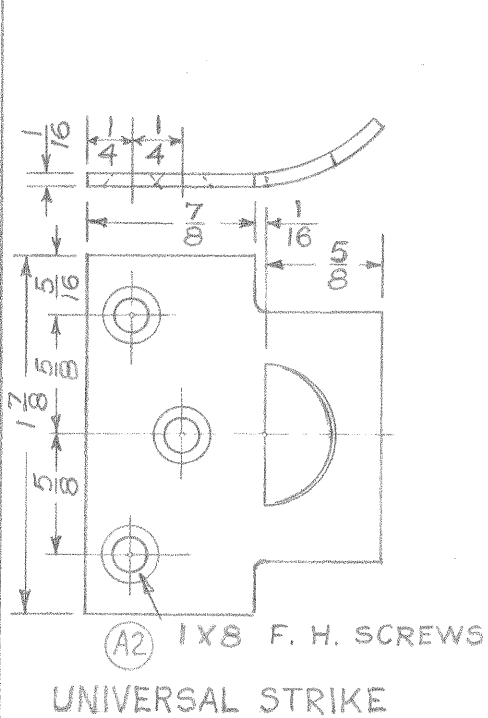


TEMPLATE DRAWING

DWG. NO. 220C



BOLT LENGTH	A	B
8"	4"	
12"	8"	
18"	14"	7"
24"	20"	10"
30"	26"	13"
36"	32"	16"
42"	38"	19"



253 B SURFACE BOLT
353 B SURFACE BOLT

LETTER	CHANGE	DATE
A	A1, 3/4 X 6 O.H. WAS 3-32 F.H. A2, 1 X 8 WAS 8-32	6-1-78
B	GUIDE DIMENSIONS REVISED TO CURRENT PART	8-30-95
C	1 1/8" WAS 1"	3-10-03

F.C.B. 11-21-55

IVES DIVISION
LEIGH PRODUCTS, INC.
P. O. BOX 1887, NEW HAVEN, CONN. 06508