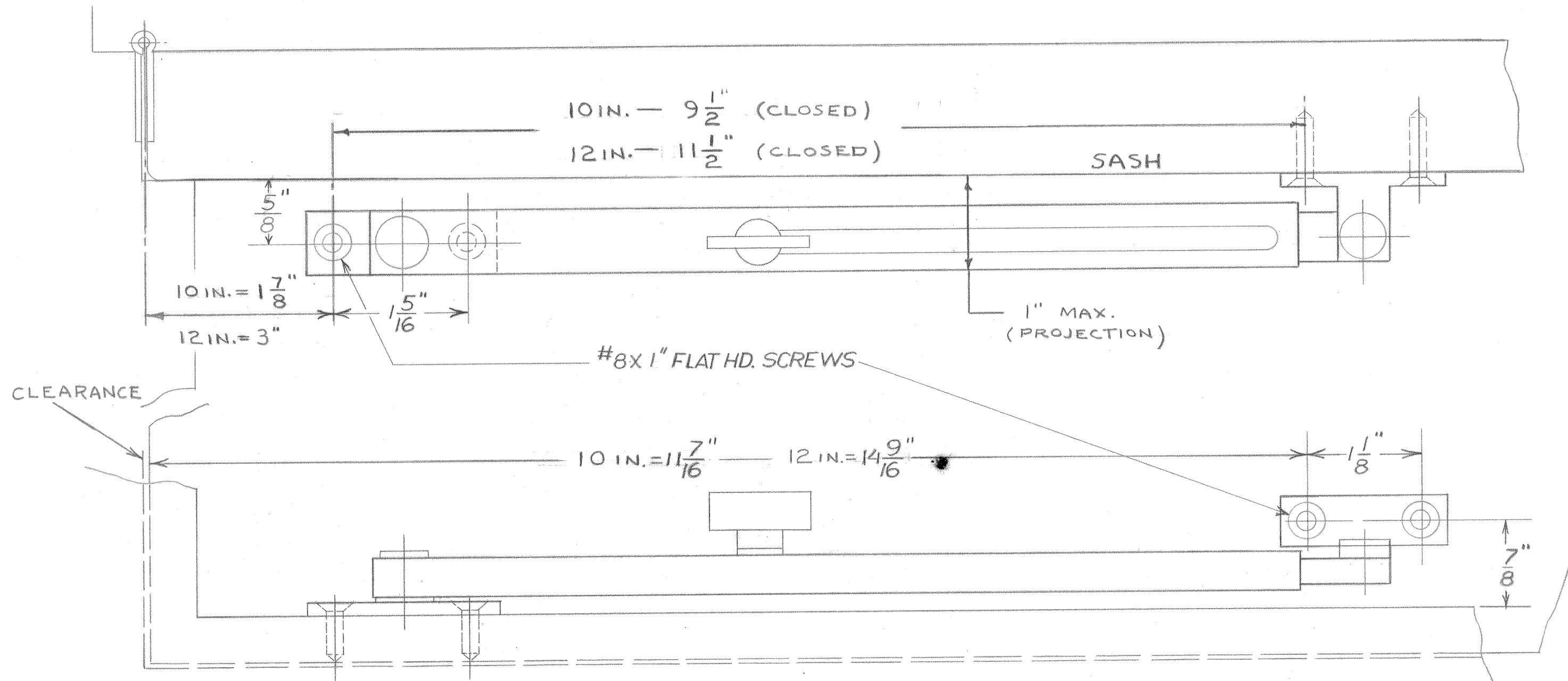


TEMPLATE DRAWING

DWG. No. 537-B



ADJUSTER SIZE	STROKE	MAX. OPENING
10 IN. ADJUSTER	5 1/16"	105°
12 IN. ADJUSTER	6 1/16"	110°

288 B (10 IN. & 12 IN.) FRICTION CASEMENT ADJUSTER		
LETTER	CHANGE	DATE
A	CLOSED OPENED DIMS. CORRECTED	4-4-85 WBI
B	PROJECTION, STROKE & MAX. OPENING ADDED	9-5-86 WBI
C		

R.C.K. 6-11-62 FULL SIZE

IVES DIVISION
LEIGH PRODUCTS, INC.
P. O. BOX 1887, NEW HAVEN, CONN. 06508