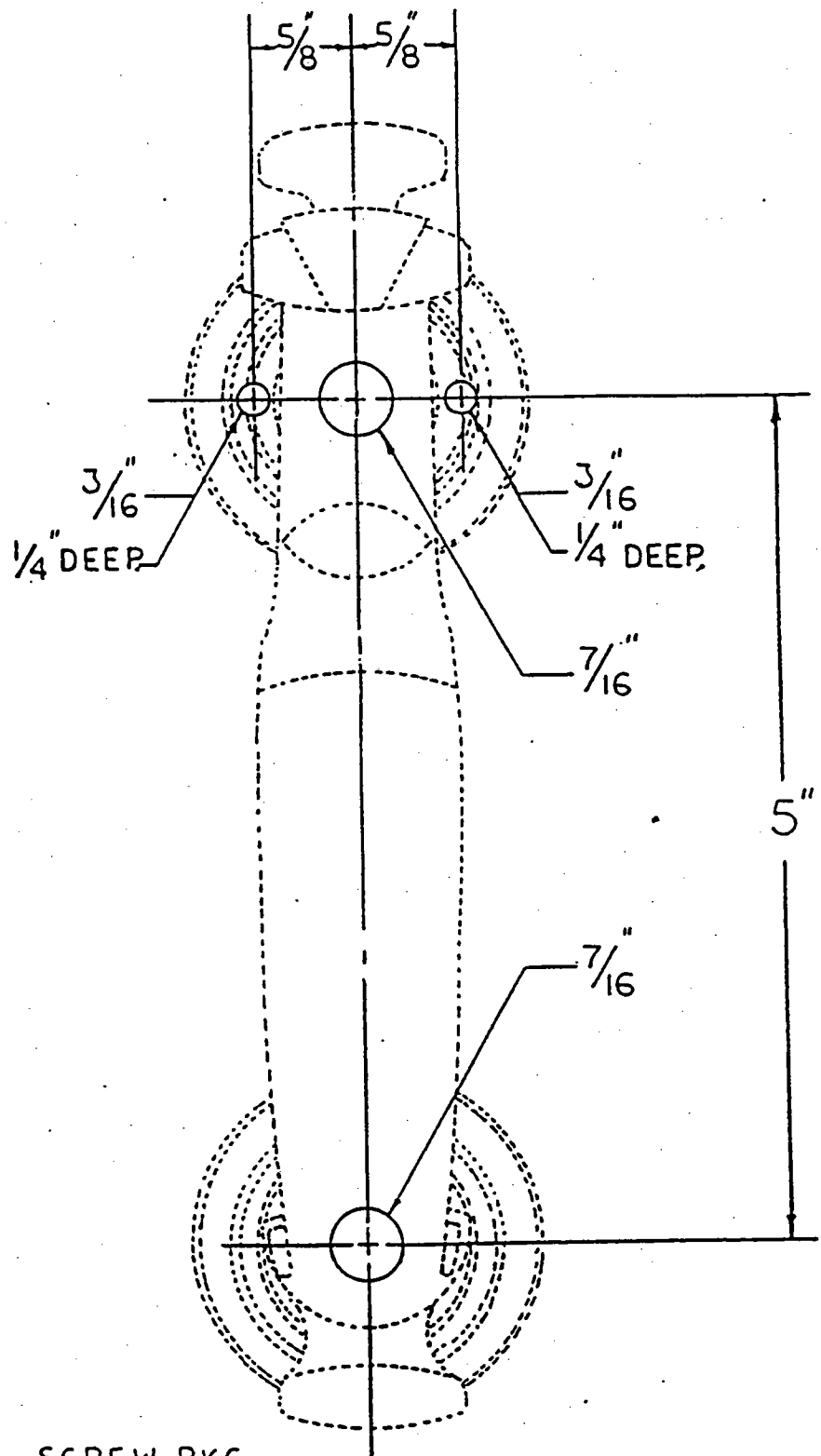


S KNOCKER 3115
TEMPLATE DRAWING



SCREW PKG.
2 EA. 10-24 X $1\frac{7}{8}$ O.H. SLOTTED M.S.
2 EA. 1B# 10 C'SUNK WASHER



S- DOOR KNOCKER

TEMPLATE NO. HB-3115-82
DRAWN BY: E.R.L. DATE: 3-31-86.

THE H. B. IVES CO.
P.O. BOX 1887, NEW HAVEN, CONN. 06508