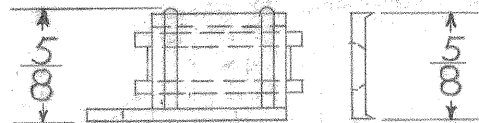
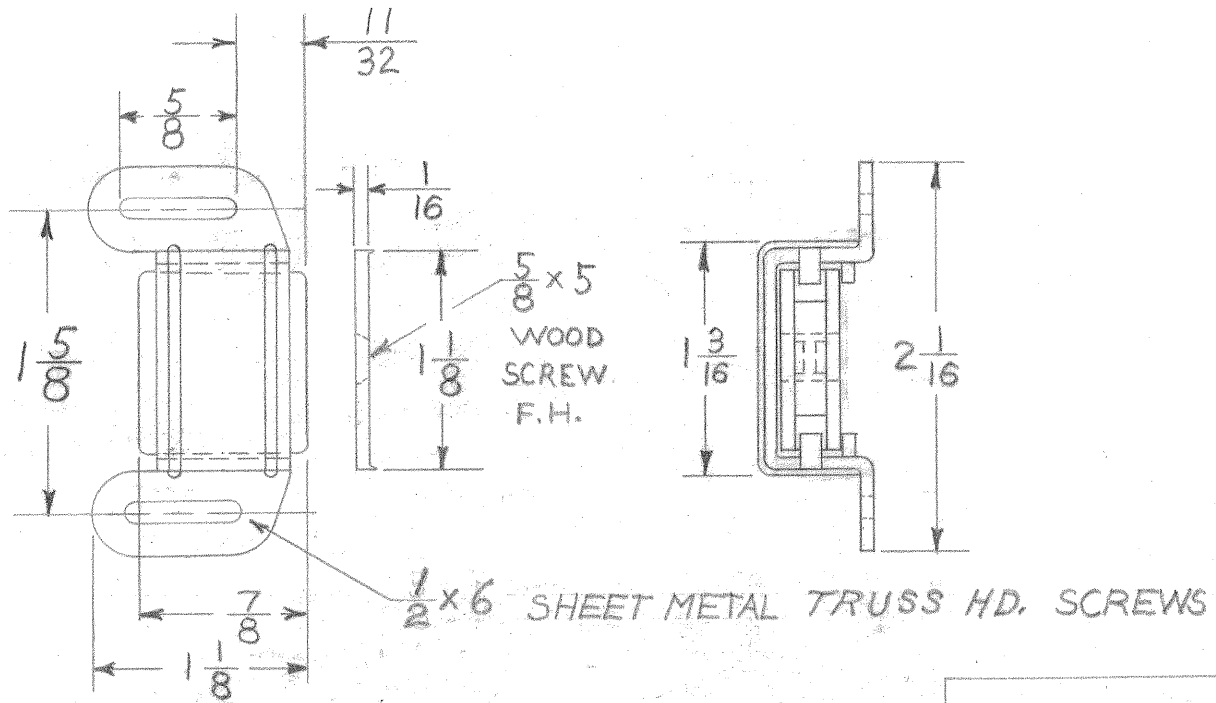


T.M.S. - CASE  $\frac{1}{2}$  X 6-32 TRUSS HD.  
 STRIKE  $\frac{1}{2}$  X 5-40 F.H.



325 MAGNETIC CATCH

LETTER	CHANGE	DATE
A	OLD STYLE TO NEW STYLE	1-9-64
B		
C		
R.C.K. 8-28-60 FULL SIZE		
H.B.IVES CO. NEW HAVEN, CT.		