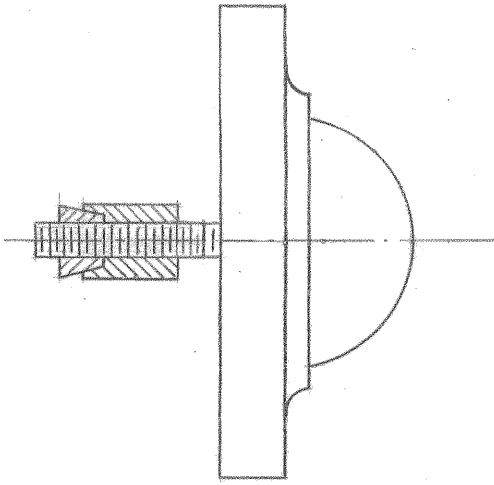


DO NOT SCALE

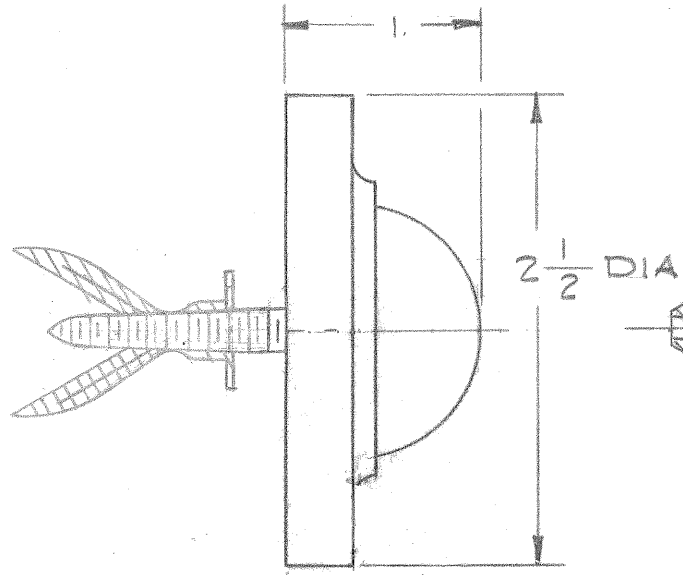
TEMPLATE DRAWING

STB

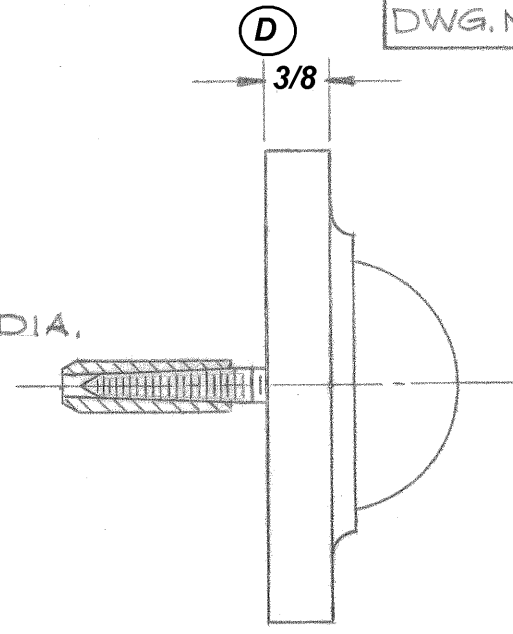
DWG. NO 610D



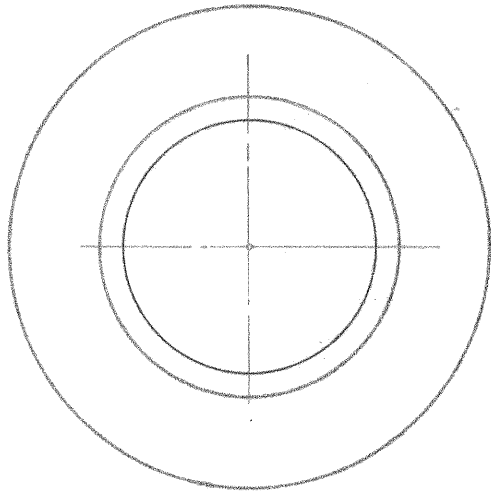
#403



#402



#401



TYPICAL VIEW

ON THE 401

USE (1) 1x#10 FLAT HD. SHEET METAL SCR WITH PLASTIC ANCHOR, DRILL 1/4 HOLE 1/4 DEEP.

ON THE 402

USE (1) 1/4x#8 OVAL HEAD WOOD SCREW AND PLASTIC DRYWALL ANCHOR DRILL 5/16" HOLE

ON THE 403

USE (1) 1x#10-24 FLAT HD. MACH. SCR. WITH #10-24 EXPANSION SHIELD. 3/8 DRILL, 1 DEEP.

(B)

401 - 402 - 403 WALL - BUMPERS.		
LETTER	CHANGE	DATE
A	TOGGLER WAS TOGGLE BOLT	9-22-75
B	ADDED DRILL DIMEN	8-11-78
C	REVISED SCREW AND ANCHOR ON 402	12-16-86
R.H.C. - 12-12-63 - FULL SIZE		

D 3/8 WAS 11/32 3/12/03

IVES DIVISION
LEIGH PRODUCTS, INC.
P. O. BOX 1887, NEW HAVEN, CONN. 06508