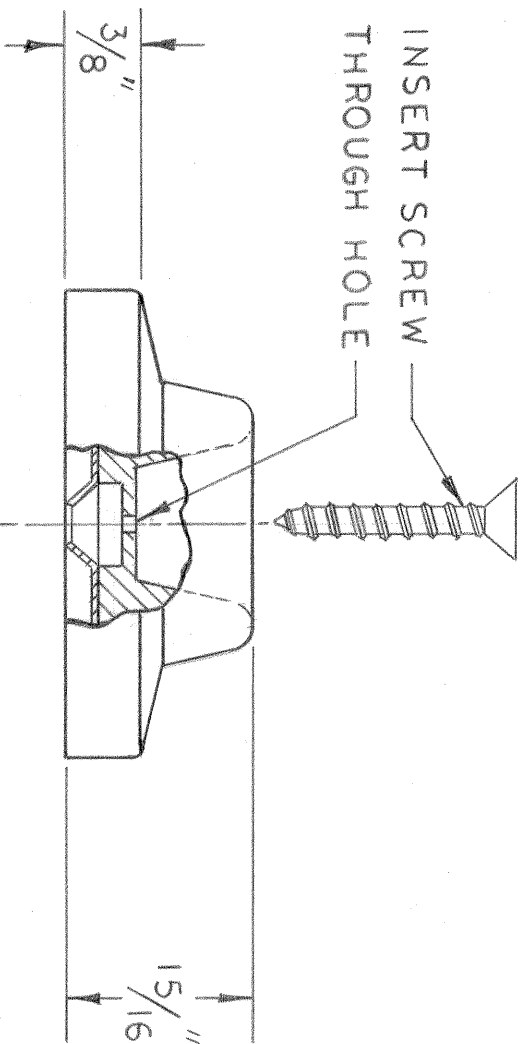
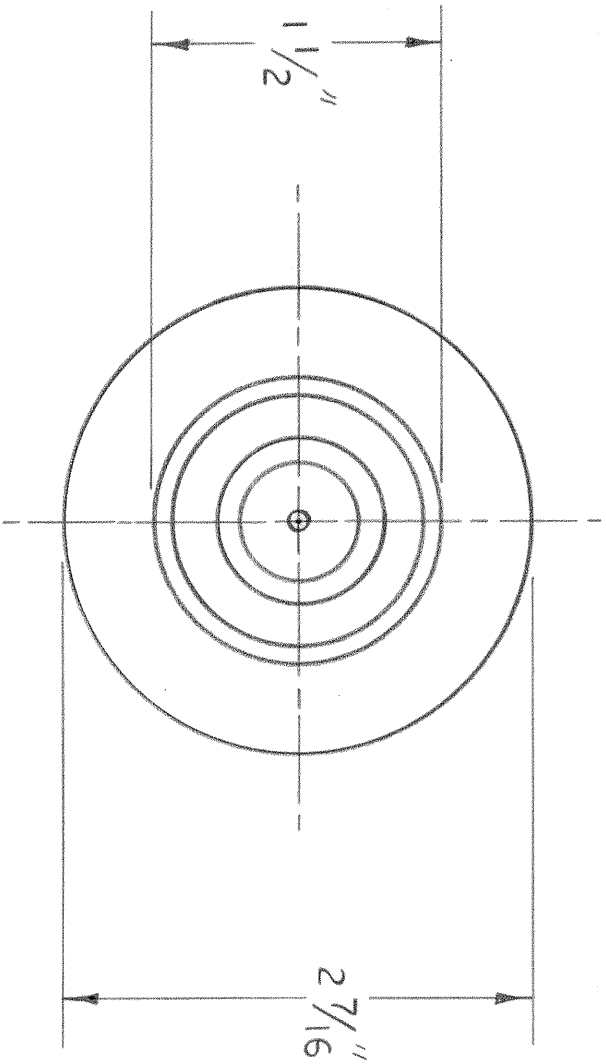


# TEMPLATE DRAWING

DWG # 2237 A  
Rev A, new drawing #  
10/5/99



ON THE 406  $\frac{1}{2}$ "  
USE (1) #10 X 1" FLAT HEAD SHEET METAL SCREW WITH  
PLASTIC ANCHOR-DRILL  $\frac{1}{4}$ " HOLE,  $\frac{1}{4}$ " DEEP.

ON THE 407  $\frac{1}{2}$ "  
USE (1) # 8 X  $1\frac{1}{4}$ " OVAL HEAD WOOD SCREW AND PLASTIC  
ANCHOR-DRILL  $\frac{5}{16}$ " HOLE

ON THE 408  $\frac{1}{2}$ "  
USE (1) #10-24 X 1" FLAT HEAD MACHINE SCREW WITH  
#10-24 EXPANSION SHIELD- $\frac{3}{8}$ " HOLE, 1" DEEP.

**IVES**

406  $\frac{1}{2}$ " - 407  $\frac{1}{2}$ " - 408  $\frac{1}{2}$ " WALL BUMPER

TEMPLATE NO. HB-406  $\frac{1}{2}$  - 66

THE H. B. IVES CO.

DRAWN BY: FJH

DATE: 6-22-84

P.O. BOX 1887, NEW HAVEN, CONN. 06508