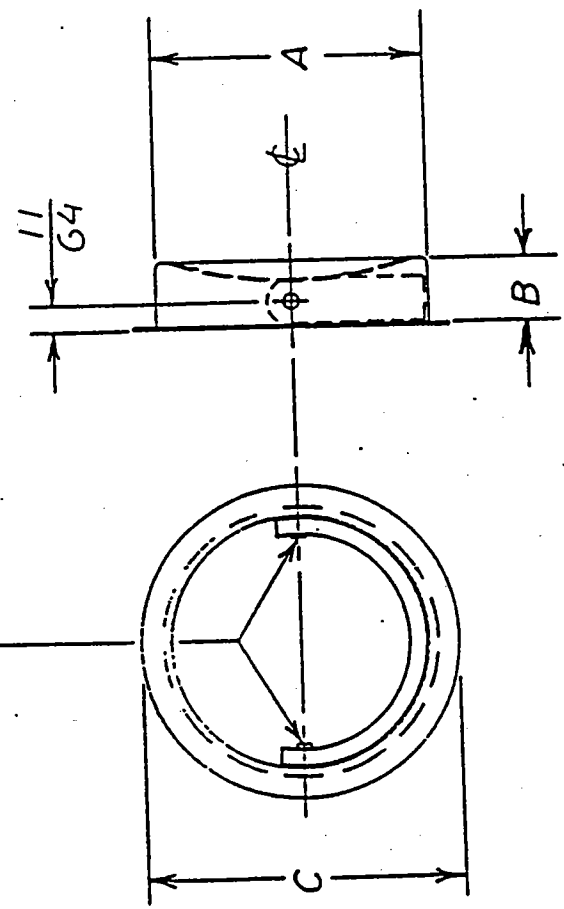


425 426

TEMPLATE DRAWING

DWG. NO. 550

USE [2] $\frac{3}{4}$ X 3 PHILLIPS O. H. WOOD SCREWS



425	A	$1 \frac{1}{2}$	B	$3 \frac{3}{8}$	C	$3 \frac{3}{4}$
426	A	$2 \frac{1}{8}$	B	$7 \frac{7}{16}$	C	$2 \frac{1}{2}$

425 FLUSH RING PULL	
426	
LETTER	CHANGE
A	
B	
C	
R.C.K. 10-29-62 SCALE-FULL	

IVES DIVISION
LEIGH PRODUCTS, INC.