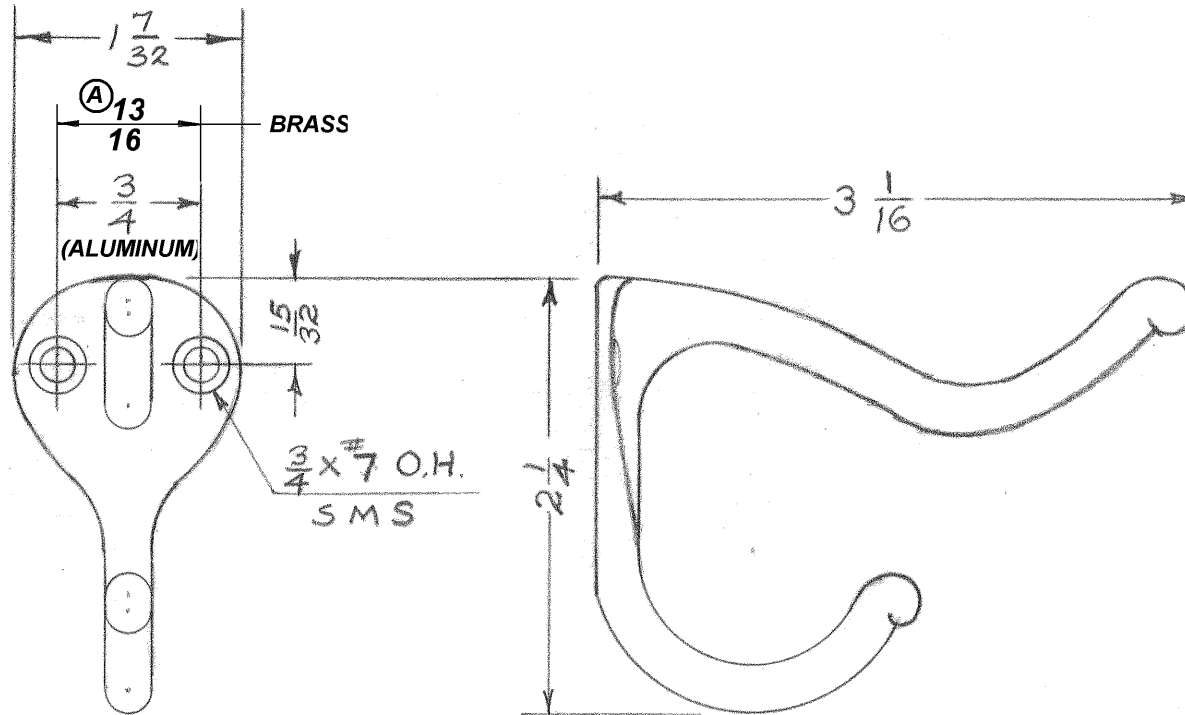


TEMPLATE DRAWING

DWG. NO. 132A



571 COAT HANGER

LETTER	CHANGE	DATE
A	ADDED 13/16	3/25/03
B		
C		

F.C.B. 2-24-58 FULL SIZE

IVES DIVISION
LEIGH PRODUCTS, INC.
P. O. BOX 1887, NEW HAVEN, CONN. 06508