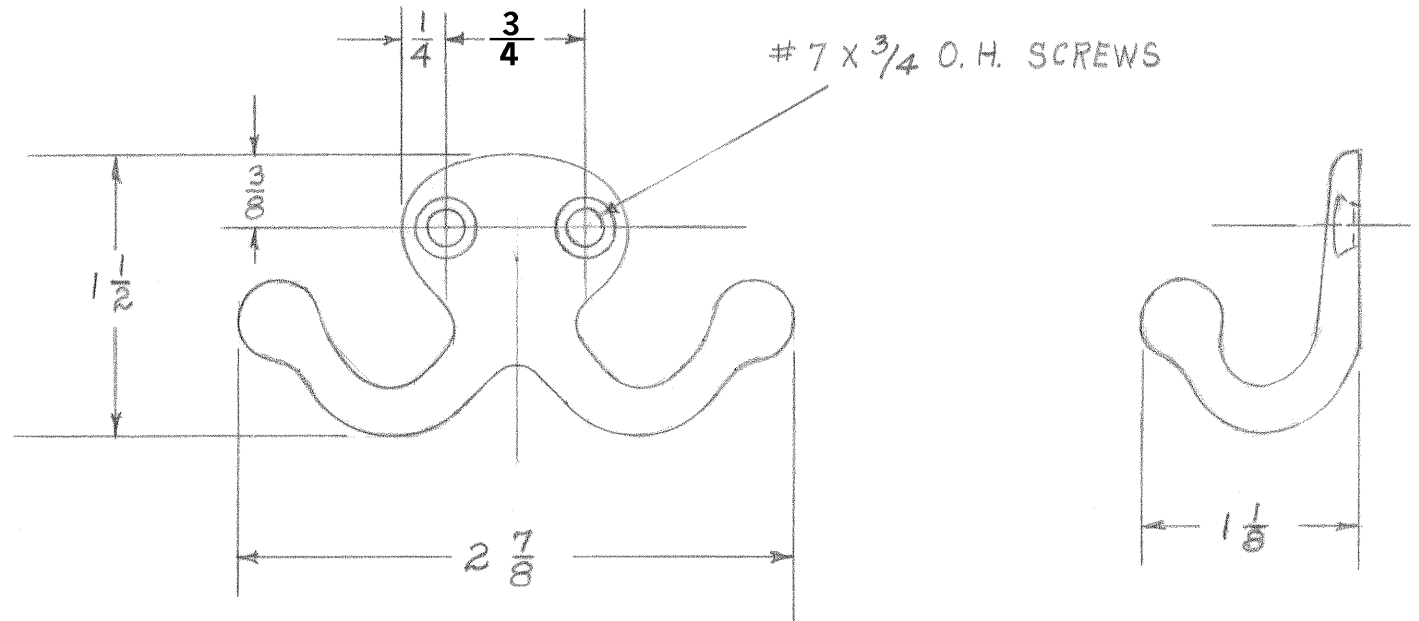


TEMPLATE DRAWING

DWG. NO. 301A



582 B WARDROBE HOOK

LETTER	CHANGE	DATE
A	3/4 WAS 23/32	11/1/00
B		
C		

F.C.B. 12-8-50 FULL SIZE

IVES DIVISION
LEIGH PRODUCTS, INC.
P. O. BOX 1887, NEW HAVEN, CONN. 06508