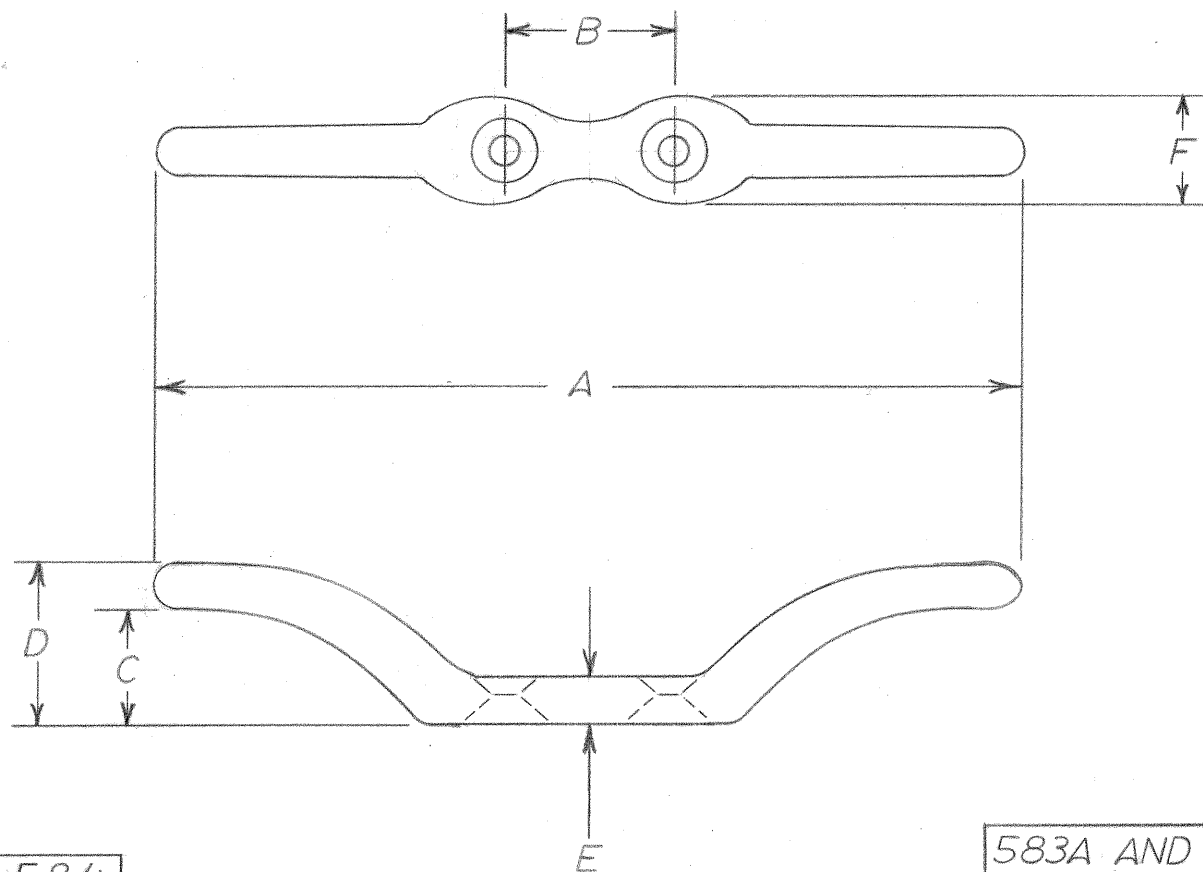


TEMPLATE DRAWING

DWG. NO. 565

USE [2] 1 X 8 O.H. WOOD SCREWS OR NO. 8 MACH. SCREW FOR THE 583
AND 1 1/4 X 12 F.H. WOOD SCREWS OR NO. 12 MACH. SCREW FOR THE 584



	NO. 583	NO. 584
A	4 1/2	6
B	13/16	1 1/16
C	5/8	15/16
D	13/16	1 3/16
E	1/4	5/16
F	9/16	3/4

583A AND 584A LINE CLEAT
TEMPLATE

LETTER	CHANGE	DATE
A		
B		
C		

R.C.K. 1-14-63 SCALE 1:1

IVES DIVISION
LEIGH PRODUCTS, INC.
P. O. BOX 1887, NEW HAVEN, CONN. 06508