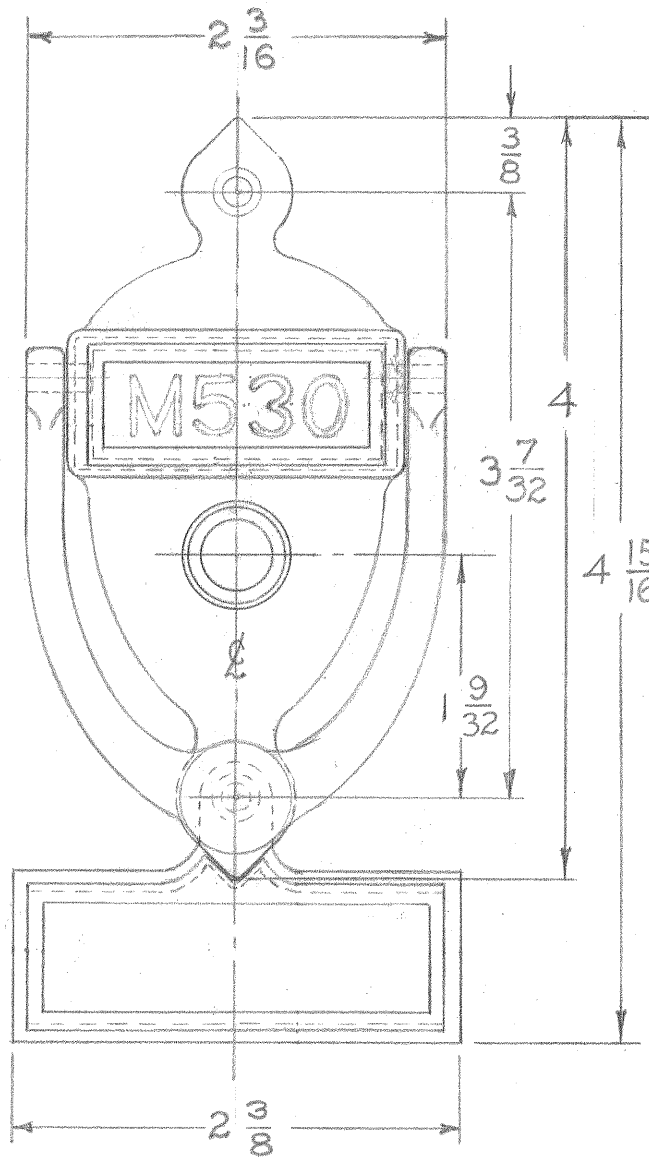


TEMPLATE DRAWING

DWG. NO. 308



#6 X 3/4 O. H. WOOD SCREWS
OR SHEET METAL SCREWS
OR #6-32 X 1/2 O. H. MACH. SCREWS

1/2 DIA. HOLE

#700 VIEWER FOR DOORS
1 1/16 TO 1 3/4 THICK
#701 VIEWER FOR DOORS
1 3/4 TO 2 3/8 THICK

761 TO 764 DOOR KNOCKERS
WITH 700 OR 701 VIEWER

LETTER	CHANGE	DATE
A		
B		
C		
F.C.B.	2-20-51	FULL SIZE

IVES DIVISION
LEIGH PRODUCTS, INC.
P. O. BOX 1887, NEW HAVEN, CONN. 06508