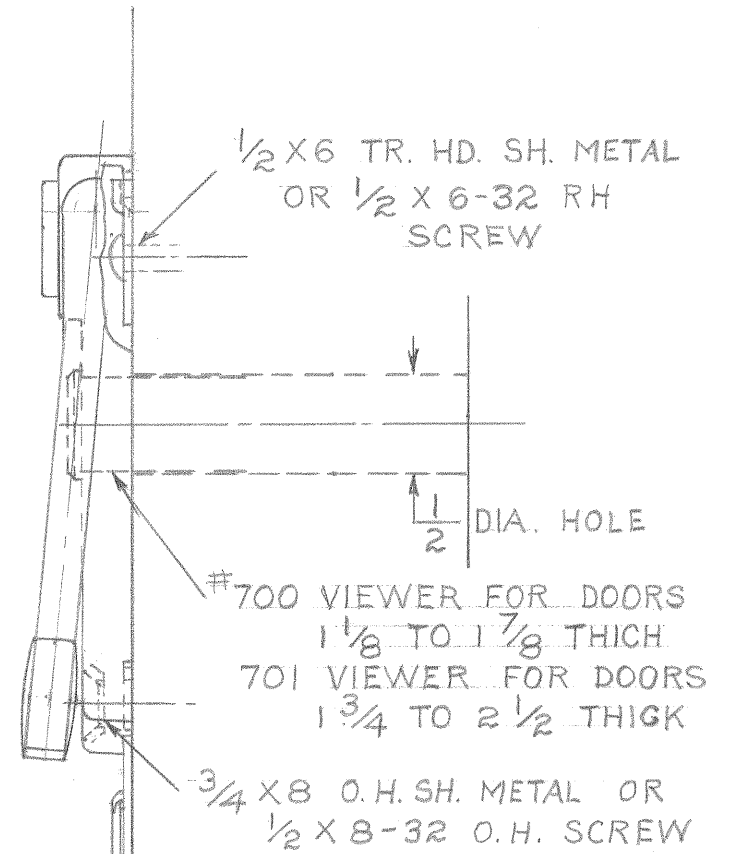
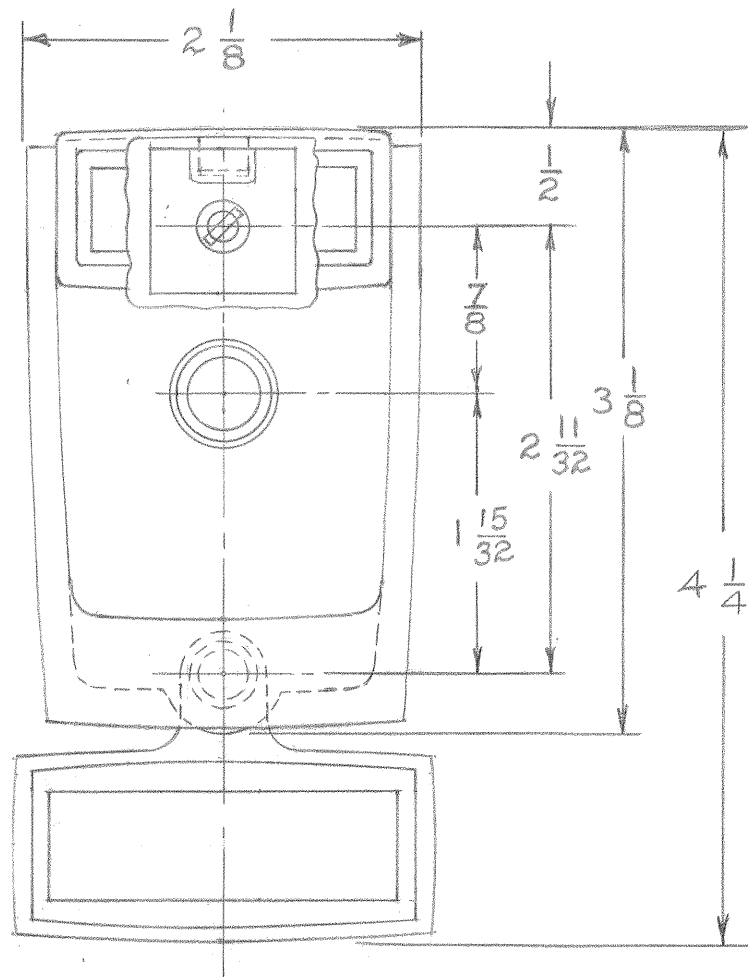


TEMPLATE DRAWING

DWG. NO. 594



771 TO 774 DOOR KNOCKERS WITH 700 OR 701 VIEWER

LETTER	CHANGE	DATE
A		
B		
C		
F.C.B. 10-24-63 FULL SIZE		

IVES DIVISION
LEIGH PRODUCTS, INC.
 P. O. BOX 1887, NEW HAVEN, CONN. 06508