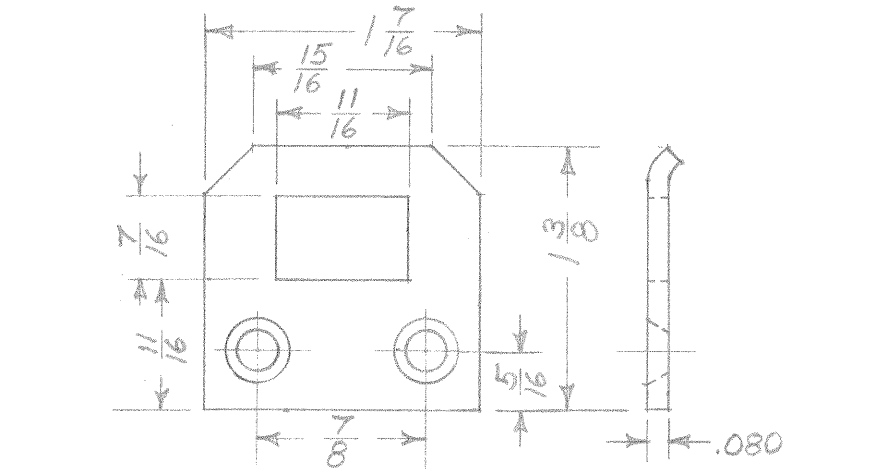
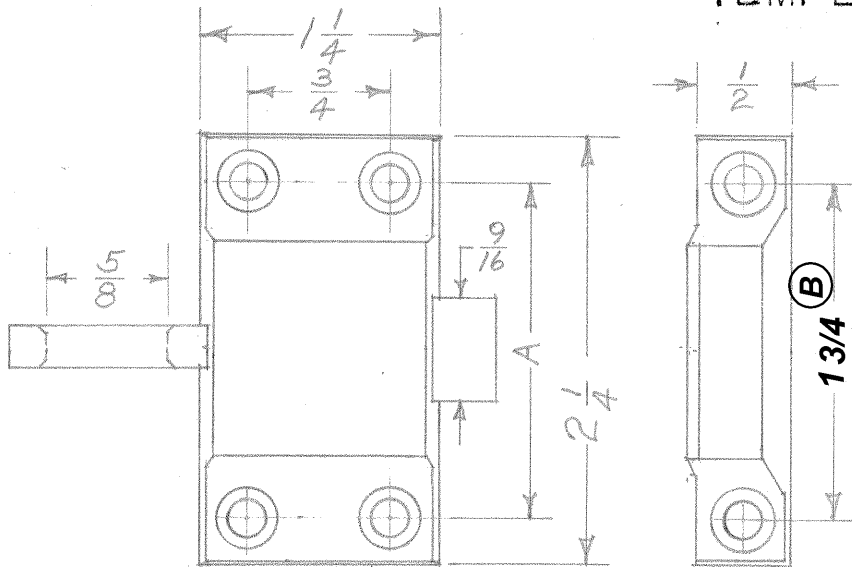


TEMPLATE DRAWING

DWG. NO. **283 B**

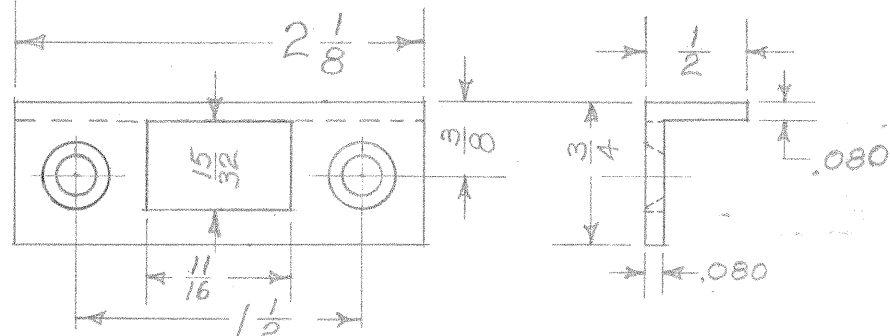
UNIVERSAL STRIKE



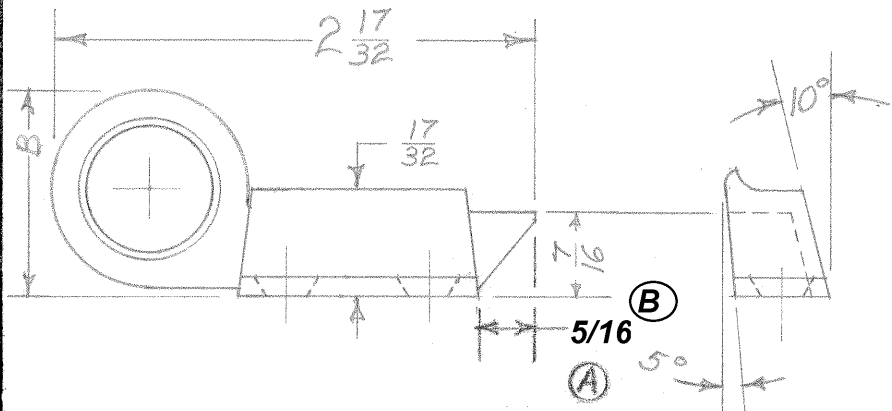
CASE

	A	B
BRASS	1 ³ / ₄	1
ALUM.	1 ¹³ / ₁₆	1 ³ / ₃₂

RIM STRIKE



ANGLE STRIKE



SCREW DATA

FURNISHED WITH $\frac{3}{4}$ X 6 SCREWS
TMS APPLIC. $\frac{1}{2}$ X 6-32 ON REQUEST

REVISIONS				MATERIAL			PART NO. AND NAME	
C							80 TRANSOM CATCH	
B	1 3/4 WAS 1 23/32, 5/16 WAS 3/8	11/1/02	SL	DIMENSIONAL TOLERANCES UNLESS OTHERWISE SPECIFIED			TEMPLATE	
A	3/8 ADDED	3-11-71	RSL	XXX	XX	ANG.	DRAWN	R.S.L. DATE 8-8-68
SYM.	DESCRIPTION	DATE	DWN.	±.010	±.020	±1°	APPROVED	DATE
				NO. REQ'D	SCALE 1/1		IVES DIVISION LEIGH PRODUCTS, INC. P. O. BOX 1887, NEW HAVEN, CONN. 06508	