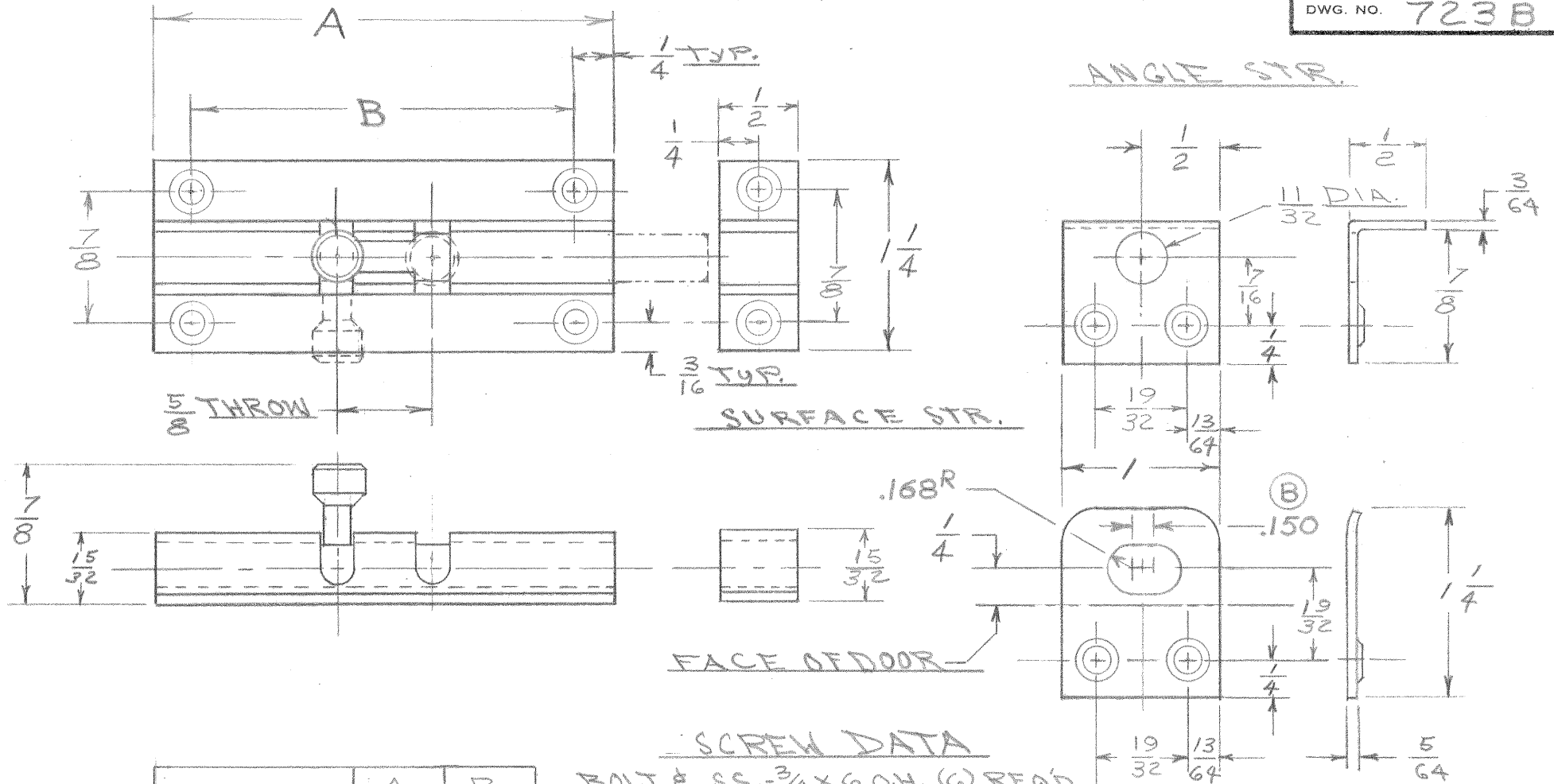


TEMPLATE DRAWING

DWG. NO. 723B



SCREW DATA

BOLT & SS. - $\frac{3}{4} \times 6$ O.H. (6) REQ'D.

A.S. & U.S. - $\frac{3}{4} \times 5$ F.H. (2) REQ'D.

(A)

FOR T.M.S. APPLIC. ON REQUEST

BOLT & SS. - $\frac{1}{2} \times 6 - 32$ O.H. (6) REQ'D.

A.S. & U.S. - $\frac{1}{2} \times 6 - 32$ F.H. (2) REQ'D.

	A	B
87 BOLT	$2\frac{1}{4}$ "	$1\frac{3}{4}$ "
88 BOLT	3"	$2\frac{1}{2}$ "

REVISIONS				MATERIAL			PART NO. AND NAME	
C							87 & 88 SECURITY BOLT	
B	ADDED .150	3-13-79	ROK	DIMENSIONAL TOLERANCES UNLESS OTHERWISE SPECIFIED			TEMPLATE	
A	was #6	12/2/68	STP	XXX	XX	ANG.	DRAWN J.P.	DATE 9-4-68
SYM.	DESCRIPTION	DATE	DWN.	±.010	±.020	±1°	APPROVED	DATE
				NO. REQ'D	SCALE Full		IVES DIVISION LEIGH PRODUCTS, INC. P. O. BOX 1887, NEW HAVEN, CONN. 06508	