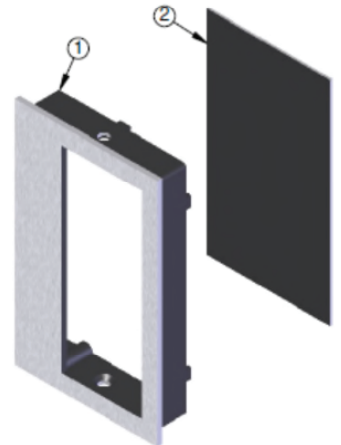


DETAIL B



FRONT ISO. VIEW



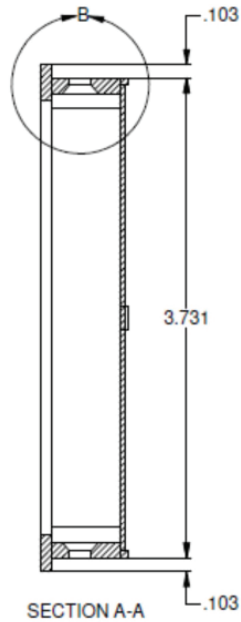
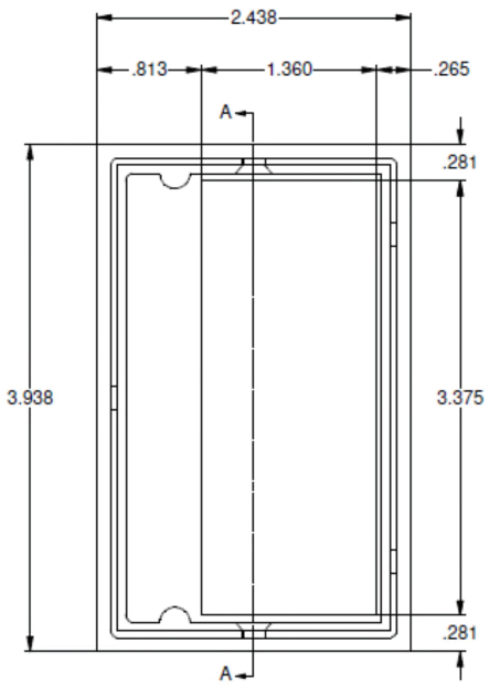
EXPLODED ISO. VIEW



BACK ISO. VIEW

NOTES:

1. UNLESS OTHERWISE STATED, ALL DIMENSIONS ARE OUTSIDE DIMENSIONS.
2. BREAK AND DEBURR ALL SHARP EDGES.



SECTION A-A

IVES

962 FLUSH PULL TEMPLATE



TEMPLATE NUMBER: 112438(a)

Date: 09-06-18