

## 990

### SLIDING DOOR PULL

For Passage (non-locking) functions.

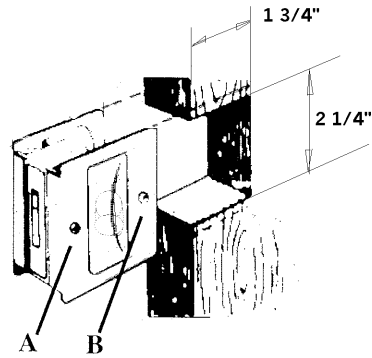
Fits doors 1<sup>3</sup>/<sub>8</sub>" to 1<sup>1</sup>/<sub>2</sub>" thick

### INSTALLATION INSTRUCTIONS

This pull is assembled for doors sliding open left to right.  
 For doors opening right to left, see instructions below for reversing plates.

**TOOLS REQUIRED:** Saw, <sup>5</sup>/<sub>16</sub>" Drill bit, flat head screwdriver, chisel, awl or pencil.

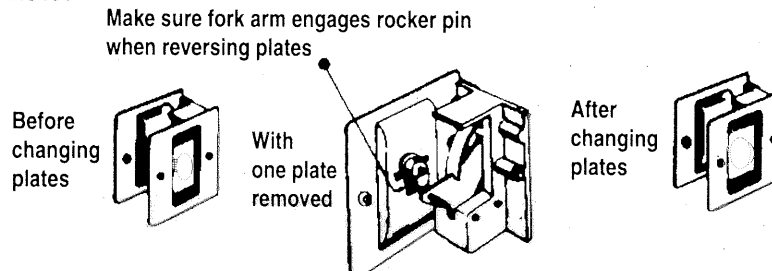
1. Make cutout in door 2<sup>1</sup>/<sub>4</sub>" high by 1<sup>3</sup>/<sub>4</sub>" deep and slide lock into position.
2. Fasten machine screw (A) and adjust for door thickness, then insert wood screw (B) and tighten.



### TO ASSEMBLE AFTER REVERSING PLATES

To reverse outside plates on lock assembly (see illustration below):

1. Remove machine screw on each side.
2. Change plates from side to side making sure that fork arm engages rocker pin.
3. Re-assemble.



**IVES**

### 990 SLIDING DOOR PULL

TEMPLATE NO. HB-990-124

DRAWN BY: FJ HARRIS

DATE: 11-9-94

H.B. IVES

P.O. BOX 1887, NEW HAVEN, CONN. 06508