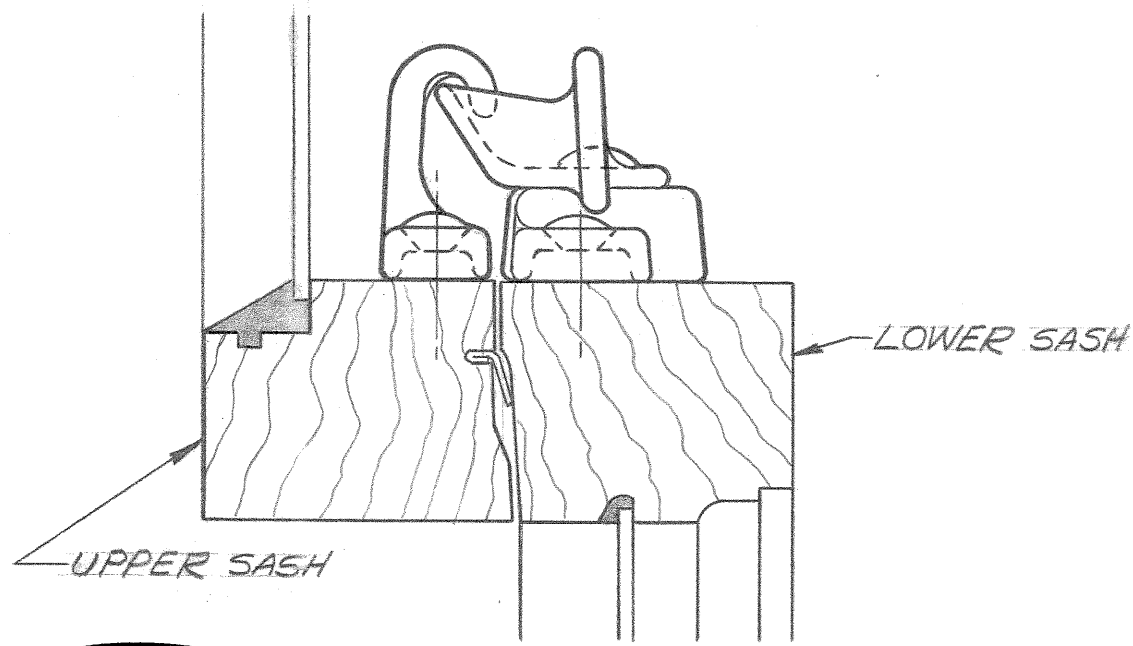
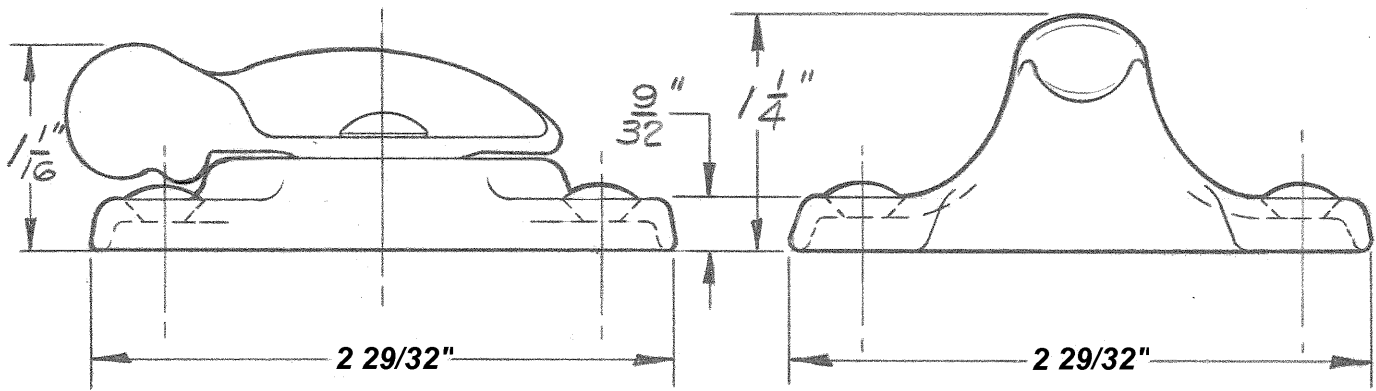
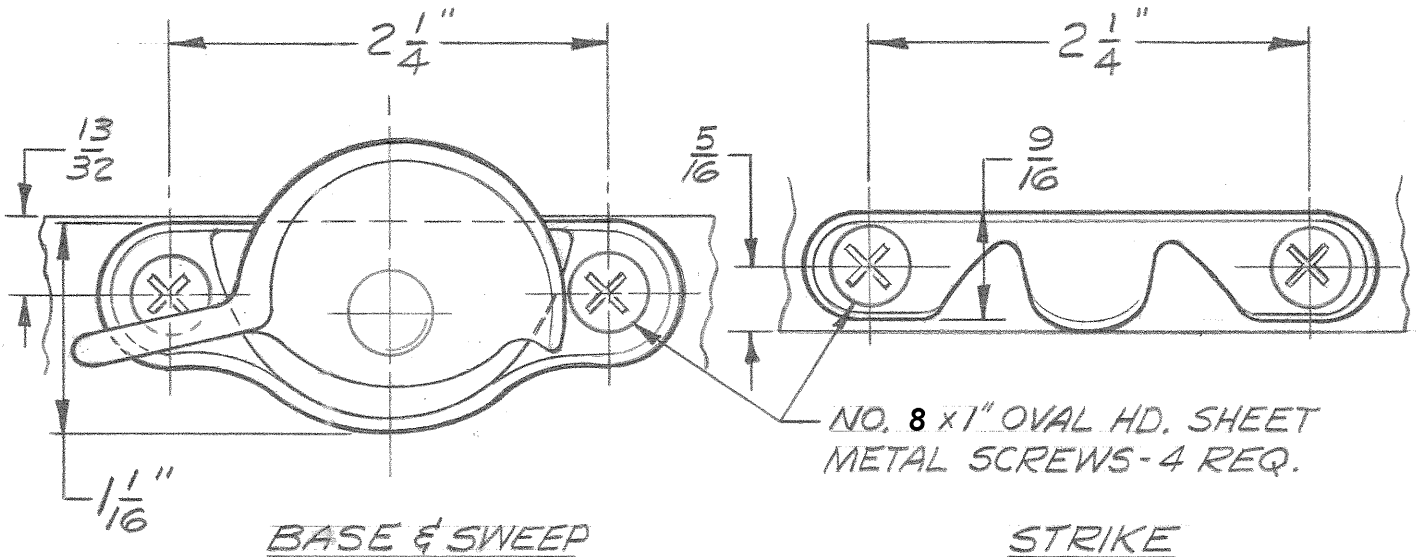


# TEMPLATE DRAWING



NO. 9 SASH FASTENER

TEMPLATE NO. HB-9-07  
DRAWN BY: C. S. C.      DATE: 4-17-70

IVES DIVISION  
LEIGH PRODUCTS, INC.  
P. O. BOX 1887, NEW HAVEN, CONN. 06508