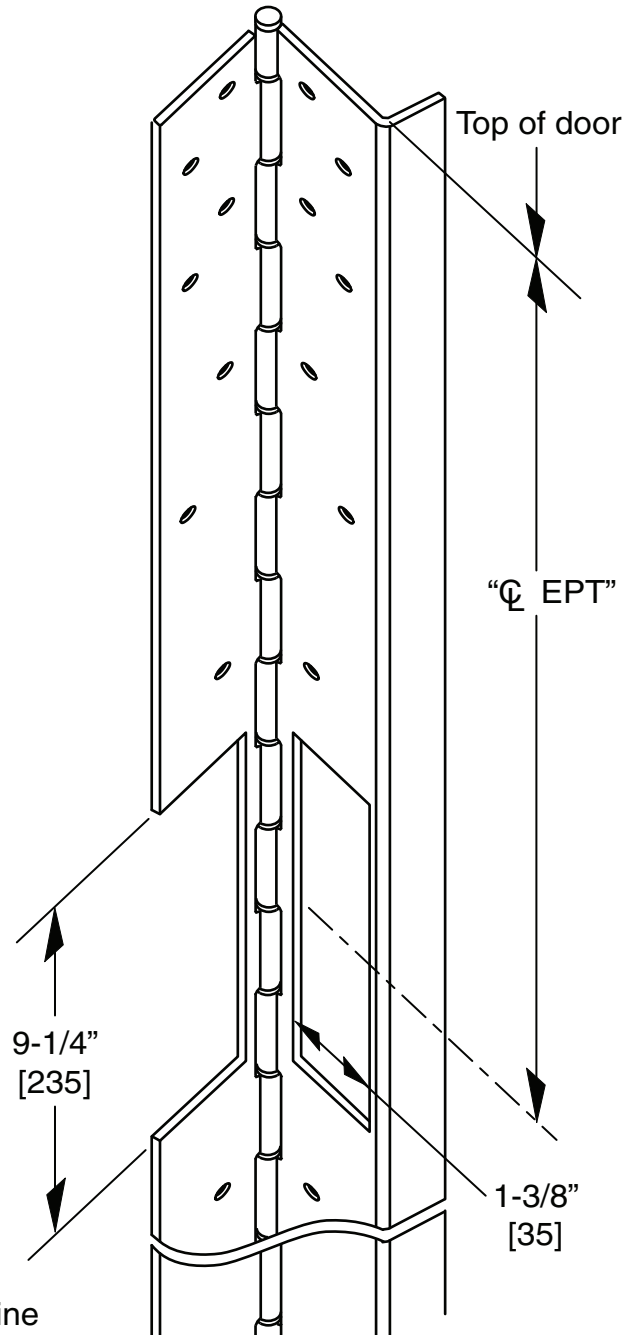
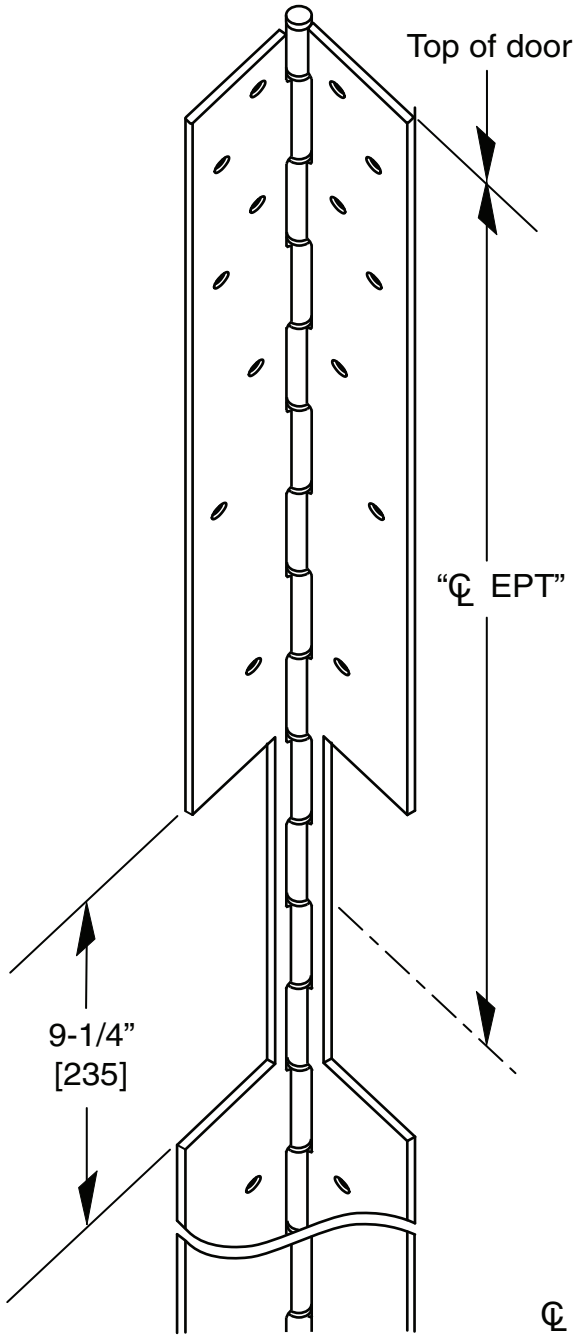


600/700

705/715



Q = Center line

- 83" Hinge "Q EPT" = 30" [762]
- 85" Hinge "Q EPT" = 32" [813]
- 95" Hinge "Q EPT" = 42" [1067]
- 120" Hinge "Q EPT" = 67" [1702]

715 Model Shown

**Note:** Refer to Von Duprin EPT template 40250 for specific EPT cut-out dimensions

**IVES**

EPT Location for 600/700/705/715  
EPTConcealed Continuous  
Hinge Template



© 2015 Allegion  
INST\_PB-FM-EPT  
Rev. 04/15-c

**Note:** Dimensions in [ ] are millimeters

Template Number INST\_PB-FM-EPT(C)