



FB32

IVES

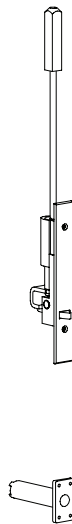
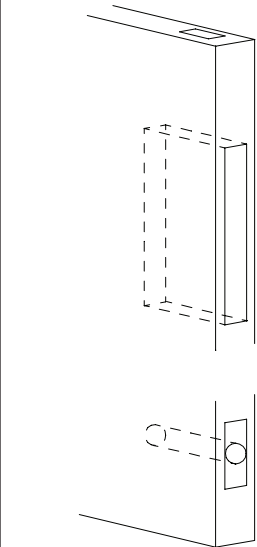
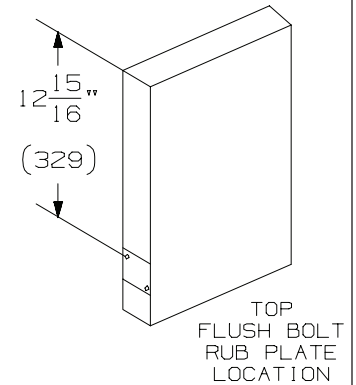
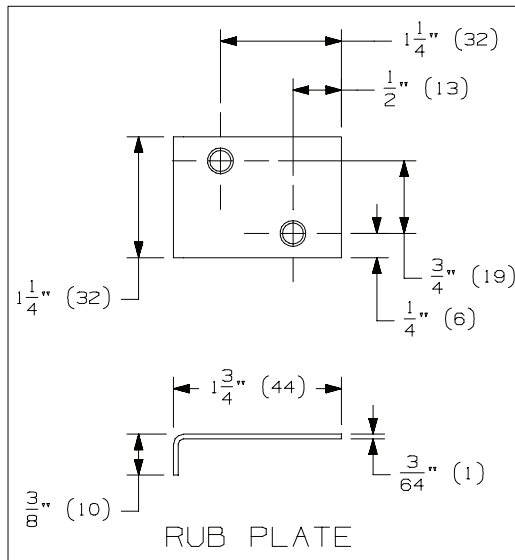
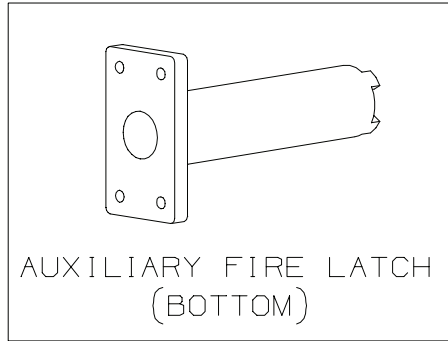
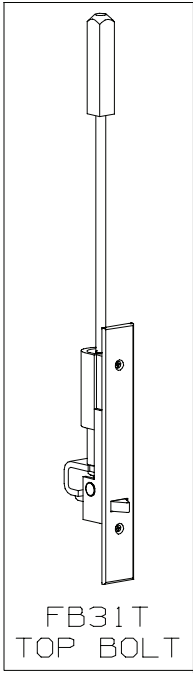
INST.FB32

Automatic Flush Bolt with Auxiliary Fire Latch for Metal Doors

Installation Instructions

FB32 INSTALLATION INSTRUCTIONS:

1. MORTISE INACTIVE DOOR FOR FB31 FLUSH BOLT.
2. FB31 FLUSH BOLT FITS ANSI 115.4 DOOR AND FRAME PREPARATION.
3. INSTALL TOP FLUSH BOLT IN EDGE OF DOOR. ADJUST TOP BOLT SO IT IS FLUSH WITH TOP OF DOOR WHEN RETRACTED.
4. INSTALL BOLT GUIDE.
5. INSTALL STRIKE.
6. INSTALL RUB PLATE ON EDGE OF ACTIVE DOOR ON CAM CENTERLINES.
7. INSTALL FACE PLATE.
8. DRILL 4 HOLES WITH #36 DRILL AND $1\frac{7}{8}$ " HOLE ON INACTIVE DOOR FOR AUXILIARY FIRE LATCH (AS SHOWN ON SHEET 3).
9. DRILL 1" HOLE IN ACTIVE DOOR FOR AUXILIARY FIRE LATCH (AS SHOWN ON SHEET 3).
10. INSTALL AUXILIARY FIRE LATCH WITH 4 SCREWS.
11. INSTALL AUXILIARY FIRE LATCH HOLE PLUG.



FIELD ADJUSTMENT

VERTICAL ROD ADJUSTMENT:

- A. TOP FLUSH BOLT: REMOVE GUIDE, TURN BOLT CLOCKWISE OR COUNTERCLOCKWISE AS NECESSARY TO ADJUST, REPLACE GUIDE.

NOTE:

1. INSTALL COORDINATOR BEFORE AUTOMATIC FLUSH BOLTS.
2. THE RECOMMENDED CLEARANCE BETWEEN DOORS IS $\frac{1}{8}$ " (3).
3. CERTIFIED PERSONNEL SHOULD PERFORM FIELD PREP FOR AUXILIARY FIRE LATCH.

SCREW DETAILS			
	QTY	MACHINE SCREWS	SHEET METAL SCREWS
HOUSING	4	8-32 X $\frac{3}{8}$ " UFPHMS	----
FACE PLATE	2	6-32 X $\frac{3}{8}$ " UFPHMS	----
STRIKE	2	8-32 X $\frac{3}{8}$ " UFPHMS	#8 X 1" FPHSMS W/PLASTIC EXP SHIELD
RUB PLATE	2	----	#6 X $\frac{3}{4}$ " FPHSMS
GUIDES	2	8-32 X $\frac{3}{8}$ " UFPHMS	----
AUXILIARY FIRE LATCH	4	----	#6 X $\frac{3}{4}$ " FPHSMS

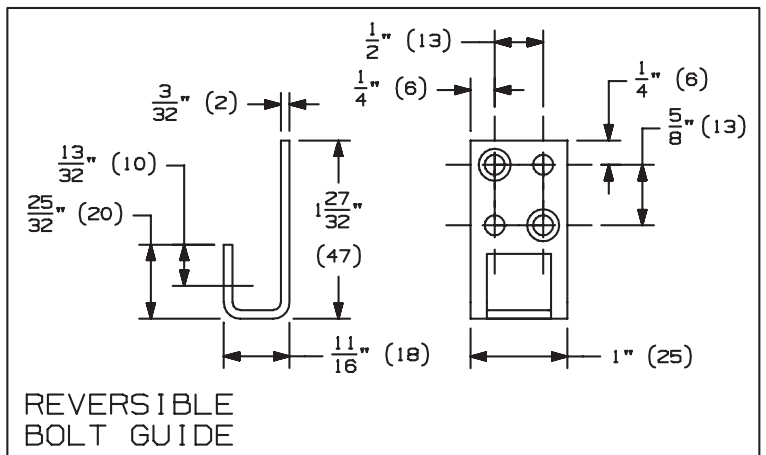
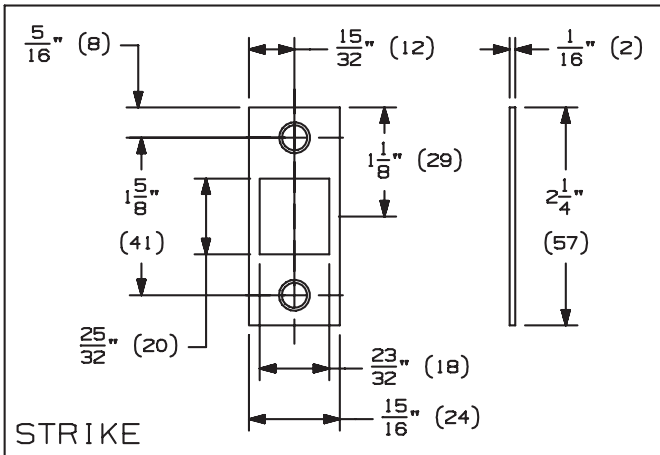
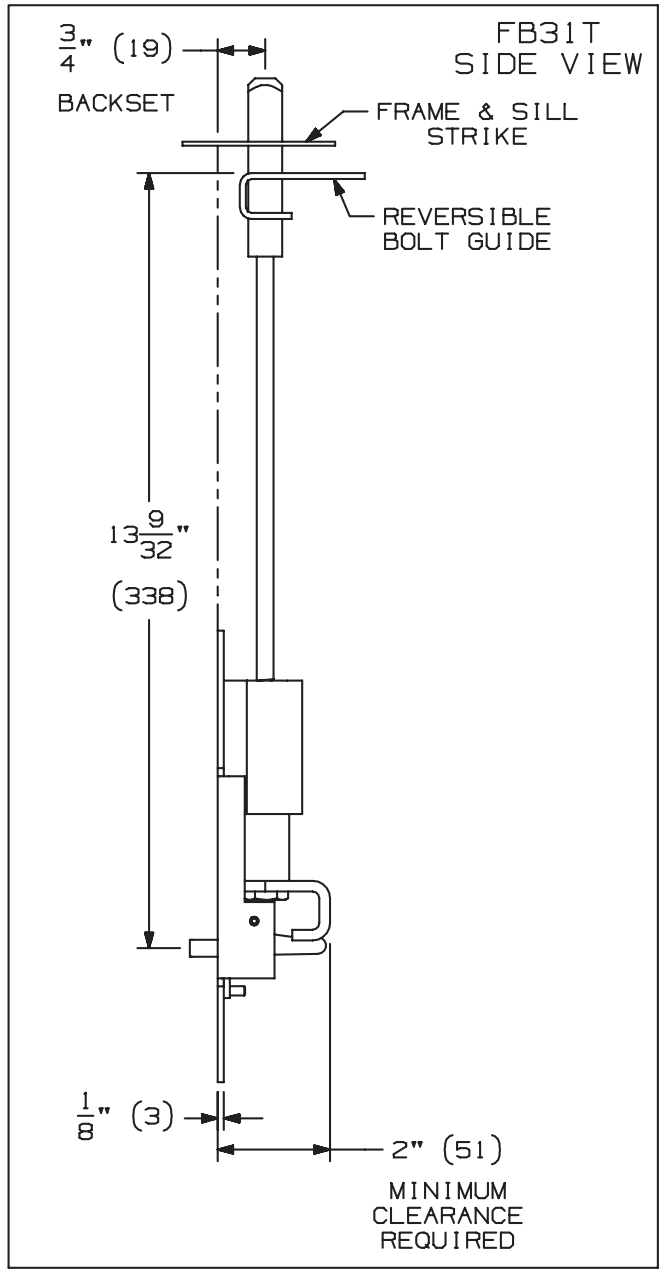
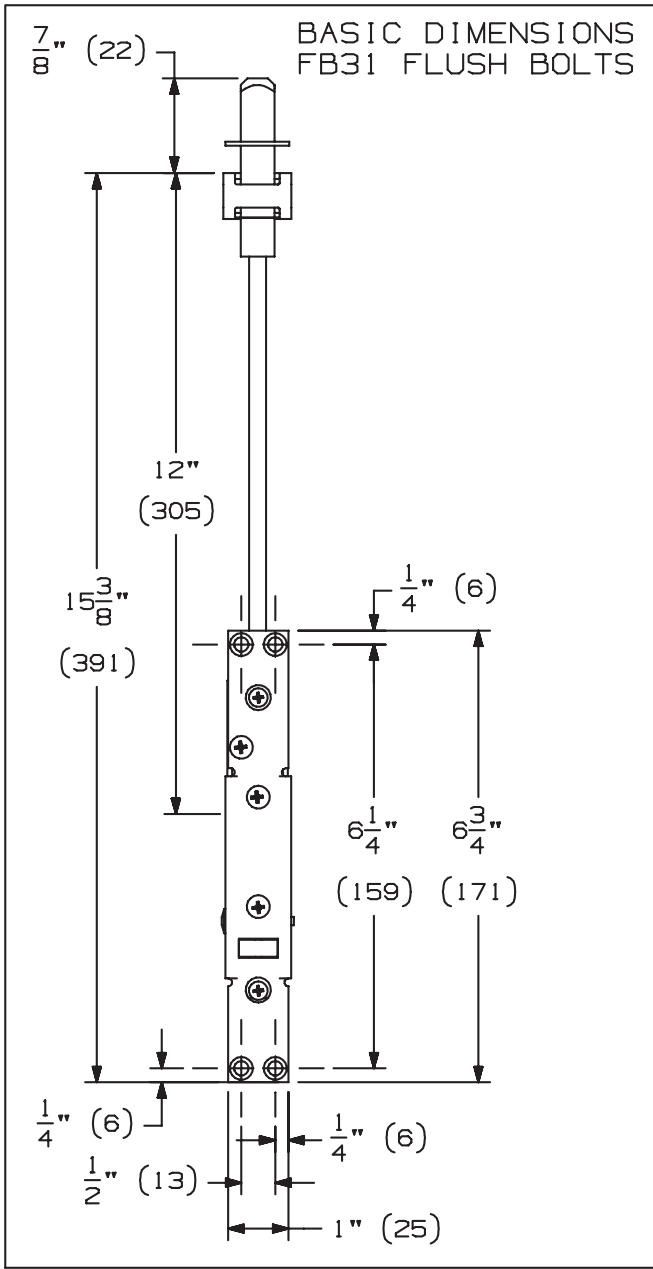
NOTE: DIMENSIONS IN () ARE MILLIMETERS.

Customer Service

1-877-671-7011 www.allegion.com/us



© Allegion 2014
 Printed in U.S.A.
 INST.FB32 Rev. 01/14-b



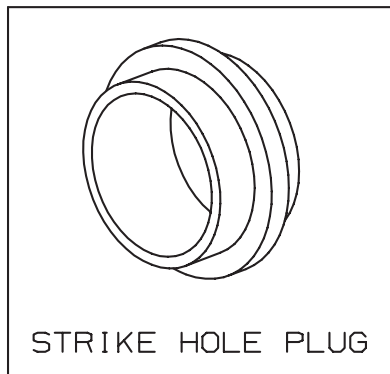
NOTE: DIMENSIONS IN () ARE MILLIMETERS.

LBB FIRE LATCH FOR USE ONLY WITH IVES
 FB32, FB33, FB42, FB52, FB53 AND FB62 FLUSH BOLTS

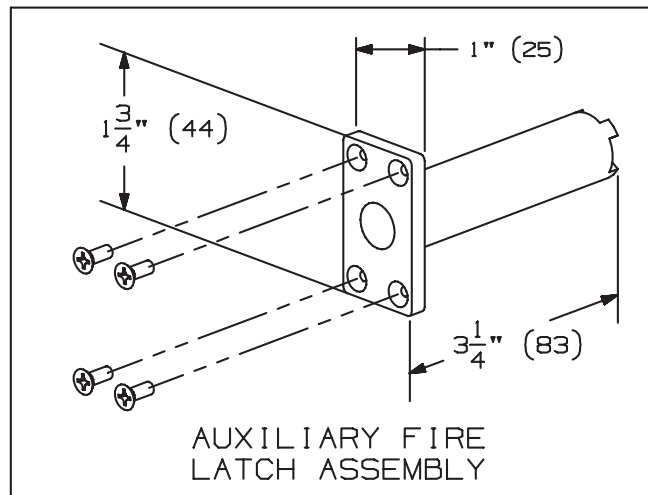
NOTE:

IT DOES NOT MATTER WHICH DOOR LEAF THE AUXILIARY FIRE LATCH IS INSTALLED. HOWEVER, THE LATCH MUST BE INSTALLED TO MAINTAIN FIRE LISTING. THE PURPOSE OF THE AUXILIARY FIRE LATCH ASSEMBLY IS TO KEEP THE DOORS IN ALIGNMENT DURING A FIRE. IN A FIRE, THE BOLT EXTENDS FROM THE AUXILIARY FIRE LATCH INTO THE STRIKE HOLE IN THE OPPOSITE DOOR LEAF. THE BLACK CAP VISIBLE ON THE FACE OF THE LATCH MUST MELT IN ORDER FOR THE BOLT TO EXTEND, THEREFORE:

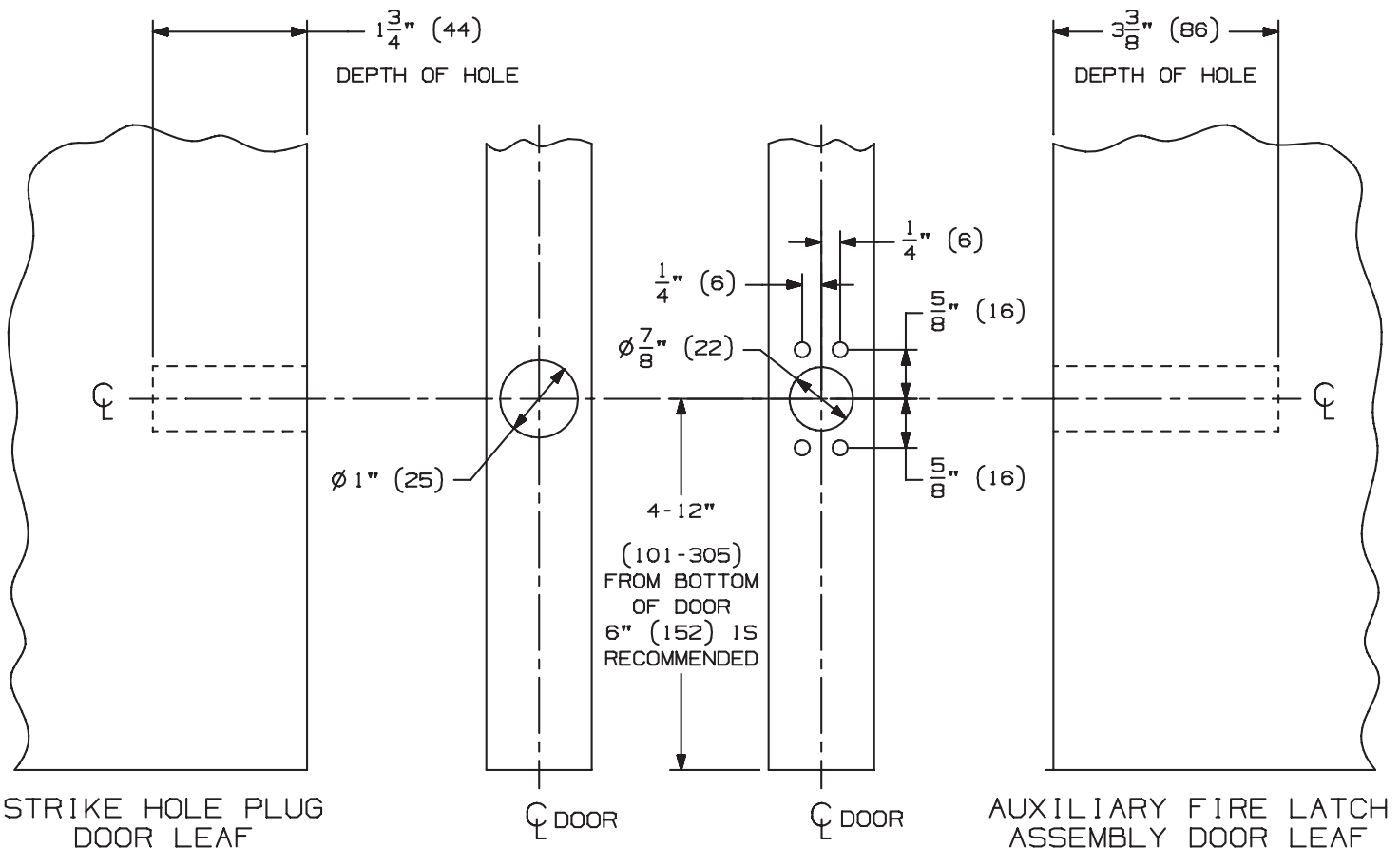
DO NOT COVER THE DOOR GAP AT THE AUXILIARY FIRE LATCH WITH A DOOR EDGE GUARD OR SIMILAR DEVICE.



STRIKE HOLE PLUG



AUXILIARY FIRE LATCH ASSEMBLY



STRIKE HOLE PLUG
 DOOR LEAF

DOOR

DOOR

AUXILIARY FIRE LATCH
 ASSEMBLY DOOR LEAF

NOTE: DIMENSIONS IN () ARE MILLIMETERS.