



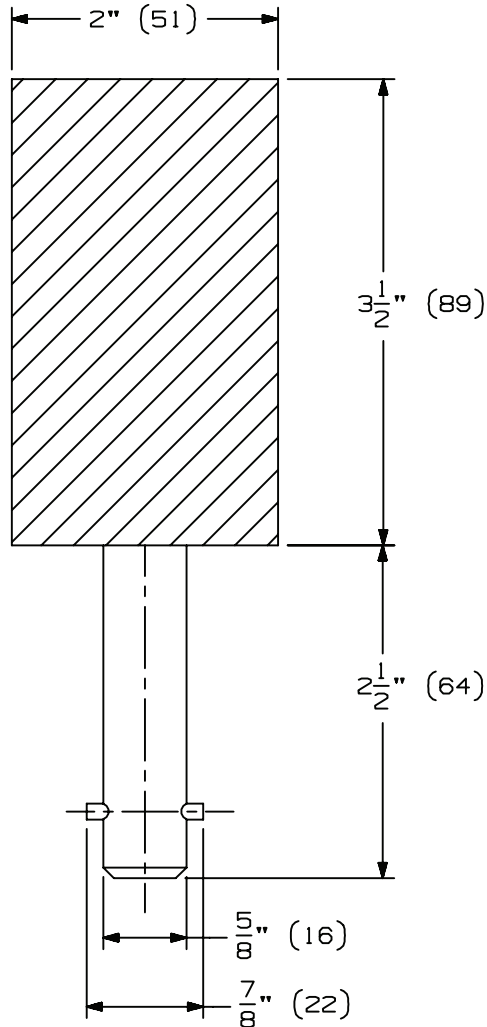
FS18L

IVES

INST.FS18L

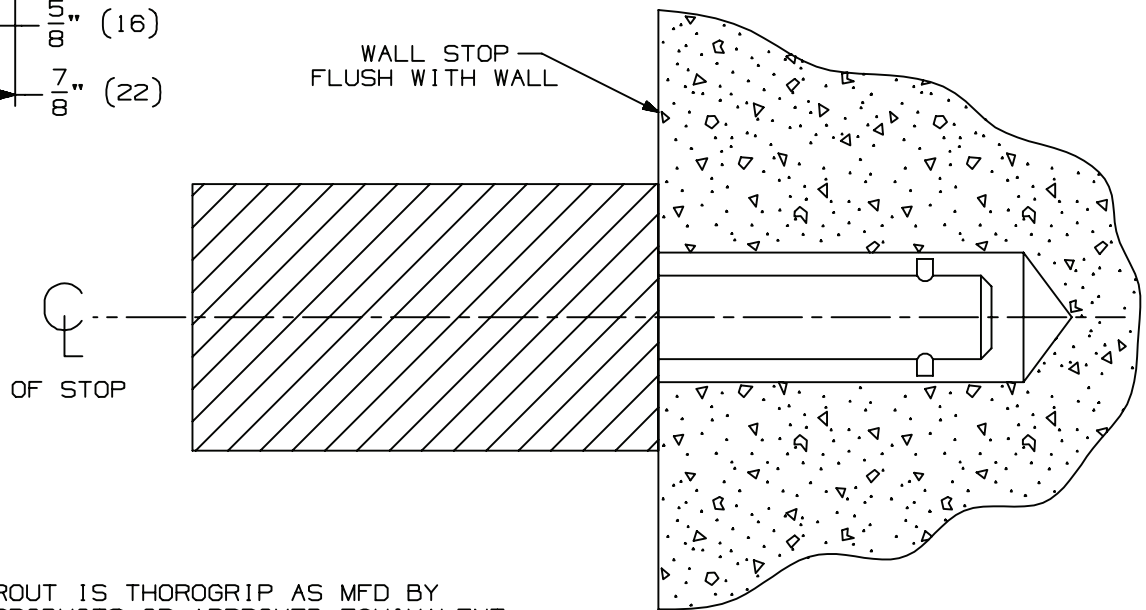
Wall Stop

Installation Instructions



INSTRUCTIONS:

1. OPEN DOOR TO DESIRED LOCATION.
2. LOCATE MOUNTING HOLES.
3. DRILL 1" (25mm) DIAMETER BY 2-3/4" (70mm) DEEP HOLE.
4. REMOVE MATERIAL AS REQUIRED.
5. GROUT STOP INTO WALL* OR FLOOR*.



*RECOMMENDED GROUT IS THOROGRIIP AS MFD BY THORO SYSTEM PRODUCTS OR APPROVED EQUIVALENT

NOTE: DIMENSIONS IN () ARE IN MILLIMETERS

Customer Service

1-877-671-7011 www.allegion.com/us



© Allegion 2014
Printed in U.S.A.
INST.FS18L Rev. 01/14-b