



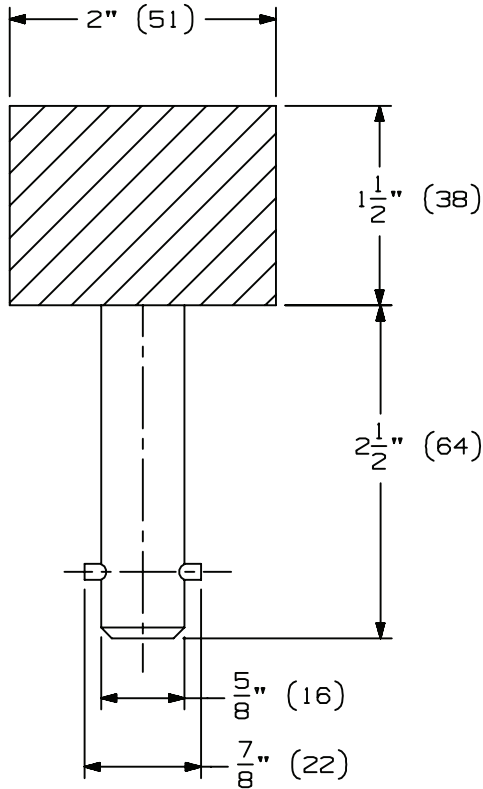
# FS18S

# IVES

## INST.FS18S

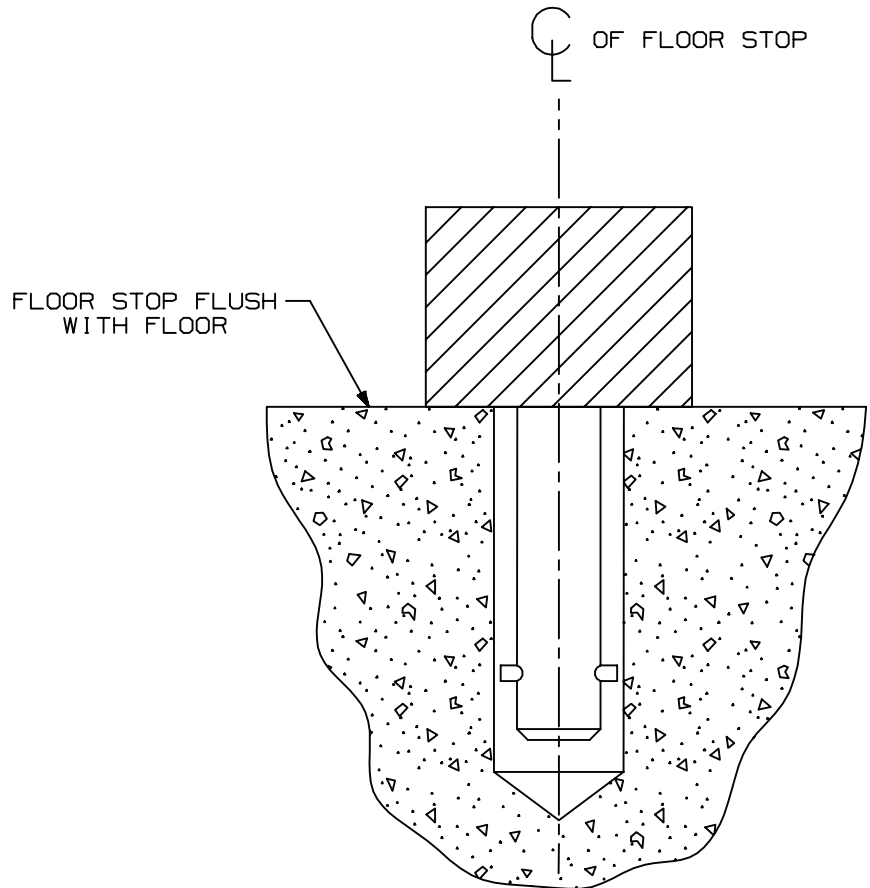
Floor Stop

Installation Instructions



### INSTRUCTIONS:

1. OPEN DOOR TO DESIRED LOCATION.
2. LOCATE MOUNTING HOLES.
3. DRILL 1" (25mm) DIAMETER BY 2-3/4" (70mm) DEEP HOLE.
4. REMOVE MATERIAL AS REQUIRED.
5. GROUT STOP INTO FLOOR\*.



\*RECOMMENDED GROUT IS THOROGRIP AS MFD BY THORO SYSTEM PRODUCTS OR APPROVED EQUIVALENT

Customer Service

1-877-671-7011

[www.allegion.com](http://www.allegion.com)



© Allegion 2014  
Printed in U.S.A.  
INST.FS18S Rev. 01/14-b