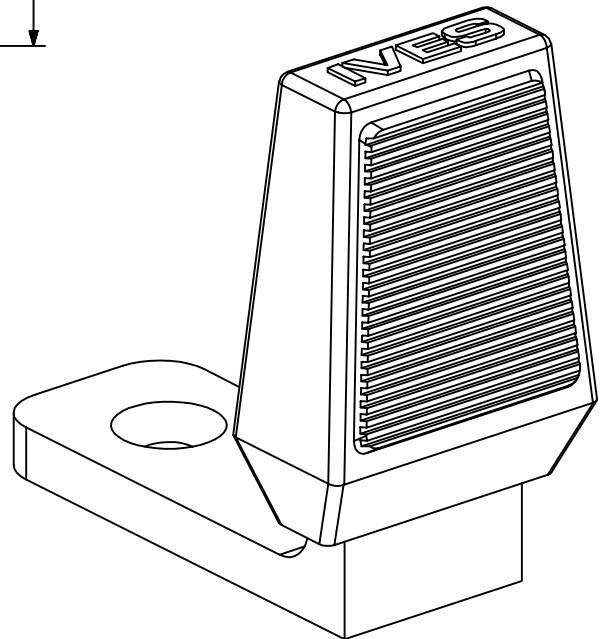
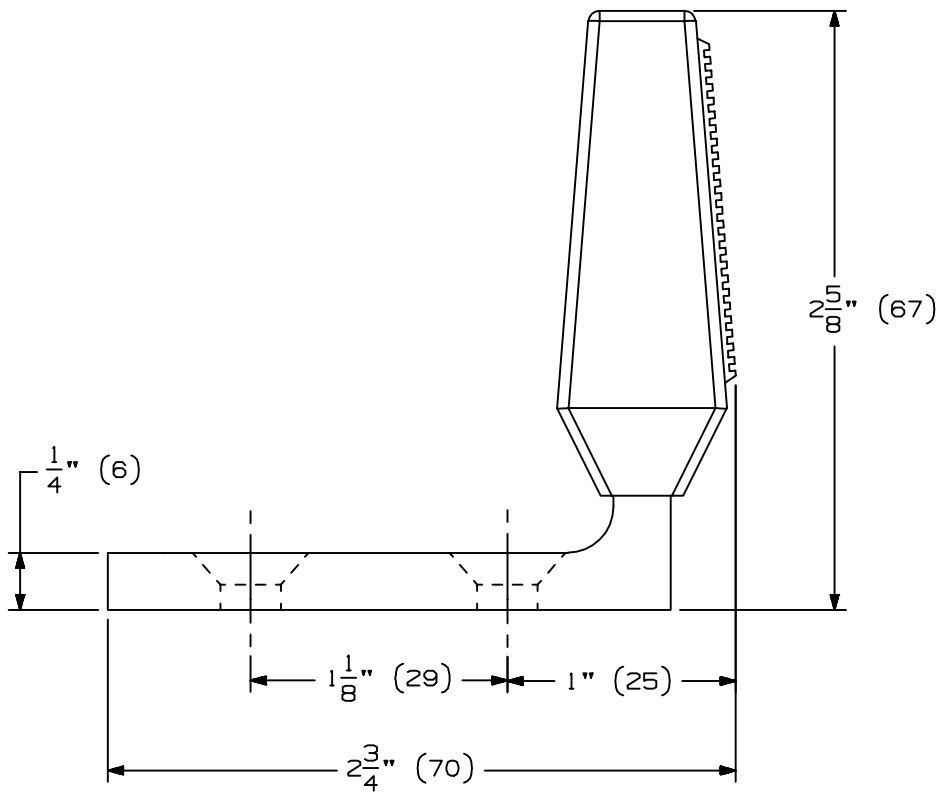


INSTRUCTIONS:

1. OPEN DOOR TO DESIRED LOCATION.
2. LOCATE MOUNTING HOLES.
3. PREPARE HOLES.
4. INSERT PLASTIC ANCHORS IN HOLES.
5. ATTACH FLOOR STOP WITH SCREWS.



SCREW DETAILS

QTY	DESCRIPTION
2	#14 X 1-1/4" FPHSMS
2	#14 PLASTIC ANCHORS



FS434 DOOR STOP
INSTALLATION TEMPLATE



NOTE: DIMENSIONS IN () ARE IN MILLIMETERS

TEMPLATE NUMBER: INST.FS434_0

DATE: 07-26-01