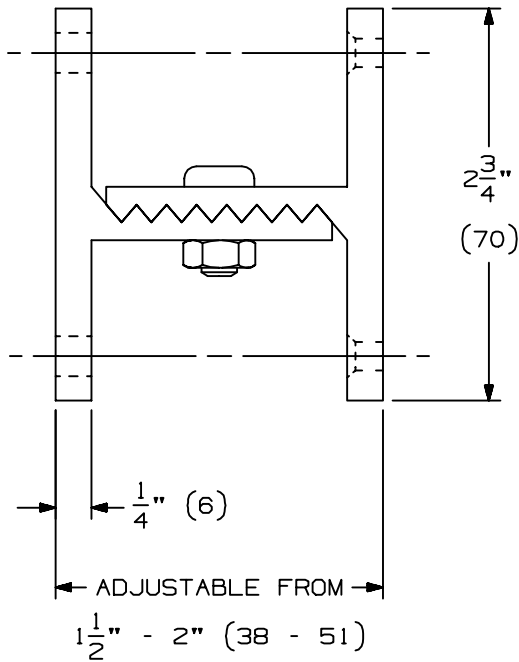
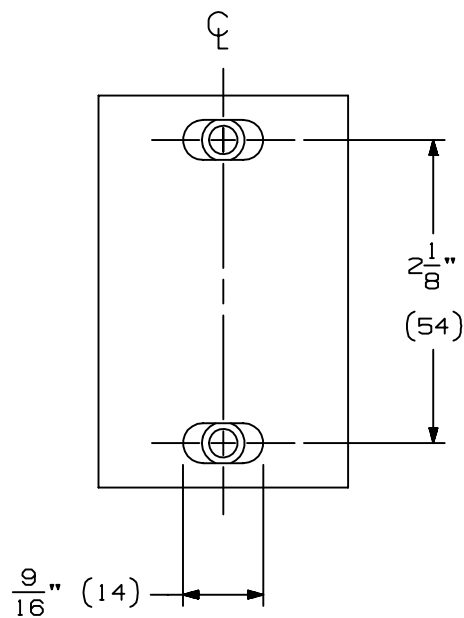
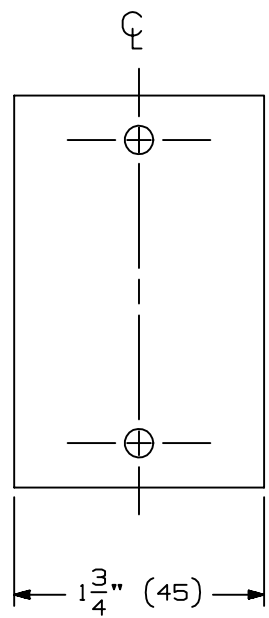


RAIL BRACKET



WALL BRACKET



| | QTY | SCREW DETAIL |
|------------------------|-----|--------------------|
| RAIL BRACKET | 2 | #14 X 1 1/4" RPHWS |
| WALL BRACKET | 2 | #14 X 1 3/4" FPHWS |
| ALTERNATE WALL BRACKET | 2 | 1/4"-20 X 4" FPHMS |
| | 2 | TOGGLE BOLTS |

NOTES:

1. STEPS OF ADJUSTMENT - .050" (1)



HB162 HAND RAIL BRACKET INSTALLATION TEMPLATE



NOTE: DIMENSIONS IN () ARE MILLIMETERS.

TEMPLATE NUMBER: INST.HB162_0

DATE: 09-01-01