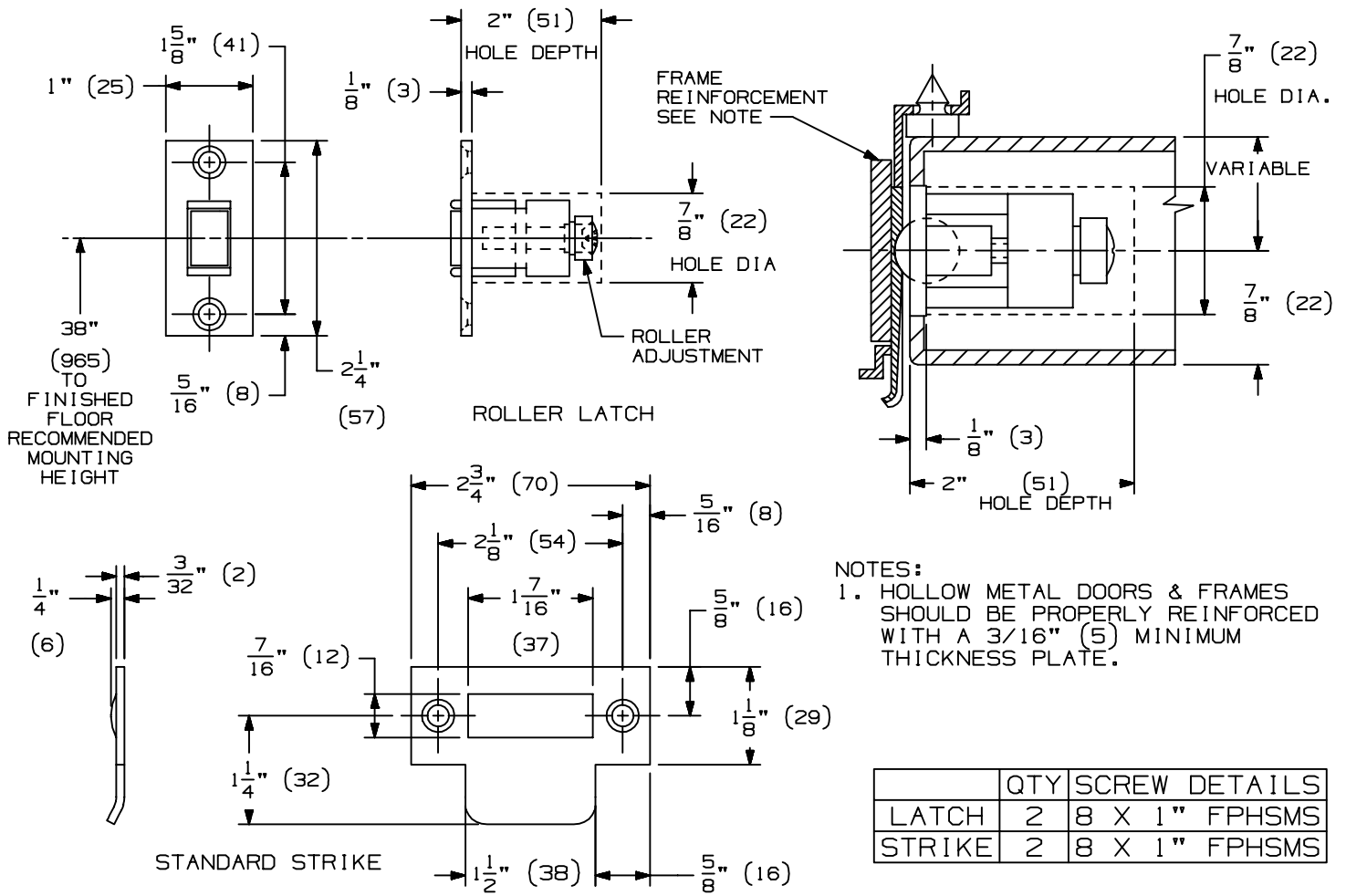
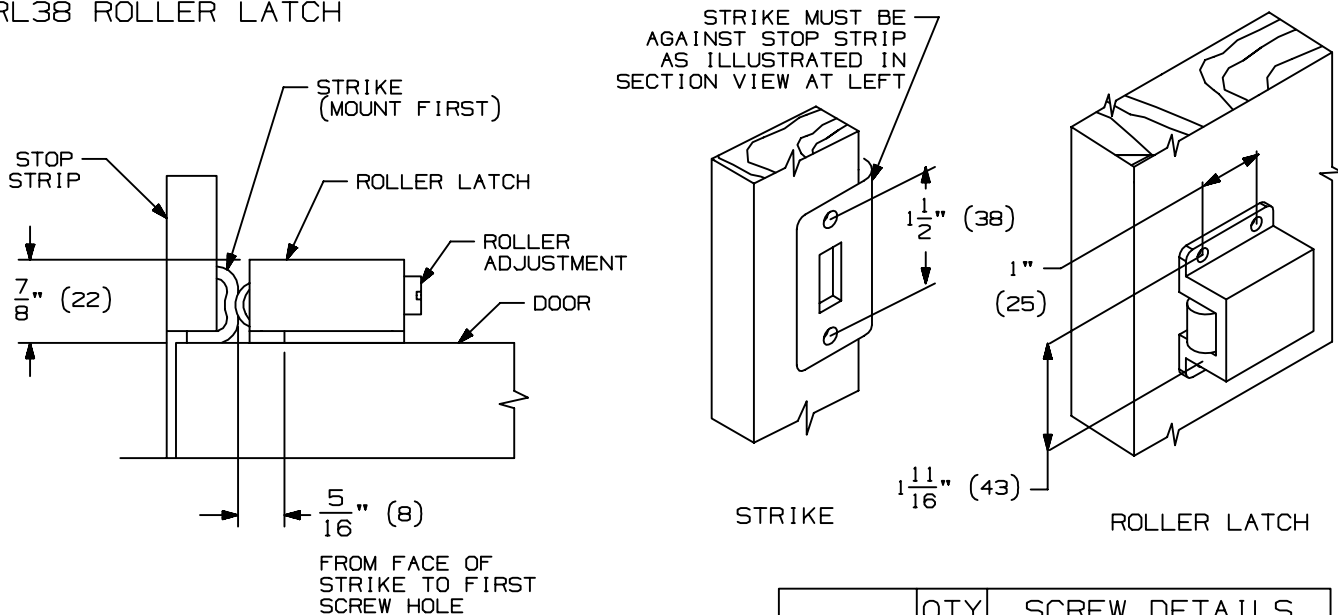


RL36 ROLLER LATCH



RL38 ROLLER LATCH



	QTY	SCREW DETAILS
LATCH	4	6 X 3/4" PPHSMS
STRIKE	2	6 X 3/4" FPHSMS



RL36 & 38 ROLLER LATCH INSTALLATION TEMPLATE



NOTE: DIMENSIONS IN () ARE MILLIMETERS.

TEMPLATE NUMBER: INST.RL36-38_0

DATE: 09-01-01