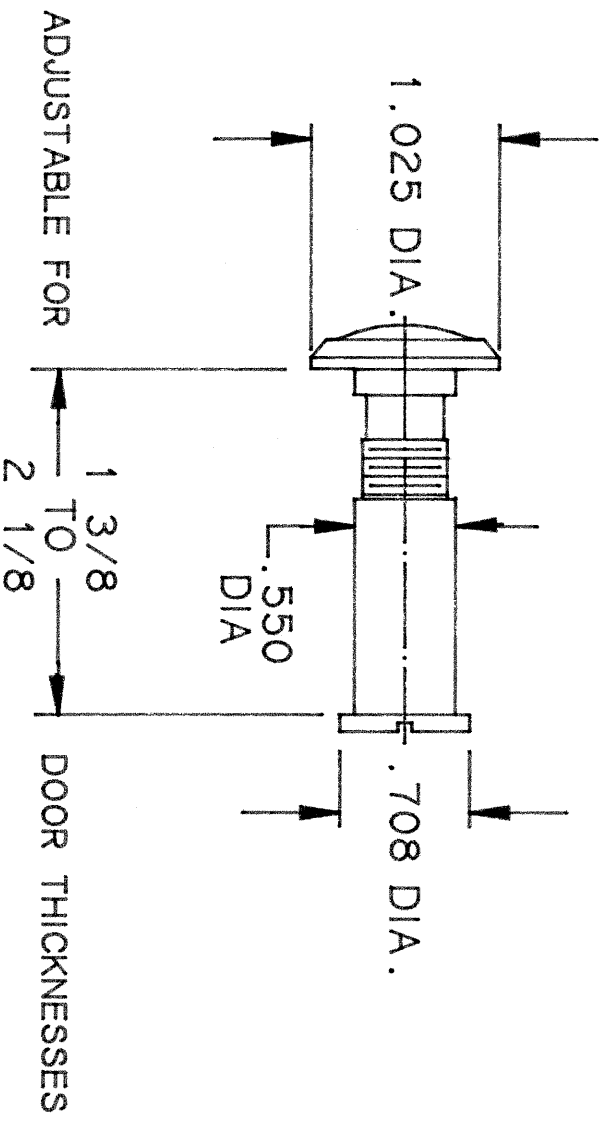


TEMPLATE DRAWING

DWG # 2217A
Rev A, new drawing #
10/5/99

U698 & 698



NOTE

DRILL 9/16 DIA. HOLE FOR INSTALLATION
ANGLE OF VISION 185° - 195°



U698 & 698 ONE-WAY VIEWERS

A: 698TEMPL (FJH DISK 1)

TEMPLATE NO. HB-698-25
DRAWN BY: FJH

DATE: 8-4-88

H. B. IVES

P.O. BOX 1867, NEW HAVEN, CONN. 06508