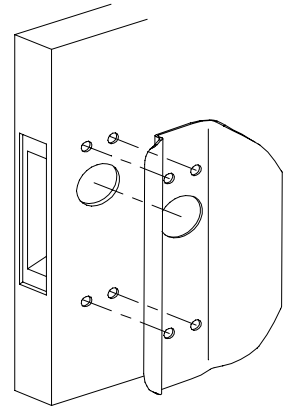
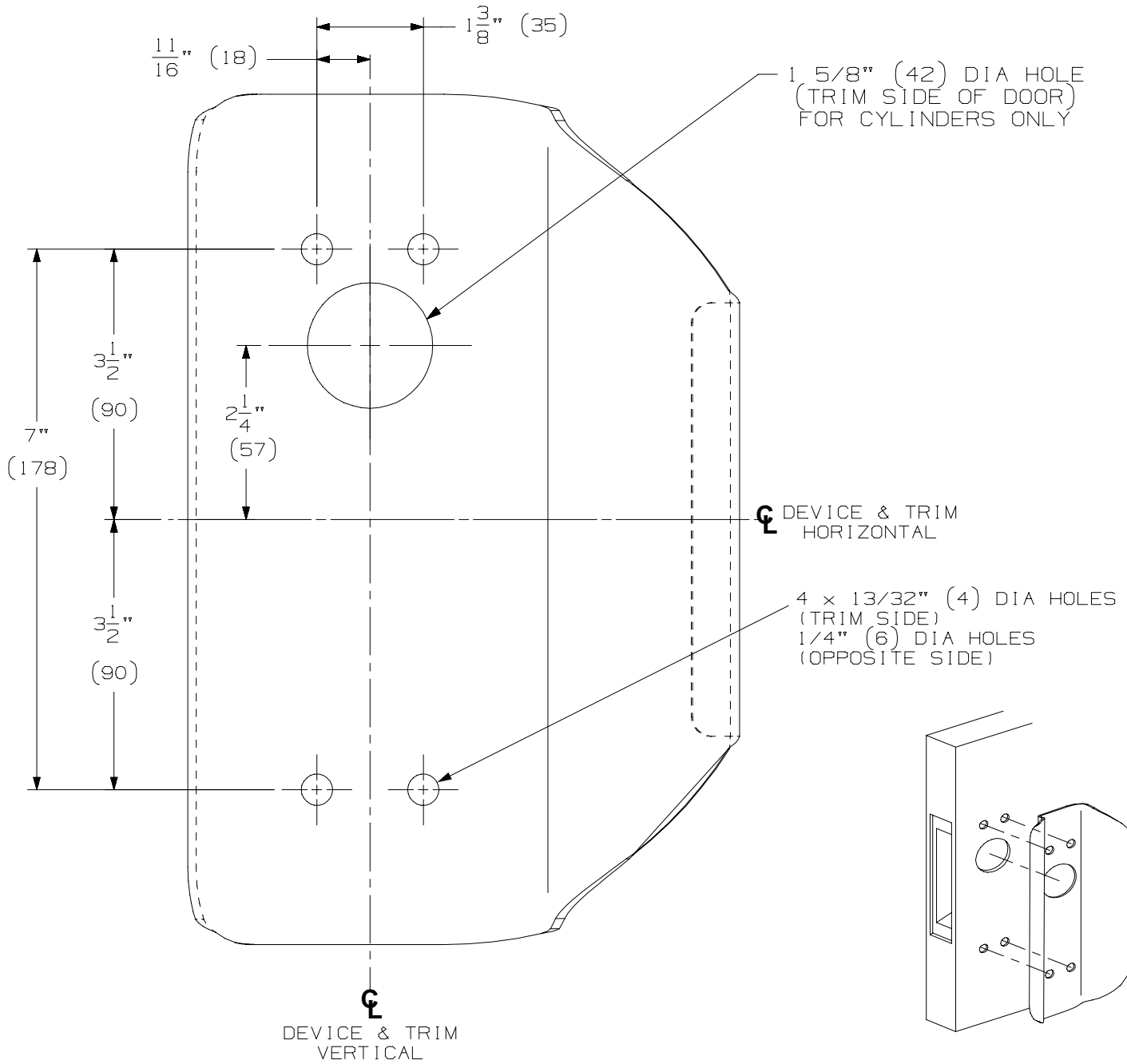


OUTSIDE FACE
OF LOCK STILE RHR SHOWN
LHR OPPOSITE



Notes:

1. Prepare push side of door for exit device. See exit device instructions for preparation.
2. Prepare pull side of door for trim.
 - a. Transfer vertical and horizontal device center lines from push side of door to pull side.
 - b. Locate and prepare all holes as indicated above.

Customer Service

1-877-671-7011

www.allegion.com/us

IVES VR910M VANDAL RESISTANT
TRIM FOR USE WITH
MORTISE DEVICES



© 2015 Allegion
INST.VR910M Rev. 01/15-b

Note: Dimensions in () are millimeters

Template
Number

INST.VR910M_B