



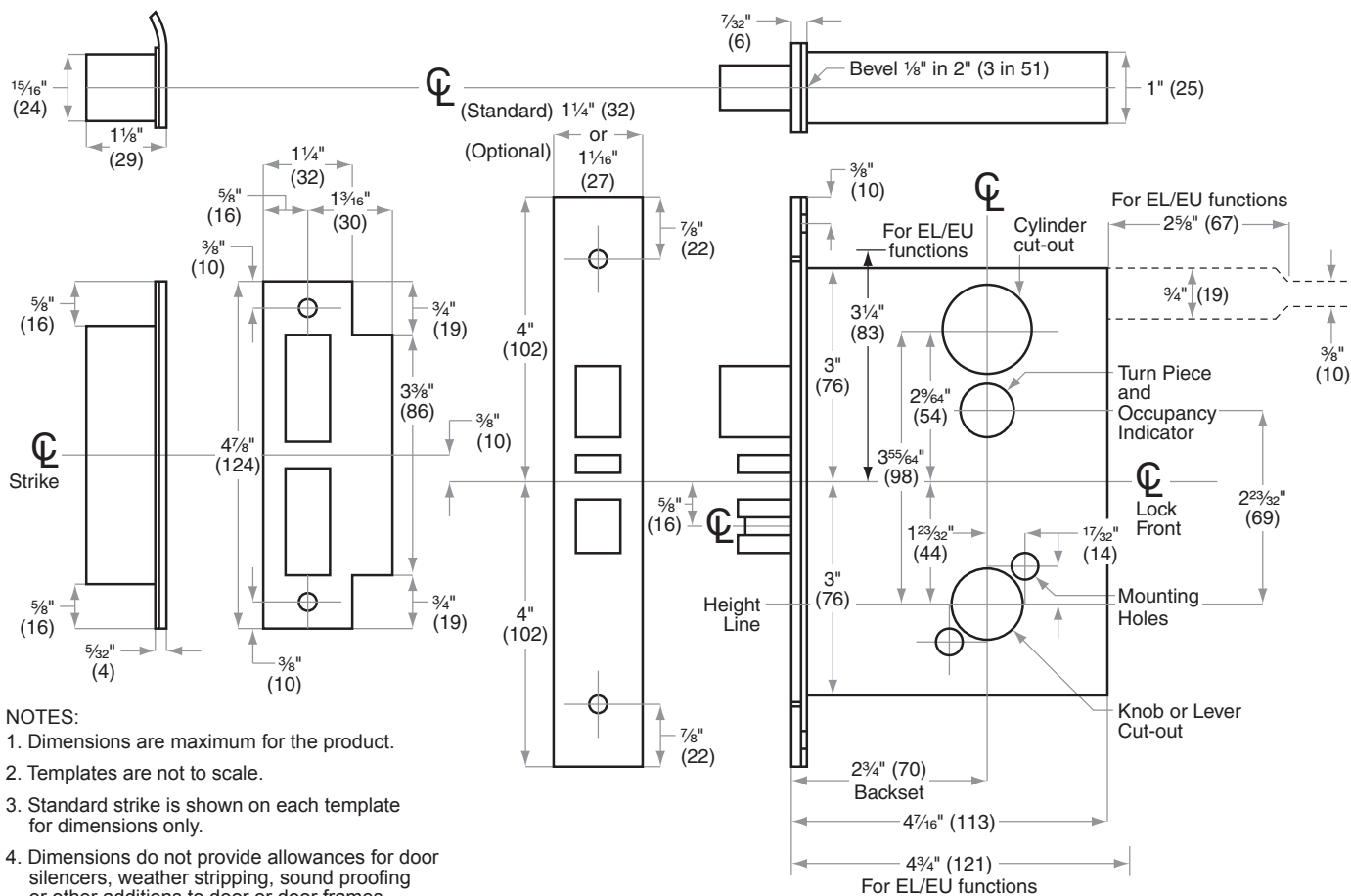
L/LV/LM/LMV9000-Series

Lock Case Dimensions



ALLEGION™

Case Size:	4 ⁷ / ₁₆ " x 6 ¹ / ₁₆ " x 1" (113 mm x 154 mm x 25 mm)	Knob or Lever to Cylinder:	3 ⁵⁵ / ₆₄ " (98 mm)
Backset:	2 ³ / ₄ " (70 mm)	Knob or Lever to Turn Piece:	2 ²³ / ₃₂ " (69 mm)
Door Range:	1 ³ / ₈ " – 2 ¹ / ₂ " (35 mm – 64 mm)	Height Line to Center of Deadbolt:	3 ¹ / ₃₂ " (77 mm)
Lock Front:	1 ¹ / ₄ " x 8" x ⁷ / ₃₂ " (32 mm x 203 mm x 6 mm) Standard		
	1 ¹ / ₁₆ " x 8" x ⁷ / ₃₂ " (27 mm x 203 mm x 6 mm) Optional		



NOTES:

1. Dimensions are maximum for the product.
2. Templates are not to scale.
3. Standard strike is shown on each template for dimensions only.
4. Dimensions do not provide allowances for door silencers, weather stripping, sound proofing or other additions to door or door frames.

ANSI Standards: L9000-Series locks meet all requirements for installations in doors and frames prepared in accordance with ANSI specifications A156.13, 2012.

Metal Doors: Suitable reinforcement is required to support lock case in center of door and to prevent door from compressing when trim is tightened. (See ANSI A115.1)

Thick Doors: Locks for non-standard door thickness may require special instructions.

Lead Lining: When L9000-Series or L400-Series locks are ordered with lead lining, add 1/8" (3) to the width of the mortise cut-out on the lock case cover side of installation.

Electrified Locks: Provisions must be made to route low voltage wire to the lock. Power transfer unit and low voltage wiring are not furnished.

Dimensions shown in parentheses () are in millimeters.

DRAWING IS NOT TO SCALE!

Customer service: 877-671-7011

We can help you find the correct guide for your product and application!

Door preparation template





L/LV/LM/LMV-Series

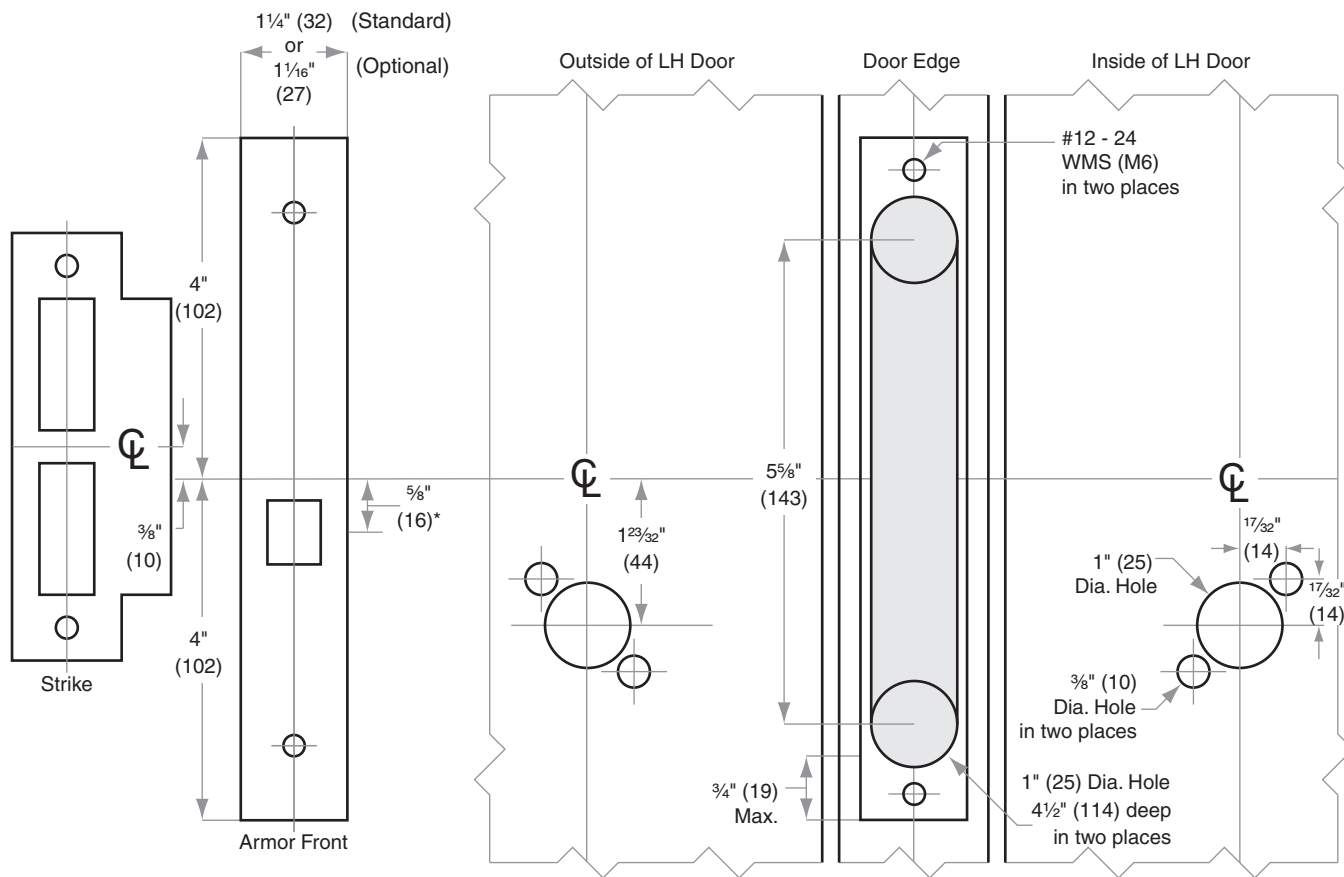
Model L9010, L9110

Door Type: Wood or composite, flat or beveled
 Trim: Rose

This template should not be used for HSLR trim. Use template L965 for HSLR trim.

For Case and Strike dimensions, see Template L1

Left Hand (LH) Door Shown



*Centerline of Armor Front to Centerline of Latch dimension

Dimensions shown in parentheses () are in millimeters.

© 2019 Allegion
 L892 Rev.08/19
 us.allegion.com

DRAWING IS NOT TO SCALE!
Customer service: 877-671-7011
We can help you find the correct guide for your product and application!

Door preparation template

L892



L/LV/LM/LMV-Series

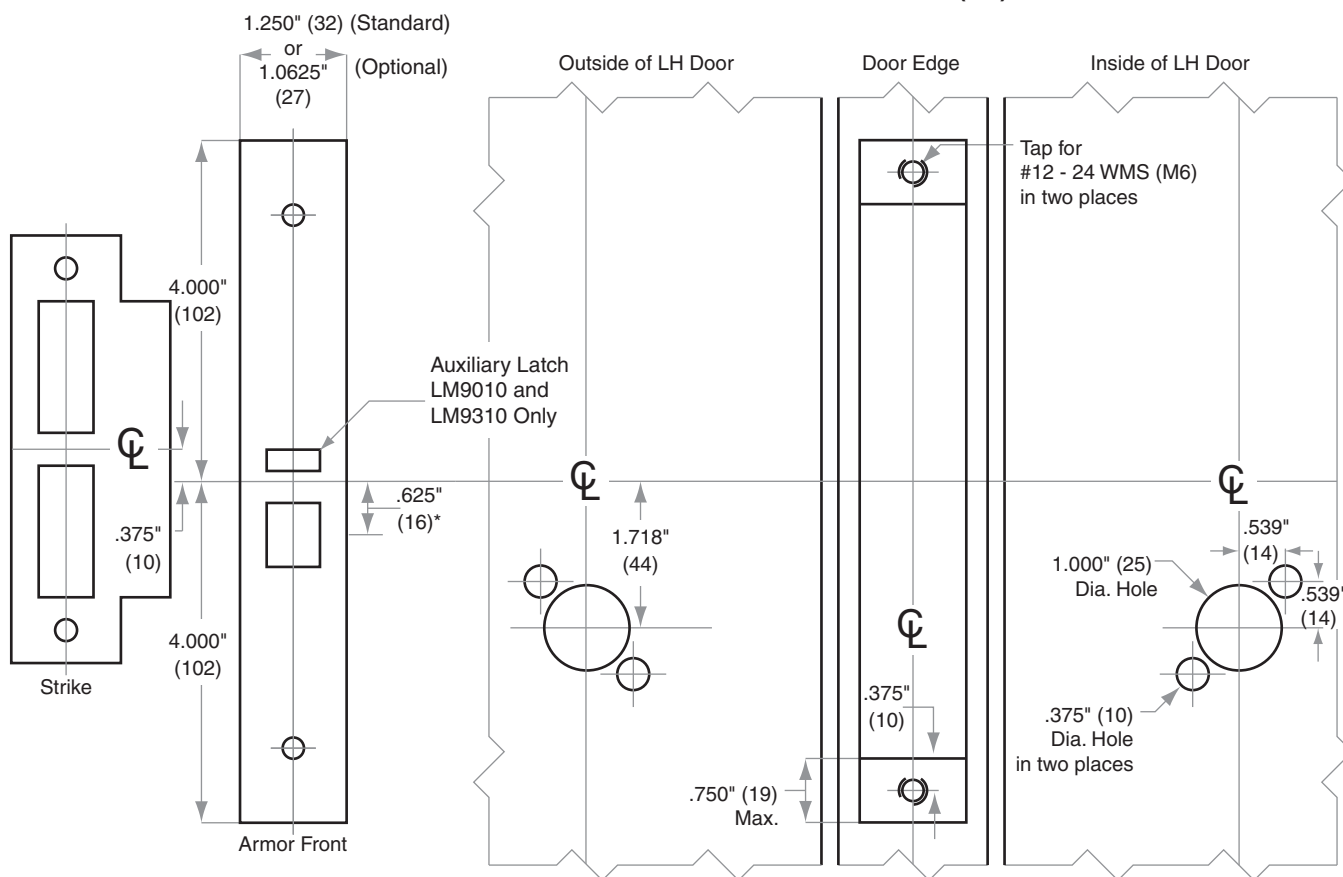
Model L9010, L9110, LM9310

Door Type: Metal, flat or beveled
Trim: Rose

This template should not be used for HSLR trim. Use template L966 for HSLR trim.

For Case and Strike dimensions, see Template L1

Left Hand (LH) Door Shown



*Centerline of Armor Front to Centerline of Latch dimension

Dimensions shown in parentheses () are in millimeters.

© 2019 Allegion
L893 Rev.08/19
us.allegion.com

DRAWING IS NOT TO SCALE!
Customer service: 877-671-7011
We can help you find the correct guide for your product and application!

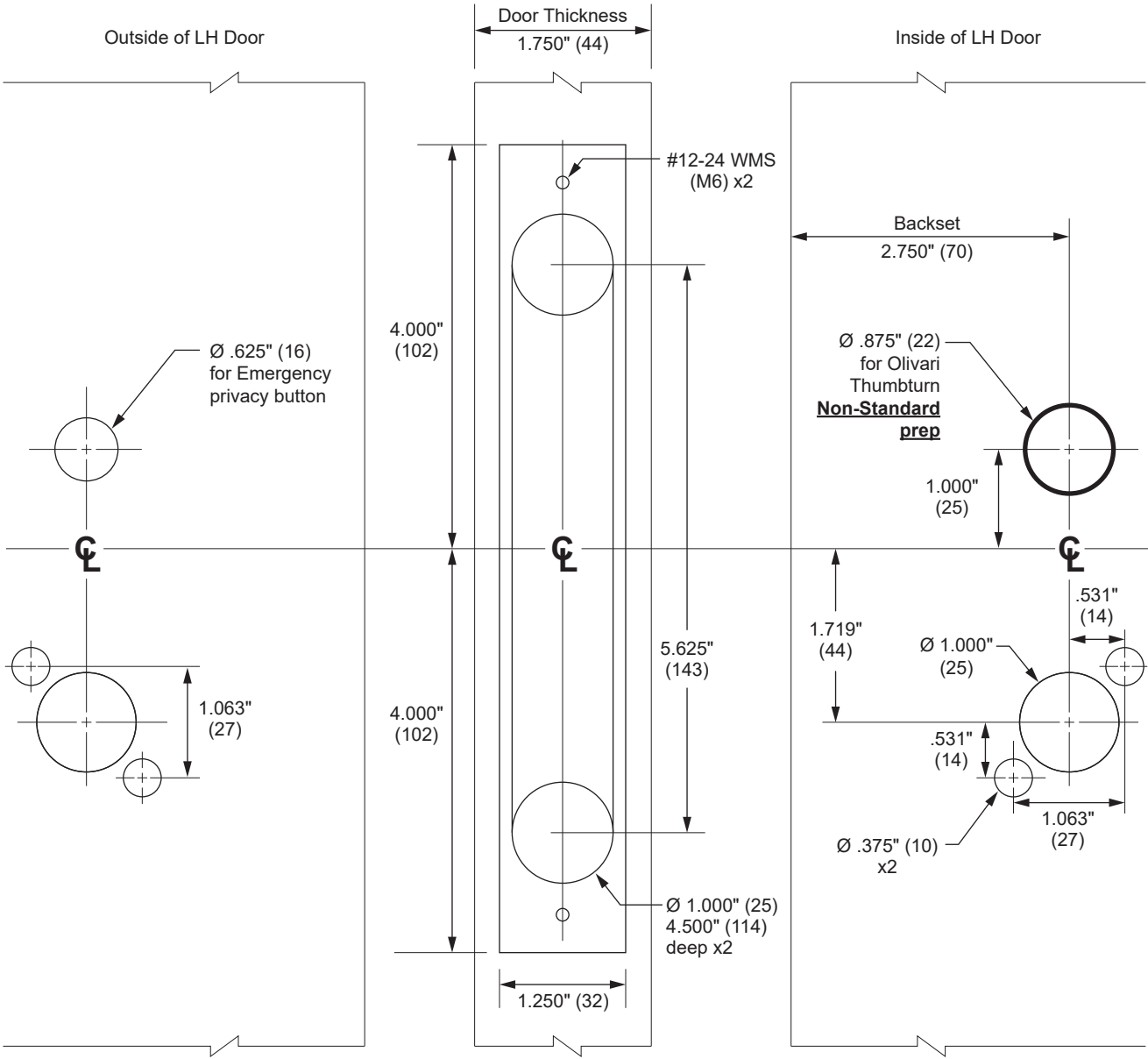
Door preparation template
L893

PT-Series Mortise

Model PT9040; Rose

- Door Type: Wood or Composite, flat or beveled
- Door Thickness: 1 3/4" (44 mm)
- Faceplate/Armor: Standard: 1 1/4" x 8" x 7/32" (32 mm x 203 mm x 6 mm)
- Backset: 2 3/4" (70 mm)

Left Hand (LH) Door Shown



Dimensions shown in parentheses () are in millimeters.

© 2020 Allegion
47282403_a Rev. 02/20
www.allegion.com/us

DRAWING IS NOT TO SCALE!

Product support: 877-671-7011

We can help you find the correct template for your product and application!

Door preparation template

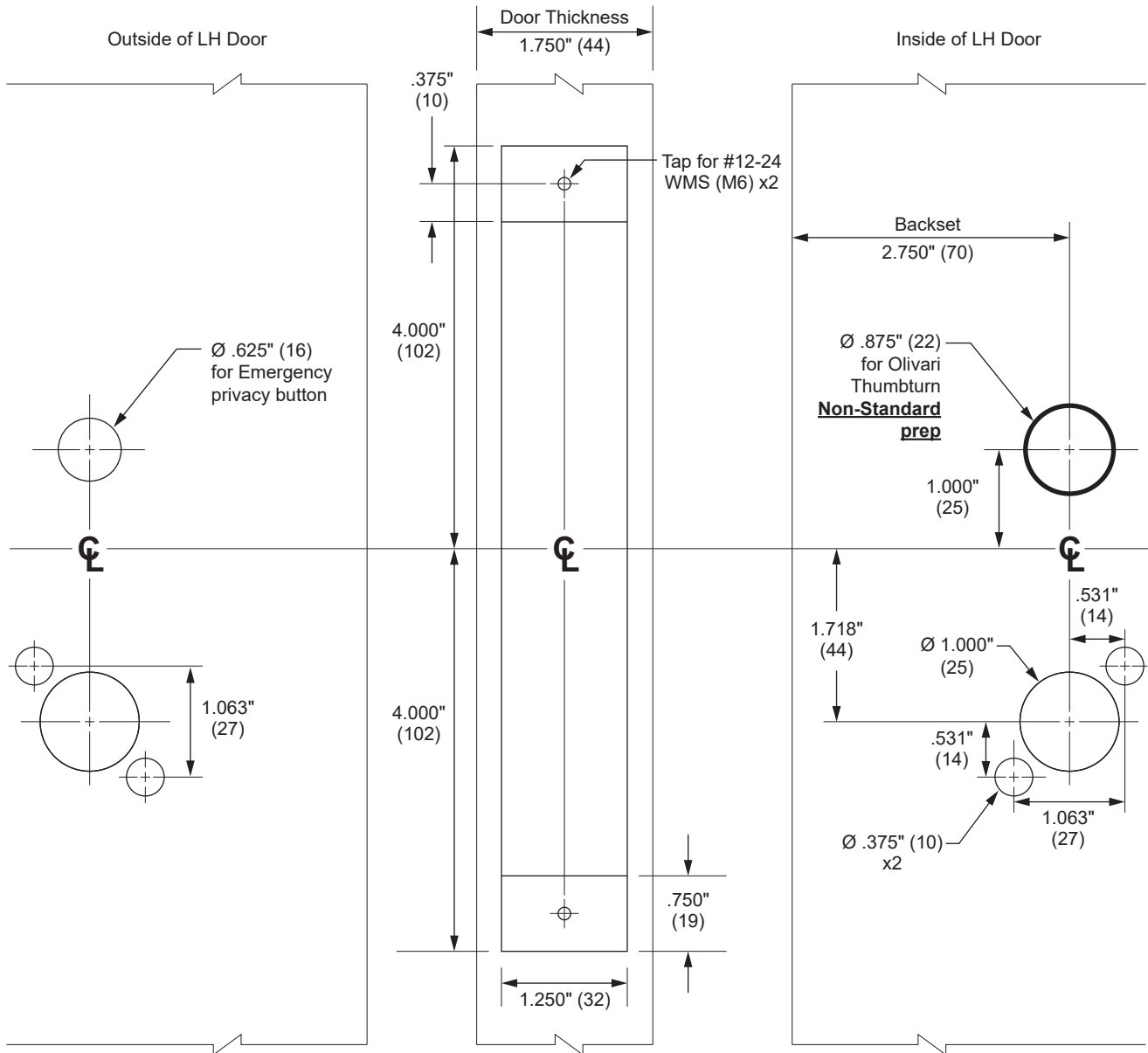
47282403

PT-Series Mortise

Model PT9040; Rose

- Door Type: Metal, flat or beveled
- Door Thickness: 1 3/4" (44 mm)
- Faceplate/Armor: Standard: 1 1/4" x 8" x 7/32" (32 mm x 203 mm x 6 mm)
- Backset: 2 3/4" (70 mm)

Left Hand (LH) Door Shown



Dimensions shown in parentheses () are in millimeters.

© 2020 Allegion
47282404_a Rev. 02/20
www.allegion.com/us

DRAWING IS NOT TO SCALE!

Product support: 877-671-7011

We can help you find the correct template for your product and application!

Door preparation template

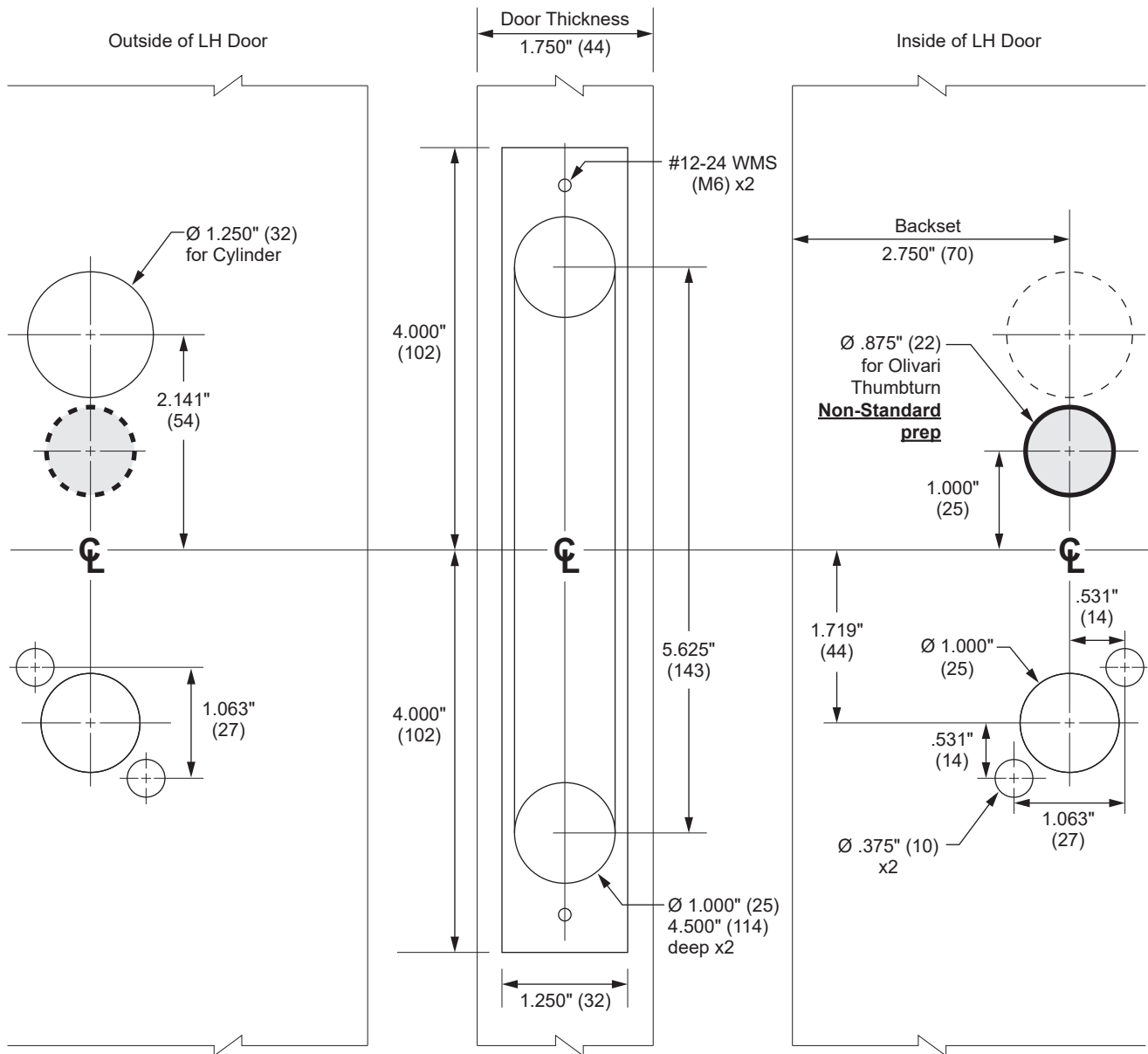
47282404

PT-Series Mortise

Model PT9050, PT9453; Rose

- Door Type: Wood or Composite, flat or beveled
- Door Thickness: 1 3/4" (44 mm)
- Faceplate/Armor: Standard: 1 1/4" x 8" x 7/32" (32 mm x 203 mm x 6 mm)
- Backset: 2 3/4" (70 mm)

Left Hand (LH) Door Shown



Dimensions shown in parentheses () are in millimeters.
© 2020 Allegion
47281338_a Rev. 02/20
www.allegion.com/us

DRAWING IS NOT TO SCALE!
Product support: 877-671-7011
We can help you find the correct template for your product and application!

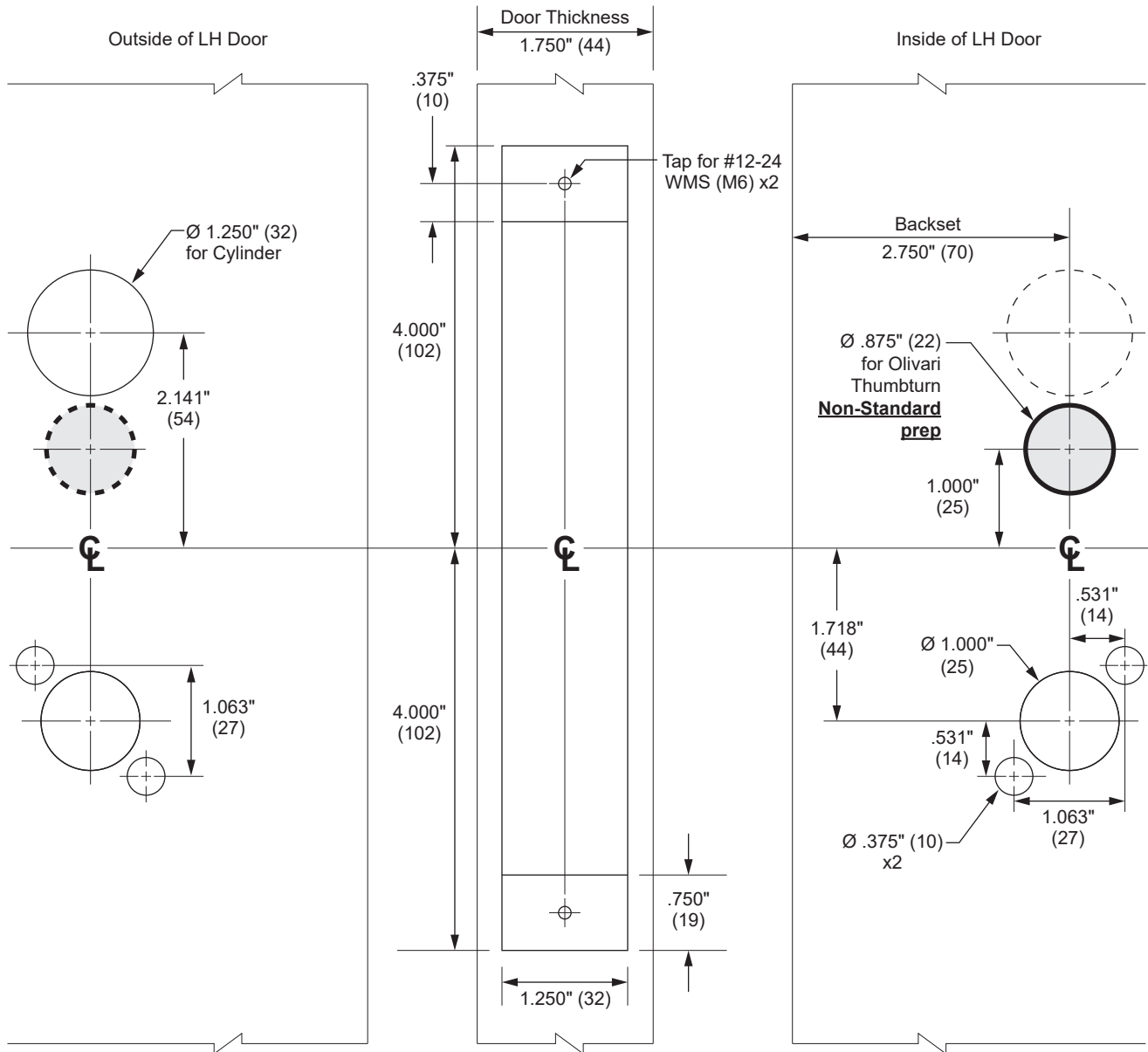
Door preparation template

47281338

PT-Series Mortise Model PT9050, PT9453; Rose

Door Type: Metal, flat or beveled
Door Thickness: 1 3/4" (44 mm)
Faceplate/Armor: Standard: 1 1/4" x 8" x 7/32" (32 mm x 203 mm x 6 mm)
Backset: 2 3/4" (70 mm)

Left Hand (LH) Door Shown



Dimensions shown in parentheses () are in millimeters.

© 2020 Allegion
47282398_a Rev. 02/20
www.allegion.com/us

DRAWING IS NOT TO SCALE!

Product support: 877-671-7011

We can help you find the correct template for your product and application!

Door preparation template

47282398



L/LV/LM/LMV-Series

Model L/LV9070, L/LV9076, L/LV9080,
L/LV9080EL/EU, L9465

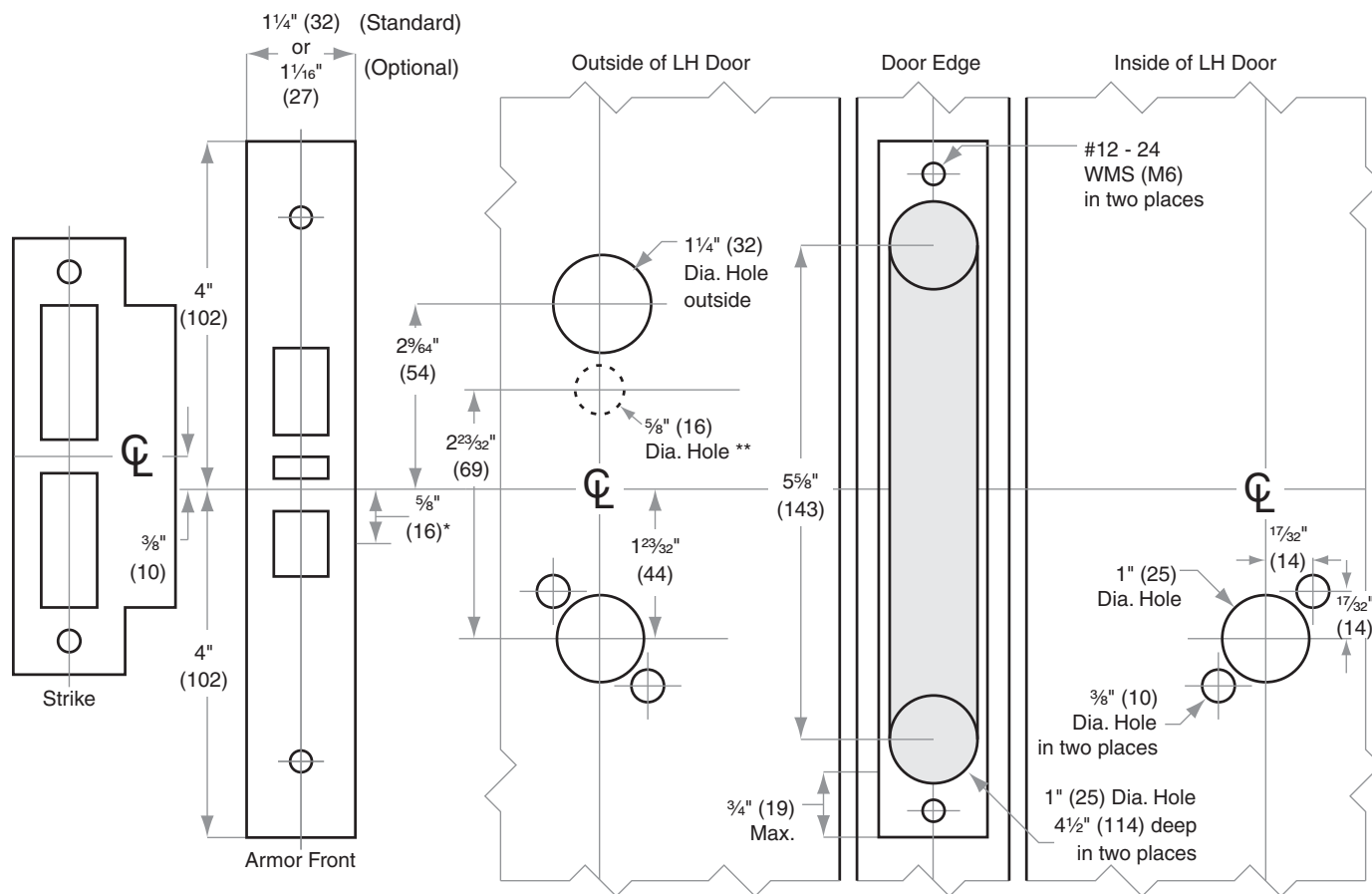
Door Type: Wood or composite, flat or beveled

Trim: Rose

This template should not be used for HSLR trim. Use template L965 for HSLR trim.

For Case and Strike dimensions, see Template L1
Refer to Template L1 for information to prepare the door for wire routing

Left Hand (LH) Door Shown



* Centerline of Armor Front to Centerline of Latch dimension
** Additional preparation for L283-721, L283-722, L283-723, L283-724

Dimensions shown in parentheses () are in millimeters.

© 2019 Allegion
L905 Rev.08/19
us.allegion.com

DRAWING IS NOT TO SCALE!
Customer service: 877-671-7011

We can help you find the correct guide for your product and application!

Door preparation template

L905



L/LV/LM/LMV-Series

Model L/LV9070, L/LV9076, L/LV9080,
L/LV9080EL/EU, L9465, LM/LMV9370, LM/LMV9380

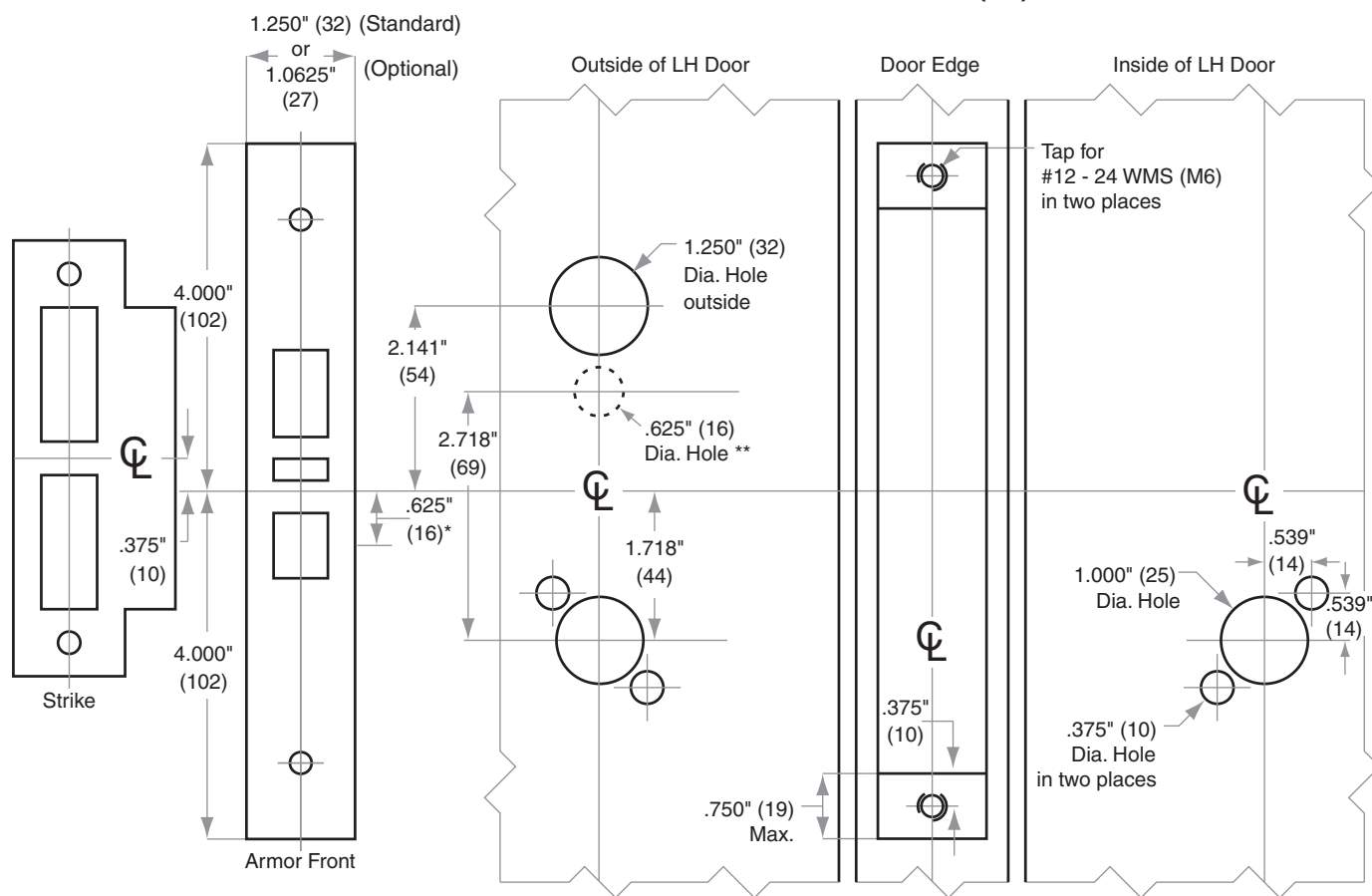
Door Type: Metal, flat or beveled

Trim: Rose

This template should not be used for HSLR trim. Use template L966 for HSLR trim.

**For Case and Strike dimensions, see Template L1
Refer to Template L1 for information to prepare
the door for wire routing**

Left Hand (LH) Door Shown



* Centerline of Armor Front to Centerline of Latch dimension
** Additional preparation for L283-721, L283-722, L283-723, L283-724

Dimensions shown in parentheses () are in millimeters.

© 2019 Allegion
L906 Rev.08/19
us.allegion.com

DRAWING IS NOT TO SCALE!
Customer service: 877-671-7011
**We can help you find the correct guide for
your product and application!**

Door preparation template

L906



L/LV/LM/LMV-Series

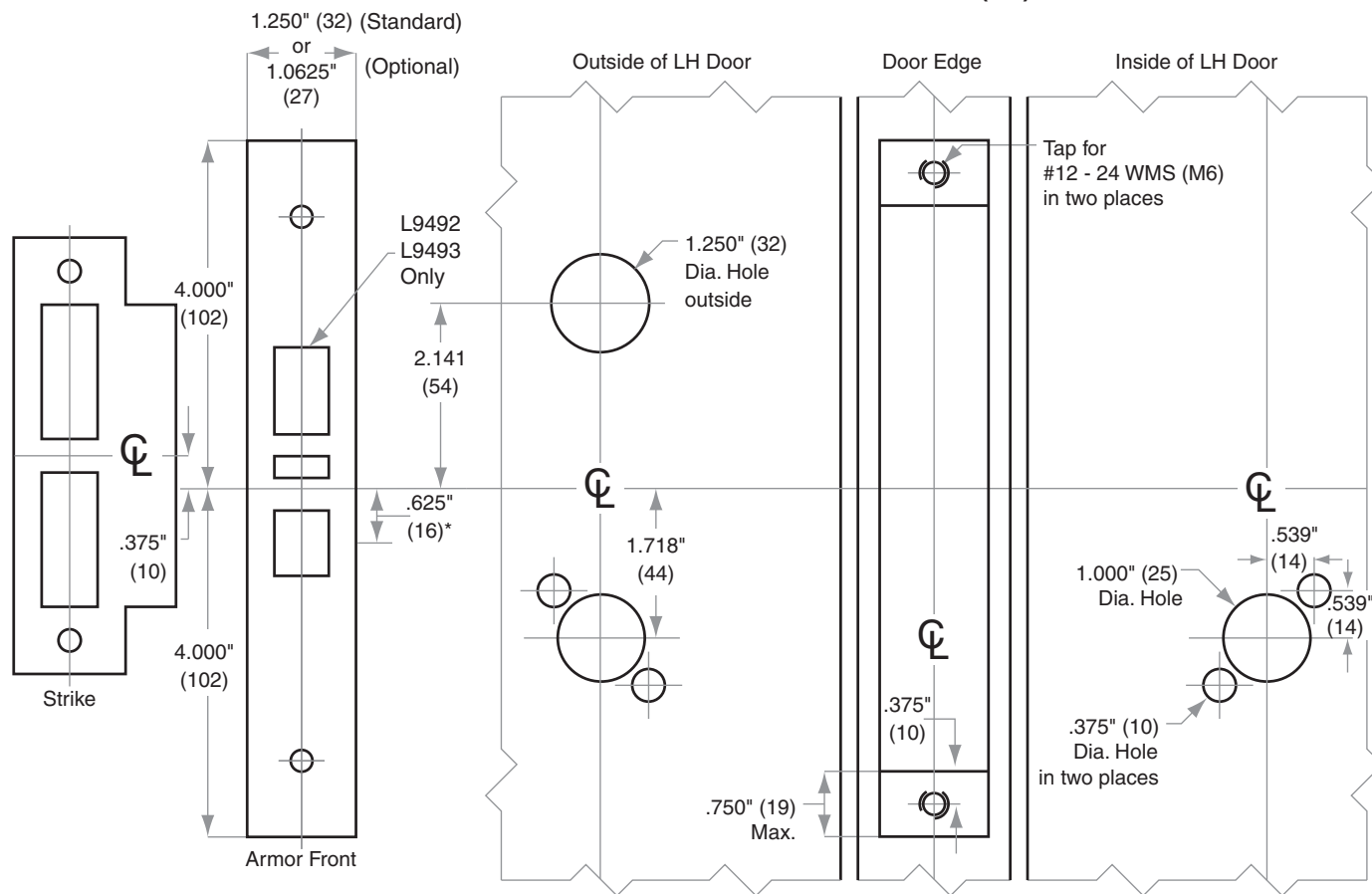
Models L9092, L9093 Electrified Locks

Door Type: Metal, flat or beveled
Trim: Rose

This template should not be used for HSLR trim. Use template L966 for HSLR trim.

For Case and Strike dimensions, see Template L1
Refer to Template L1 (revised October 2014 or later) for information to prepare the door for wire routing

Left Hand (LH) Door Shown



* Centerline of Armor Front to Centerline of Latch dimension

Dimensions shown in parentheses () are in millimeters.

© 2019 Allegion
L920 Rev.08/19
us.allegion.com

DRAWING IS NOT TO SCALE!
Customer service: 877-671-7011

We can help you find the correct guide for your product and application!

Door preparation template

L920



L/LV/LM/LMV-Series

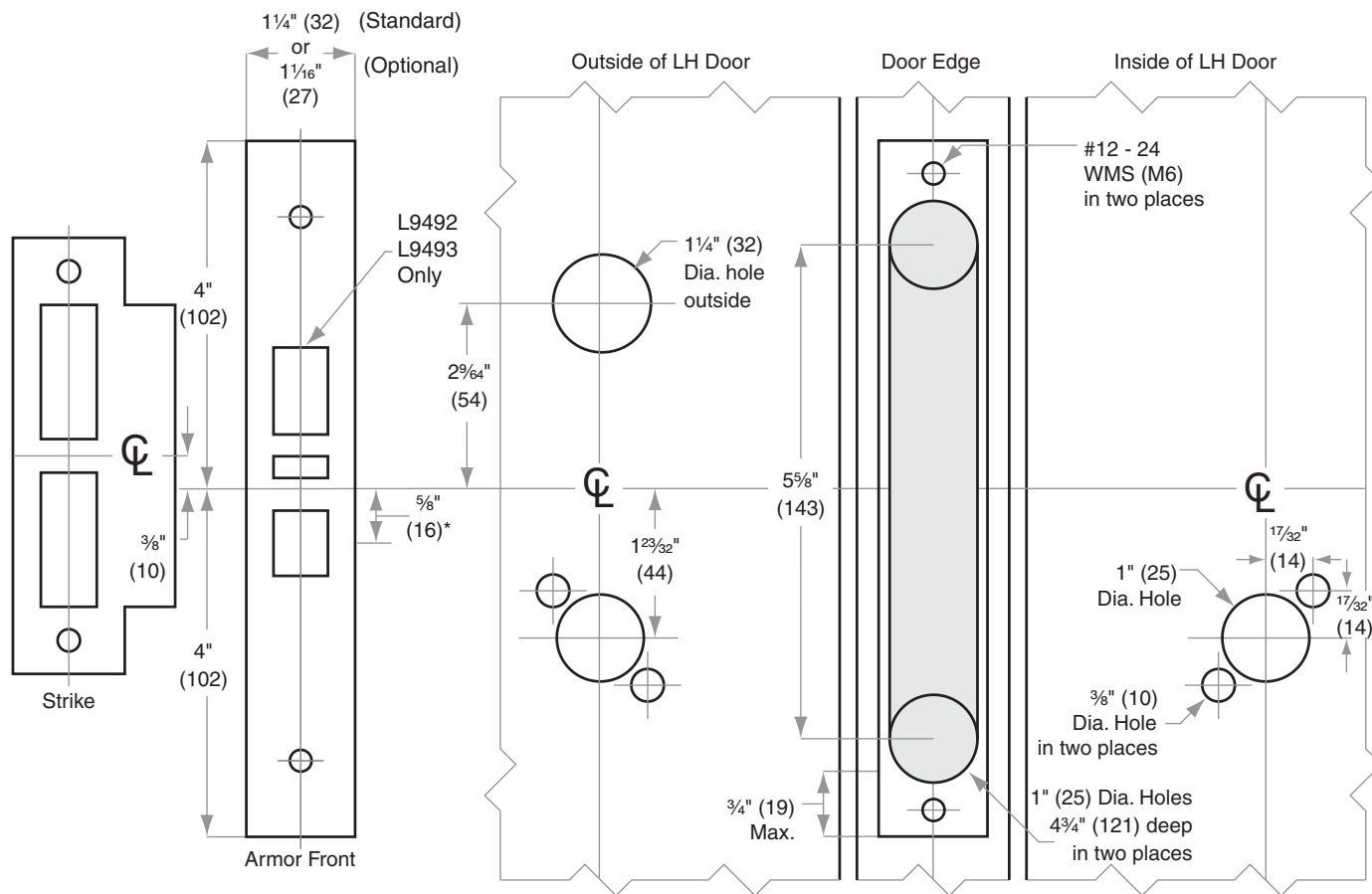
Models L9092, L9093 Electrified Locks

Door Type: Wood or composite, flat or beveled
 Trim: Rose

This template should not be used for HSLR trim. Use template L965 for HSLR trim.

For Case and Strike dimensions, see Template L1
Refer to Template L1 (revised October 2014 or later) for information to prepare the door for wire routing

Left Hand (LH) Door Shown



* Centerline of Armor Front to Centerline of Latch dimension

Dimensions shown in parentheses () are in millimeters.

© 2019 Allegion
 L922 Rev.08/19
 us.allegion.com

DRAWING IS NOT TO SCALE!
Customer service: 877-671-7011

We can help you find the correct guide for your product and application!

Door preparation template

L922