

# AD Series

## Exit Trim Compatibility



### Overview

The AD Series electronic lock is available in 993 Exit Trim for use on openings that require exit devices for either retrofit or new construction applications. Offline and networked solutions are available. The 993 Exit Trim was designed to suite with AD Series cylindrical and mortise locksets to ensure that the facility remains aesthetically consistent. The AD Series 993 Exit Trim utilizes universal hardware to simplify installation of offline trim to a variety of exit devices, including rim style from Von Duprin, Falcon, Sargent,® Precision™, Corbin Russwin, Dorma,® and Yale®.

#### Available Exit Trim Styles:

- 993R – Rim, concealed vertical rod or concealed vertical cable (CVR/CVC for metal doors only)
- 993S – Surface vertical rod
- 993M – Mortise

### Features & Benefits

- Multiple credential reader options
- Offline and networked communication options
- A wide variety of finishes and lever styles
- Power options that include hardwired (12 VDC or 24 VDC) or batteries (4AA or 8AA)
- Compatible with all Schlage Conventional, FSIC and SFIC formatted cylinders including many competitive OEM cylinders such as Sargent,® Corbin Russwin, Medeco® and Yale®

Exit Device Compatibility for AD-200/250, AD-300/302, AD-400/402<sup>3</sup>

Brand	Compatible Exit Devices	Rim	SVR	CVR/CVC	Mortise
Von Duprin®	98/99 and 98/99XP	●	●	● <sup>1</sup>	●
Von Duprin®	22/22F	●	●		
Falcon®	25 Series	●			
Sargent®	80 Series <sup>4</sup>	●			
Corbin Russwin®	5000 <sup>4</sup>	●			
Yale®	7000 <sup>4</sup>	●			
Dorma®	9300 <sup>4</sup>	●			
Precision™	21 <sup>4</sup> (2100 converts to 21 with Precision's BP21 kit)	●			

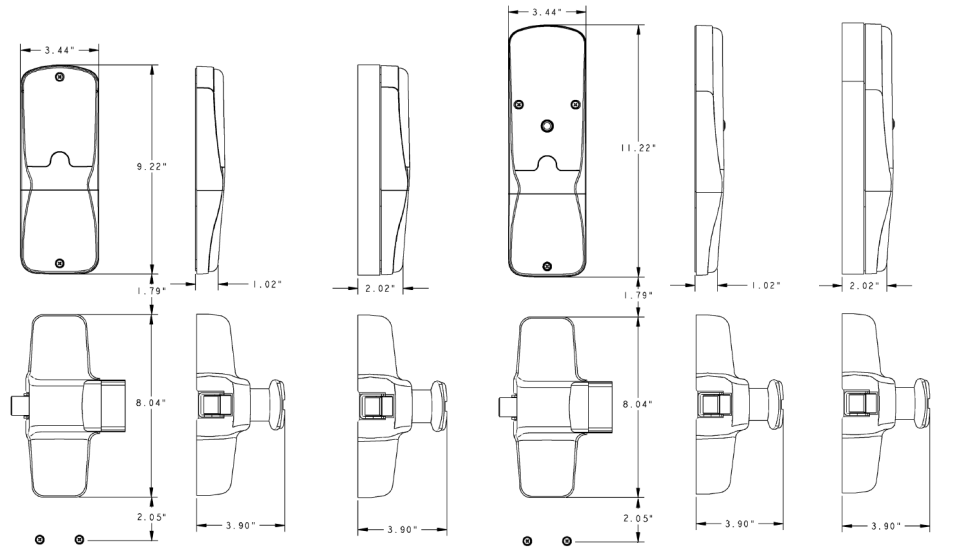
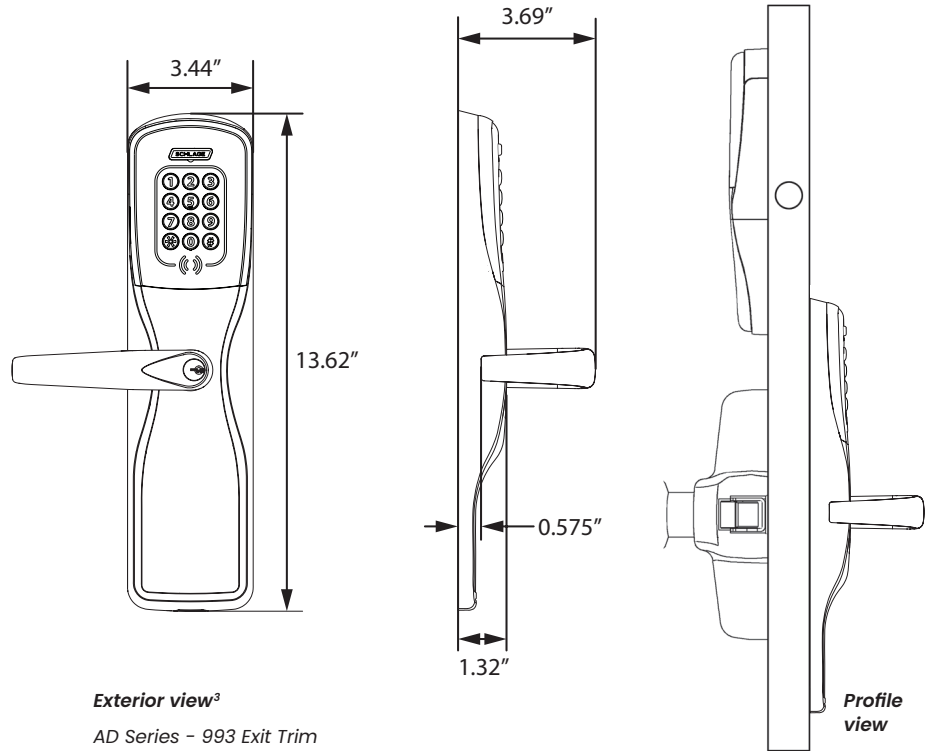
1. For metal doors only  
 2. Narrow design and reversible rim exits not compatible.  
 3. The proper low current request to exit switch (RX-LC) is required for AD-300/302 and AD-400/402. Part numbers for request to exit switch:  
 • Von Duprin: 050281  
 • Falcon: 650359  
 4. Performance using exit devices other than Von Duprin or Falcon may vary and is dependent on competitive switches.

### Available AD Series Reader Modules<sup>2</sup>

- Multi-technology (125 kHz proximity and 13.56 MHz smart card)
- FIPS 201-2 compliant multi-technology (125 kHz proximity and 13.56 MHz smart card)
- Smart –HID support
- NFC mobile enabled
- Magnetic stripe
- Keypad only
- All credential readers available + keypad

### Available Communication Options

- AD-400: Networked wireless locks
- AD-402: Networked wireless locks – FIPS 201-2 compliant
- AD-300: Networked hardwired locks
- AD-302: Networked hardwired locks – FIPS 201-2 compliant
- AD-250: Offline, access rights stored on the magnetic stripe credential
- AD-200: Offline, access rights stored on the lock



**Interior view<sup>1</sup>**

AD-200/250/  
300/302 –  
all styles

**Side view**

AD-200/250/  
300/302 –  
rim/CVR/CVC  
or mortise

**Side view**

AD-200/250/  
300/302  
SVR

**Interior view**

AD-400/402  
all styles

**Side view**

AD-400/402  
rim/CVR/CVC  
or mortise

**Side view**

AD-400/402  
SVR

1. AD-300/302 includes LED indicator
2. Unlike other AD Series chassis styles, upgrading reader modules on the 993 Exit Trim requires the exterior escutcheon to be removed from the door
3. (2) #7 fasteners with decorative washers located 11.88" below bottom edge of lock