



Schlage Control® Smart Lock

Mobile Enabled Wireless
Deadbolt & Interconnected Lock



Overview

The Schlage Control® mobile enabled smart lock was designed specifically for multifamily resident doors. It allows properties to offer smart security to residents and intelligent efficiency to property managers.

Residents will appreciate the security and convenience of using smart devices and/or smart credentials to open their doors today. And, through compatibility with Bluetooth® mobile credentials, Schlage makes it possible for software providers to enable residents to arrange in-unit package delivery and other services in the future.*

The open architecture capabilities of Schlage Control mobile enabled smart locks offer properties the freedom to use the physical access control (PACS) or PropTech provider of their choice to manage security and a wide spectrum of needs. Through these providers, properties are able to extend the possibilities of their locks beyond security.

For a simpler solution, managing access rights couldn't be easier than by using Allegion software. Staff can configure and manage access from virtually anywhere. And with the capability to view history of access, get usage data, receive alerts and more, it improves the intelligence and productivity of the staff and property.

Schlage Control mobile enabled smart locks are part of an extensive portfolio from Allegion™, which offers solutions for every opening within a multifamily property.

Features & Benefits

- Mobile enabled Schlage Control is ready for the future with the ability to read Schlage MIFARE® smart and Bluetooth® mobile credentials
- Deadbolt (BE467F) and interconnected lock (FE410F) options
- Two styles with a broad selection of finishes and decorative lever designs
- Eliminates cost and hassle of managing keys
- AES-256 encryption keeps data and communications safe
- Interconnected lock provides single motion egress to comply with regional requirements
- Lock programming via smartphone or tablet (Bluetooth® connection)
- Supports networked (Gateway required), No-Tour and standalone applications

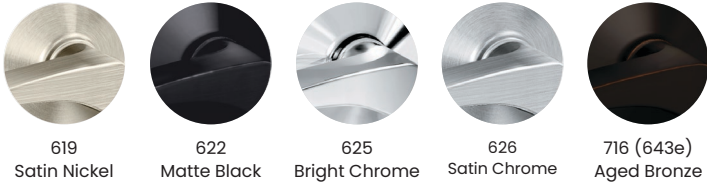
* Dependent on PACS provider integrations and capabilities. Go to us.allegion.com/alliances for more information.

CYBERSECURITY
Learn about Allegion's commitment

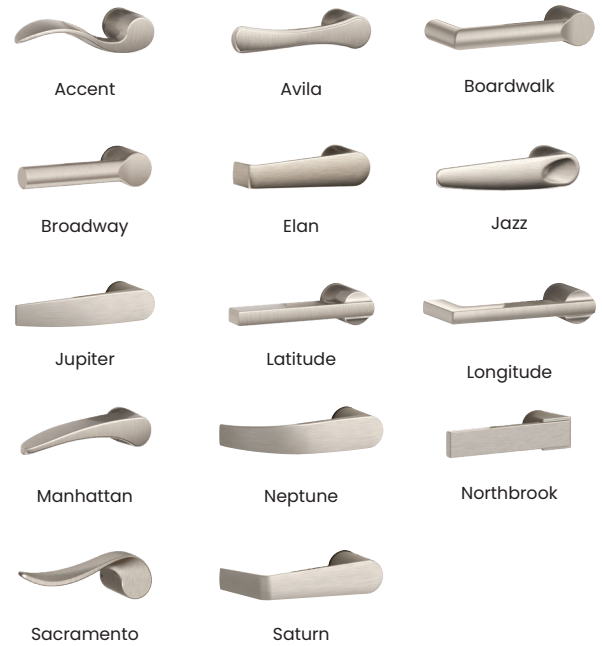
Design & Style

Schlage Control® mobile enabled smart locks have style options to fit the design of any property and offer full suiting with Schlage decorative mechanical locks and other Allegion solutions.

Finish Options



FE410F Lever Options



BE467F - Addison



BE467F - Greenwich



FE410F - Addison



FE410F - Greenwich

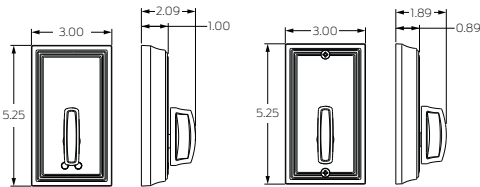


Note: Reference current pricebook to confirm finishes available by lever style.

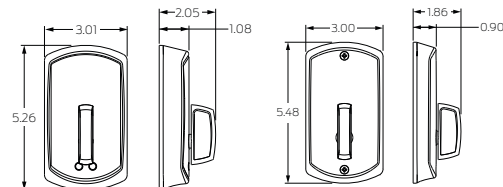
Dimensional Drawings

BE467F

Addison - exterior / interior

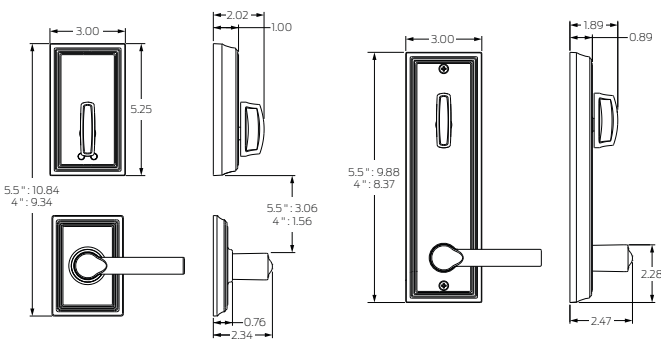


Greenwich - exterior / interior

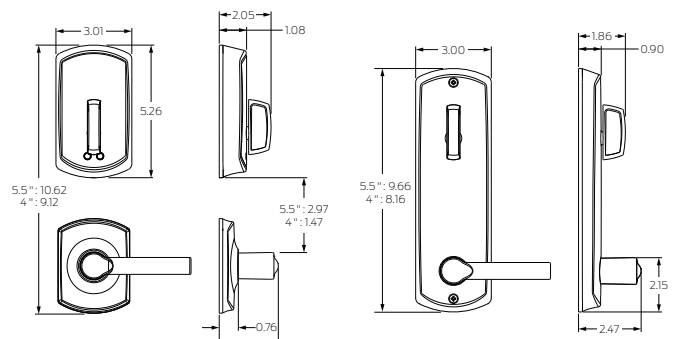


FE410F

Addison - 5.5" and 4" exterior / interior

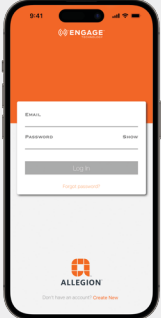


Greenwich - 5.5" and 4" exterior / interior





Choice Means Control

By working with the industry's best-in-class access control providers, we give properties the freedom to choose.



Use the ENGAGE mobile app to commission and connect devices to your access control system of choice





PACS/Proptech Provider Solutions

Schlage Control® mobile enabled smart locks are designed with open architecture capabilities. Because of this, multifamily properties have the flexibility to select the integrated physical access management (PACS) or Proptech system that best suits their needs and budget.

Visit us.allegion.com/alliances for more information on our PACS/Proptech providers and their capabilities.

Credentials

Residents are able to use a smart credential (fob, card or wristband) and/or a smart device to unlock their Schlage Control® mobile enabled smart lock – eliminating the need for traditional keys and saving properties time and money.



Specifications

Electronic Specifications	
Users	Up to 500 ¹
Audits	1,000 minimum ²
Visual and audible communications	Exterior LED (red, amber, green) Audible indicator (field configurable)
Communication standards	Bluetooth® low energy (version 4.2) Advanced Encryption Standard (AES), 256-bit
Gateway communication range (networked solution)	Up to 30' in typical building environments. A detailed site survey is recommended.
Wake-Up on Radio	Responds to command from host in less than 5 seconds when linked to ENGAGE Gateway (requires PACS provider solution)
Connectivity options	Bluetooth via mobile device (send updates at the lock) No-Tour ³ ENGAGE Gateway (real-time communication)
Available status signals	Battery status
Battery life	Up to 1-1/2 years (offline mode), up to 1 year (Bluetooth credential enabled); 4 AA batteries included
Operating temperature	Exterior: -31° to 151°F (-35° to 66°C) Interior: 14° to 122°F (-10° to 50°C)
Operating humidity	0 - 100% non-condensing

Reader Specifications	
Credential technologies	Smart (13.56 MHz), Bluetooth Low Energy (BLE) (2.4 GHz)
Standards	ISO 14443
Maximum read range	Smart: up to 1.25" Bluetooth Low Energy: up to 15'
Smart credential support	Schlage MIFARE Classic®, Schlage MIFARE® DESFire® EV1 and EV3
Mobile credential support ⁴	Schlage Mobile Bluetooth Credential, Integrated PACS mobile credential with Bluetooth

1. Maximum database storage capacity of lock.
Can vary by access control software database capacity.
2. Maximum audit storage capacity of lock.
Can vary by access control software audit storage capacity.
3. With MT20W and smart credential (1K byte Schlage MIFARE smart credential) or mobile credential (consult your access control software provider for specific support)
4. Dependent on PACS provider capabilities.
Visit us.allegion.com/alliances for more information.



Specifications

Mechanical Specifications	
Handing	Field reversible (FE410F)
Materials	All-metal chassis and escutcheon
Door thickness	1-3/8" - 1-3/4" (thick door kit available - up 2-1/4" for BE467F, up to 2" for FE410F)
Backset	Adjustable backset, fits 2-3/8" to 2-3/4" backsets
Latch	1" x 2-1/4" square and round corner faceplate (round corner standard, square corner included in package) 1" edge bore required
Deadbolt	Standard 1" (25 mm) throw
Strike	1-1/8" x 2-3/4", round corner, no box, latch strike Optional: Additional strike lip lengths and ANSI strike box available
Bore	2-1/8"
Stile width	Minimum 4-1/2" stile for 2-3/8" backset, minimum 5" stile for 2-3/4" backset

Certifications	
Certifications	BE467F: ANSI/BHMA A156.36 Grade 2 FE410F: ANSI/BHMA A156.12 Grade 2 ANSI/BHMA A156.5 Grade 2; UL 10C 90 minute; Canada UL 20 minute wood door rated; FCC Part 15; Industry Canada (IC); ADA compliant; FL3625

Ordering Information

FE410F - GRW - LAT - 626 - 55

Series	Style	Outside		Inside		Interconnect Type	Latch	Strike
		Lever Style	Finish	Lever Style	Finish			
1	2	3	4	5	6	7	8	9

See price book for specific configuration options.

1 Series	
BE467F	Schlage Control mobile enabled smart deadbolt
FE410F	Schlage Control mobile enabled smart interconnected lock

2 Escutcheon Style	
ADD	Addison
GRW	Greenwich

3/5 Lever ^{1,2} (for FE410F only)	
ACC	Accent
VLA	Avila
BRK	Boardwalk
BRW	Broadway
ELA	Elan
JAZ	Jazz
JUP	Jupiter
LAT	Latitude
LON	Longitude
MNH	Manhattan
NEP	Neptune
NBK	Northbrook
SAC	Sacramento
SAT	Saturn

4/6 Finish ¹	
619	Satin Nickel
622	Matte Black
625	Bright Chrome
626	Satin Chrome
716	Aged Bronze

7 Interconnect Type (for FE410F only)	
4"	For doors with 4" bore hole spacing (40)
5-1/2"	For doors with 5-1/2" bore hole spacing (55)

8 Latch	
12-398	Standard for BE467F - 90 min UL Deadbolt latch dual option (sq+rd)
12-356	Standard for FE410F - Combo latch, dual option (sq+rd), non-UL bolt, UL latch

9 Strike for BE467F	
10-116	Round corner strike, 1-1/8" x 2-3/4" - Standard
10-147	Square corner strike, 1-1/8" x 2-3/4"
10-095	Square corner full lip strike, 1-5/8" x 2-1/4" (Lip length: 1-1/8")
10-092	Round corner full lip strike, 1-5/8" x 2-1/4" (Lip length: 1-1/8")

10 Strike Combinations for FE410F	
10-152	Combo strike, square corner (10-147 and 10-026) - Standard
10-151	10-147 and 10-001
10-119	10-081 and 10-001
47344383	10-116 and 10-027
10-123	10-092 and 10-027
10-124	10-095 and 10-027

1. Only specify one finish if outside and inside are the same.
2. Some levers not available in all finishes - see price book for details.

