



47395380

AD993 Series Lock x 98/99 Exit Inside Push Button

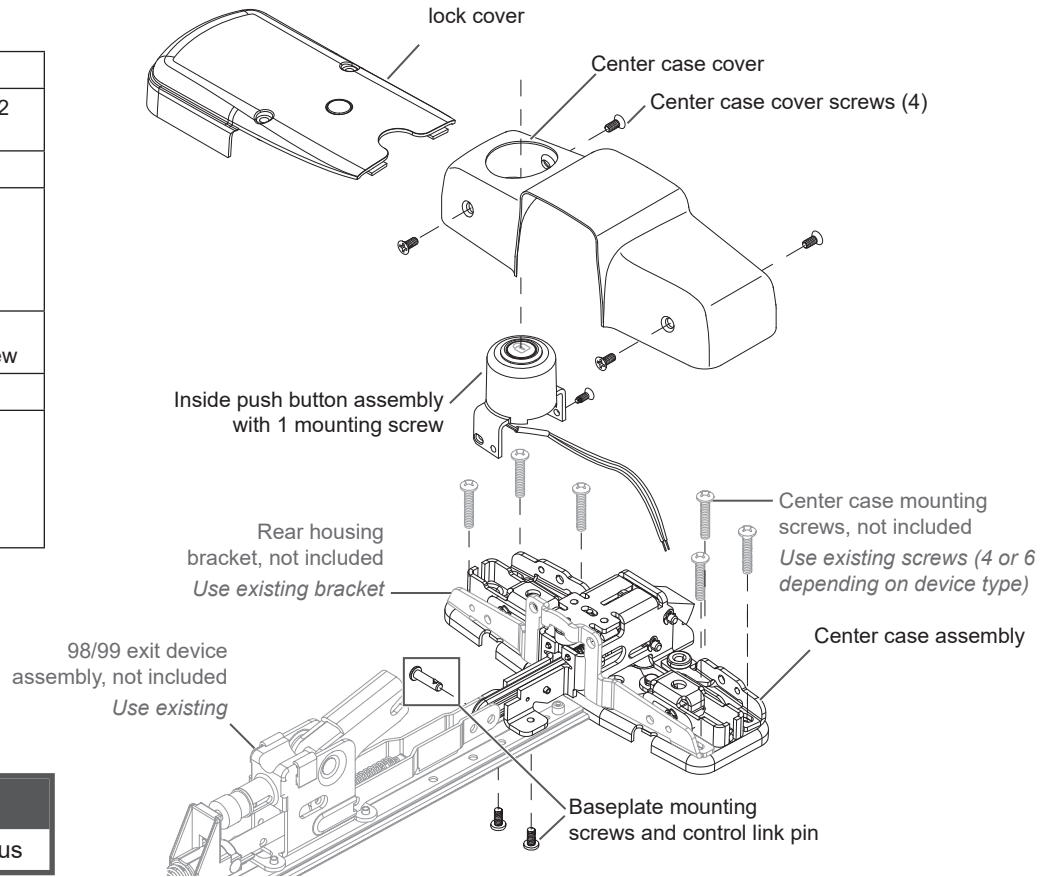


IPB Retrofit Kit for AD993 Series Lock x 98/99 Exit Device

Installation Instructions

Kit contents

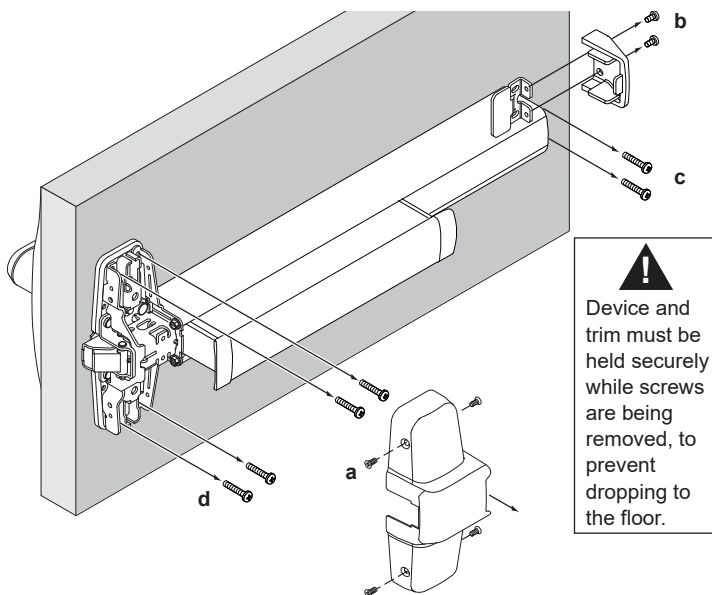
Quantity	Description
1	Inside AD Series lock cover w/ 2 security screws
1	Center case cover
1	Center case cover screw pack: 4 screws, #8-18 x 3/8" (finish supplied per order specification)
1	Inside push button assembly including one (1) mounting screw
1	98/99 center case assembly
1	Baseplate mounting pack: 4 screws, #8-32 x 5/16" 1 control link pin



Customer Service

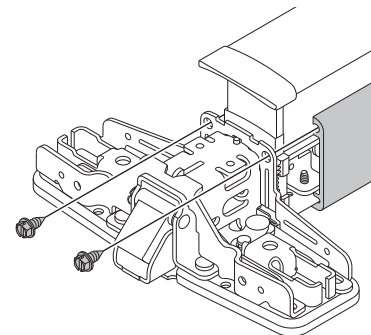
1-877-671-7011 www.allegion.com/us

1 Remove exit device from door.



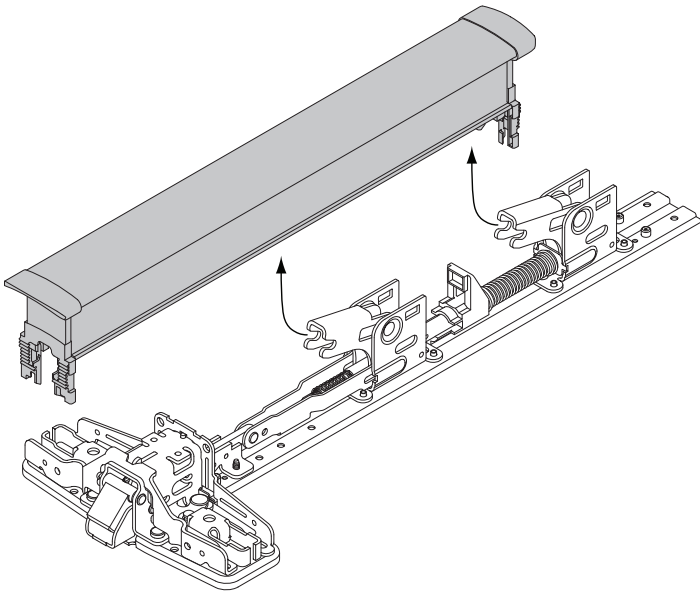
2 Remove mechanism case.

i Keep all screws for reinstallation.

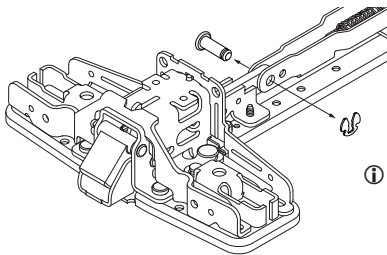


3 Remove pushpad from baseplate.

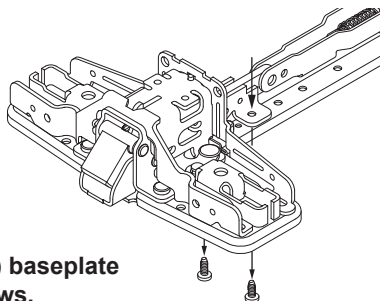
① Keep pushpad and pushpad guides.



4 Remove control link pin and mounting screws.

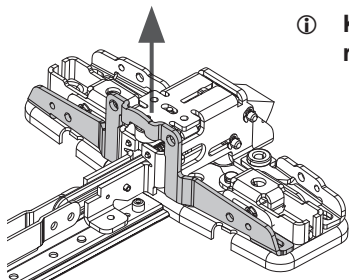


① Discard the pin and retaining ring (if ring is present).



① Discard two (2) baseplate mounting screws.

5 Remove rear housing bracket.

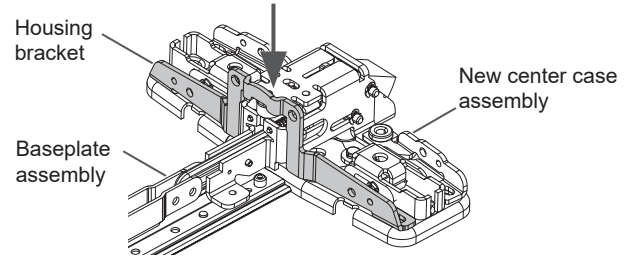


① Keep bracket for reinstallation.

6 Discard existing center case assembly.

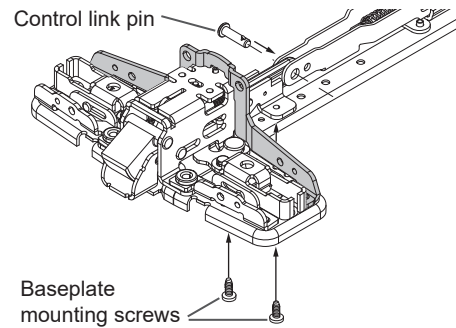
7 Attach new center case assembly to device baseplate.

7a Place new center case assembly onto the baseplate assembly. Then, place rear housing bracket onto center case assembly.



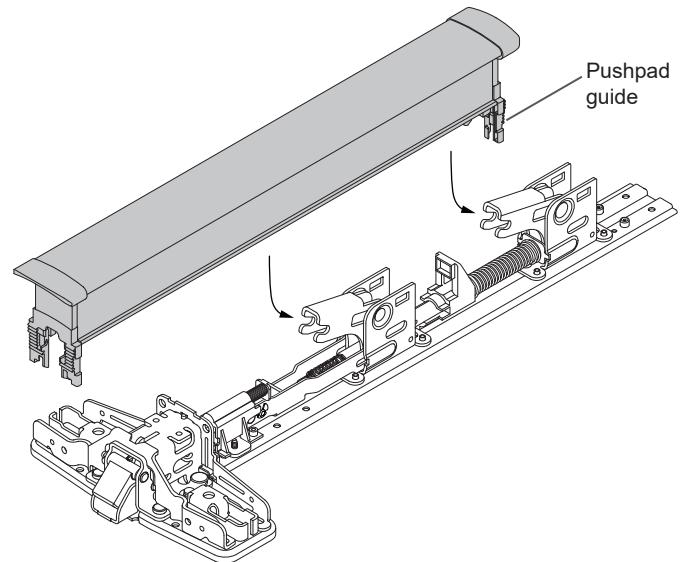
7b Attach new center case assembly to device baseplate with two (2) new baseplate mounting screws.

7c Install new control link pin.

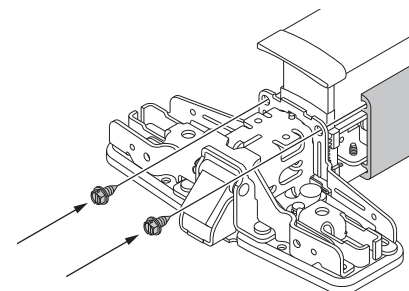


8 Replace the pushpad on the baseplate.

Ensure the pushpad guides are in place on the pushpad.



9 Reinstall mechanism case.



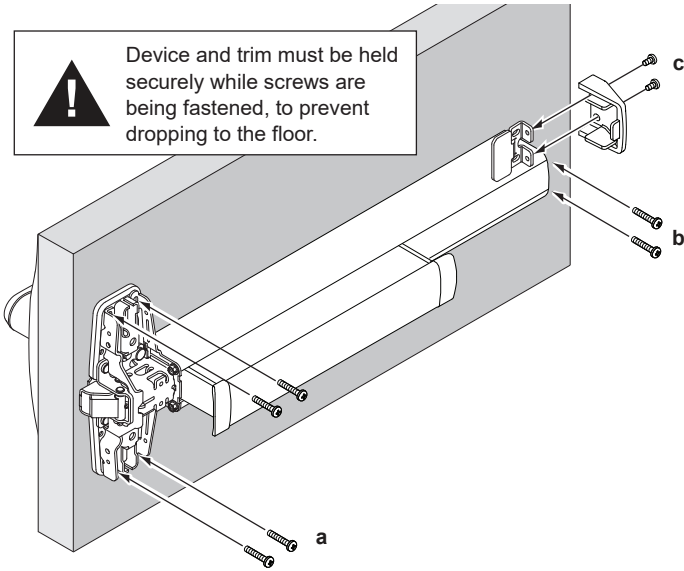
10 Attach exit device to the door.

ⓘ **Do not install the center case cover at this time.**

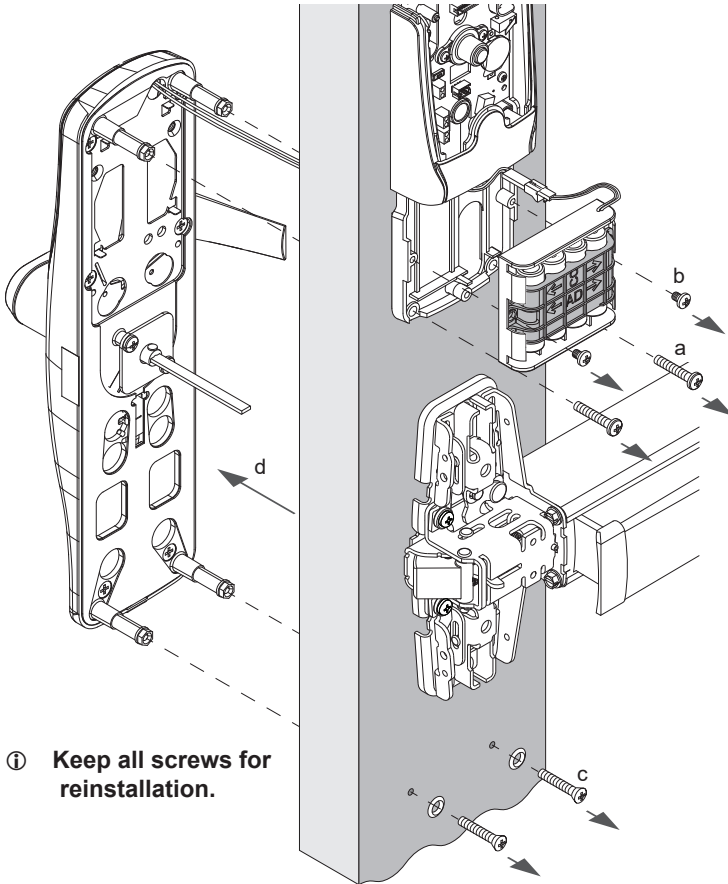
Be sure the 3/8" through hole is provided for the Remote IPB wiring.



Device and trim must be held securely while screws are being fastened, to prevent dropping to the floor.



11 Remove outside lock assembly.

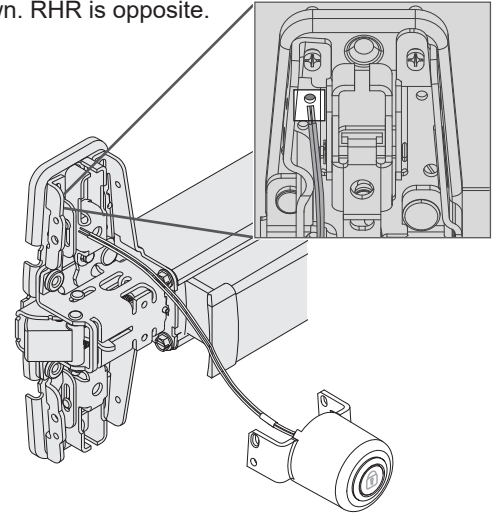


ⓘ **Keep all screws for reinstallation.**

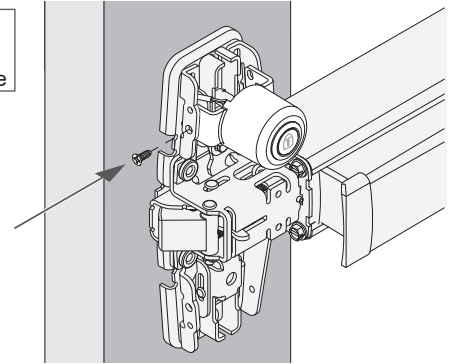
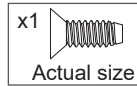
12 Route wiring for inside push button assembly.

Route wires through device center case to outside of the door.

LHR shown. RHR is opposite.

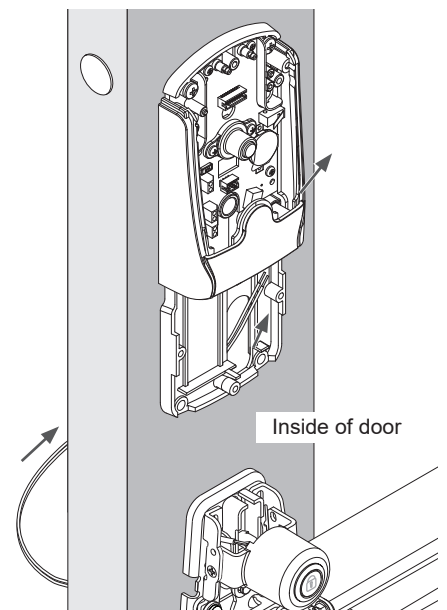
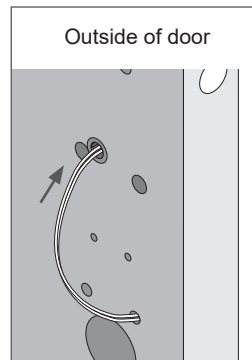


13 Fasten button assembly to exit device center case.



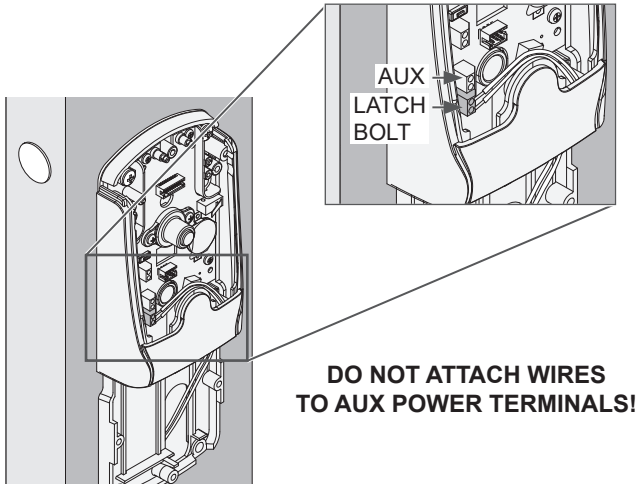
14 Route wires through door to AD400 lock.

Route wires back through the door to the inside lock assembly as shown. Drill through hole for wires if not already prepped.



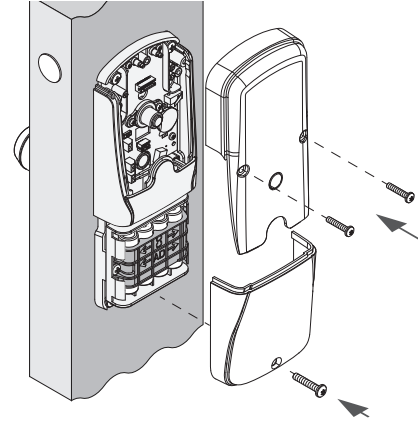
15 Attach wire leads to LATCH BOLT terminal.

① **IMPORTANT!** Attach the bottom wire first.

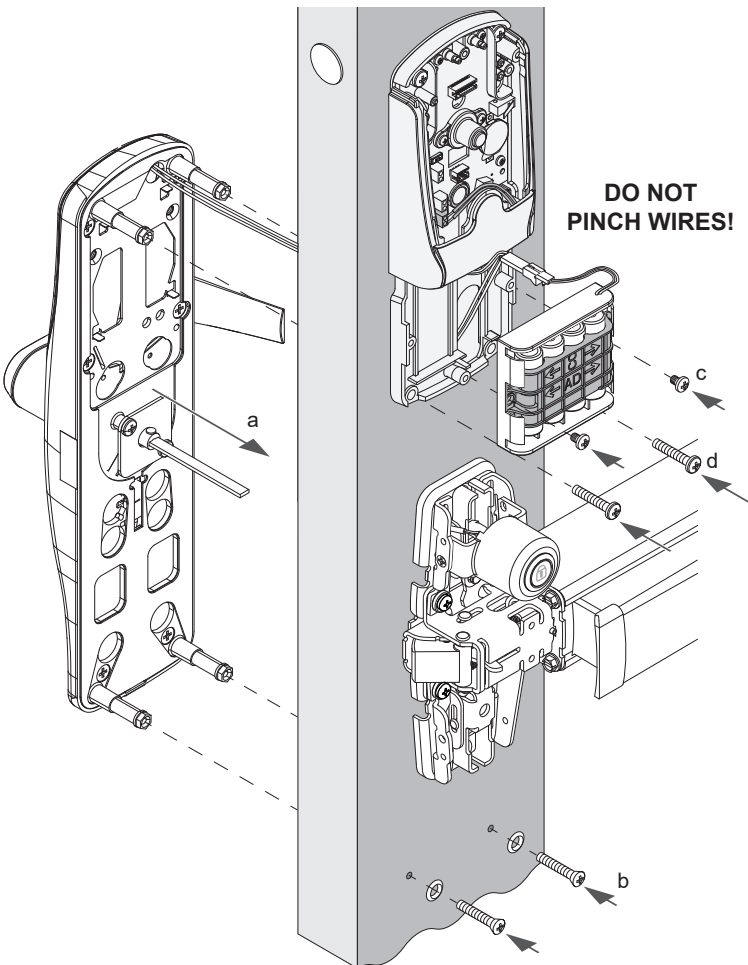


17 Reinstall battery cover & new top lock cover.

① Use existing lock cover screws or included security screws.

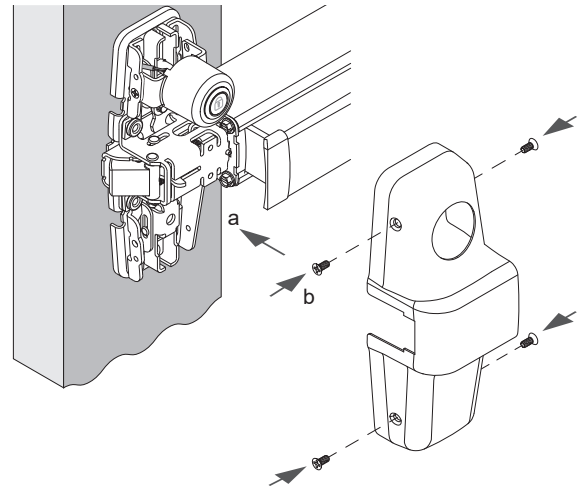


16 Reinstall outside lock assembly.



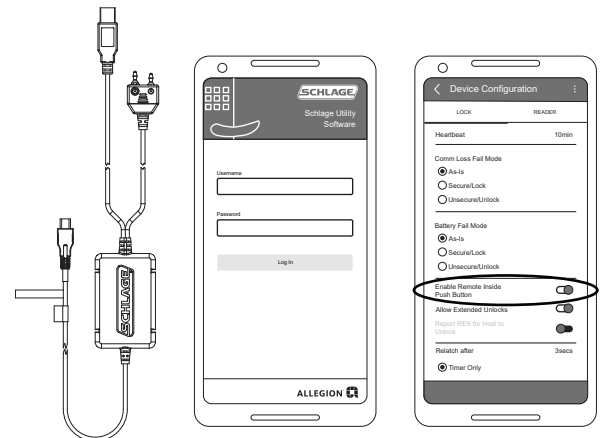
18 Install new exit device center case cover.

Attach the new center case cover with four (4) new screws.



19 Enable Inside Push Button

- Log into the SUS Mobile Application.
- Connect the SUS-A cable to the mobile device and lock.
- Select device name and go to the Device Configuration screen.
- Select "Enable Remote Inside Push Button" slider selection.



① The legacy HDD programming device does not support this new Remote IPB feature. Please use the SUS Mobile Application and SUS-A programming cable.

