

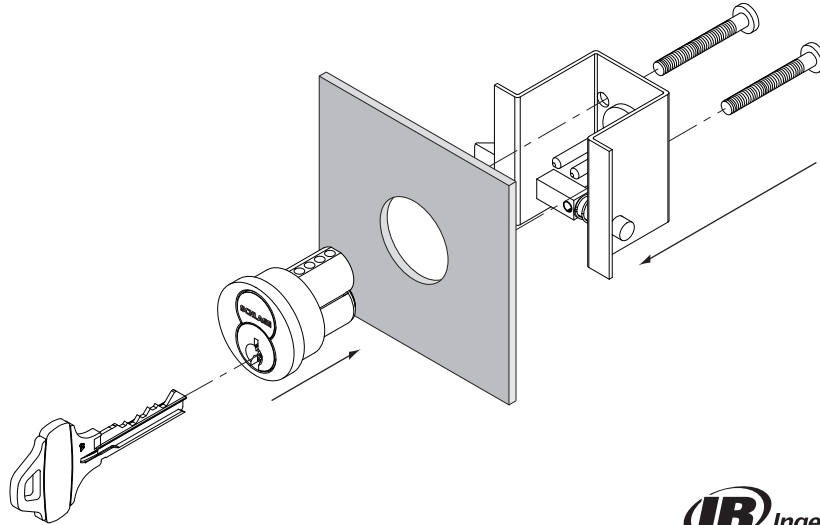
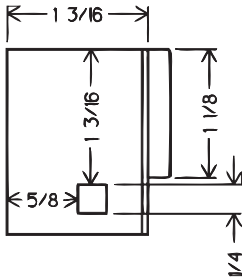
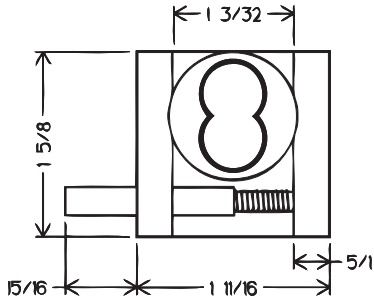
P515-841



Instrucciones de instalación

Installation Instructions
CL728

Notice d'installation



©2007 Schlage Lock Company
Printed in Country
P515-841 Rev. 1/08-a