



# CO Series

## Door Template Index



### **Cylindrical Lock**

[\(Wood Door\) CO-CY Cylindrical CO-100 Template - CO101](#)

[\(Metal Door\) CO-CY Cylindrical CO-100 Template - CO102](#)

[\(Wood Door\) CO-CY Cylindrical CO-200/250 Template - CO201](#)

[\(Metal Door\) CO-CY Cylindrical CO-200/250 Template - CO202](#)

### **Mortise Lock**

[\(Wood Door\) CO-MS Mortise CO-100 Template - CO103](#)

[\(Metal Door\) CO-MS Mortise CO-100 Template - CO104](#)

[\(Wood Door\) CO-MS Mortise CO-200/250 Template - CO203](#)

[\(Metal Door\) CO-MS Mortise CO-200/250 Template - CO204](#)

### **Mortise Deadbolt Lock**

[\(Wood Door\) CO-MD Mortise Deadbolt CO-100/200/250 Template - CO105](#)

[\(Metal Door\) CO-MD Mortise Deadbolt CO-100/200/250 Template - CO106](#)

### **993R/S Rim & Surface Vertical Exit Device Trim**

[\(Wood Door\) CO-993R/S Exit Device CO-100/200/250 Template - CO107](#)

[\(Metal Door\) CO-993R/S Exit Device CO-100/200/250 Template - CO108](#)

### **993M Mortise Exit Device Trim**

[\(Wood Door\) CO-993M Exit Device CO-100/200/250 Template - CO109](#)

[\(Metal Door\) CO-993M Exit Device CO-100/200/250 Template - CO110](#)

### **993R Concealed Vertical Exit Device Trim**

[\(Metal Door\) CO-993R Exit Device CO-100/200/250 Template - CO112](#)

### **993R/S Rim and Surface Vertical Exit Device Dummy Trim**

[\(Wood Door\) CO-993R/S Exit, Dummy CO-100/200/250 Template - CO205](#)

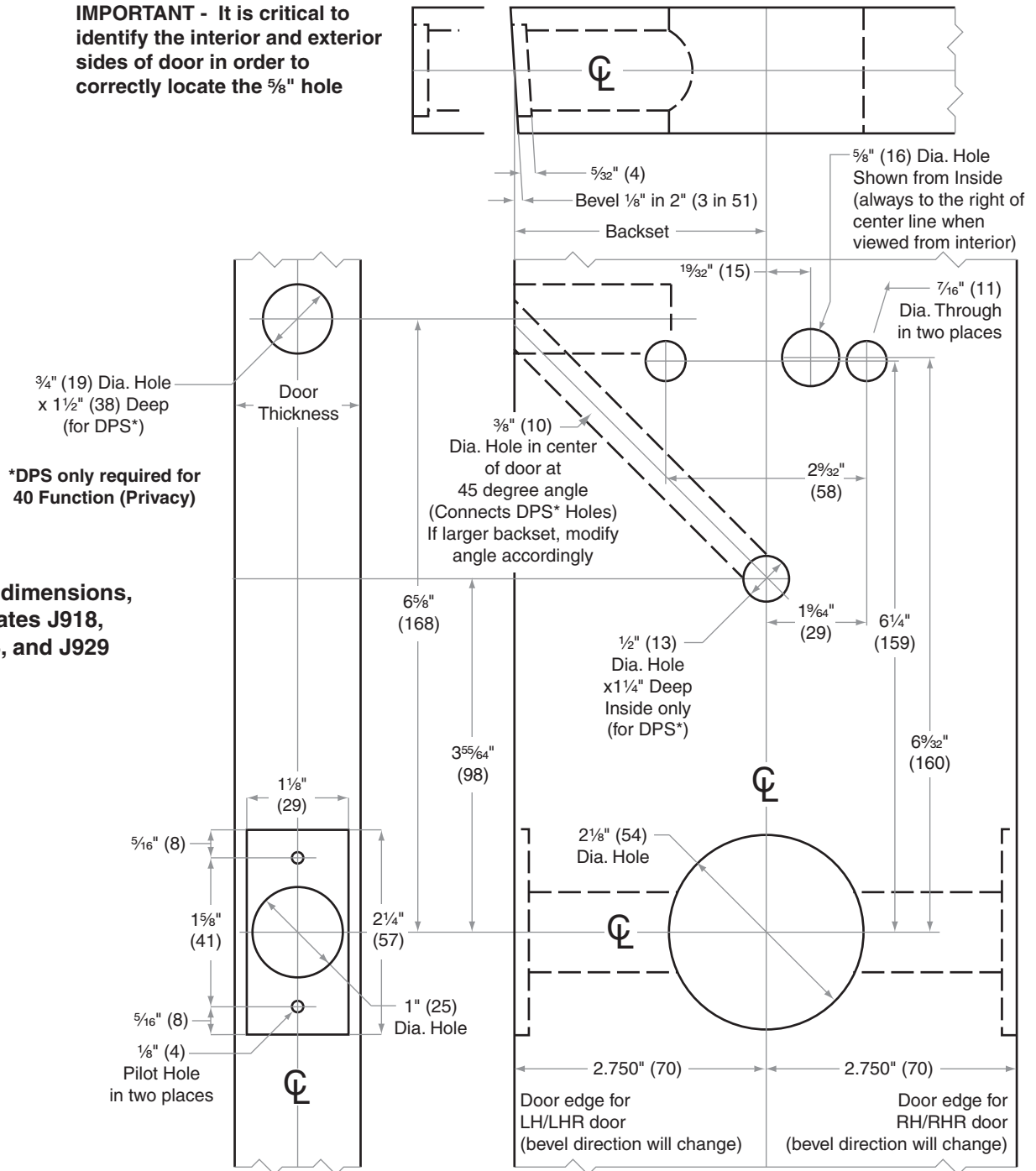
[\(Metal Door\) CO-993R/S Exit, Dummy CO-100/200/250 Template - CO206](#)

# CO-Series

## Model CO-100-CY

**Door Type:** Wood or Composite, Flat or Beveled  
**Door Thickness:** 1-3/8" (35 mm) – 2-3/4" (70 mm)  
**Faceplate:** Square Corner, 1-1/8" (29 mm) wide  
**Backsets:** 2-3/4" (70 mm), 2-3/8" (60 mm), 3-3/4" (95 mm), 5-3/4" (146 mm)

**IMPORTANT - It is critical to identify the interior and exterior sides of door in order to correctly locate the 5/8" hole**



Dimensions shown in parentheses ( ) are in millimeters.

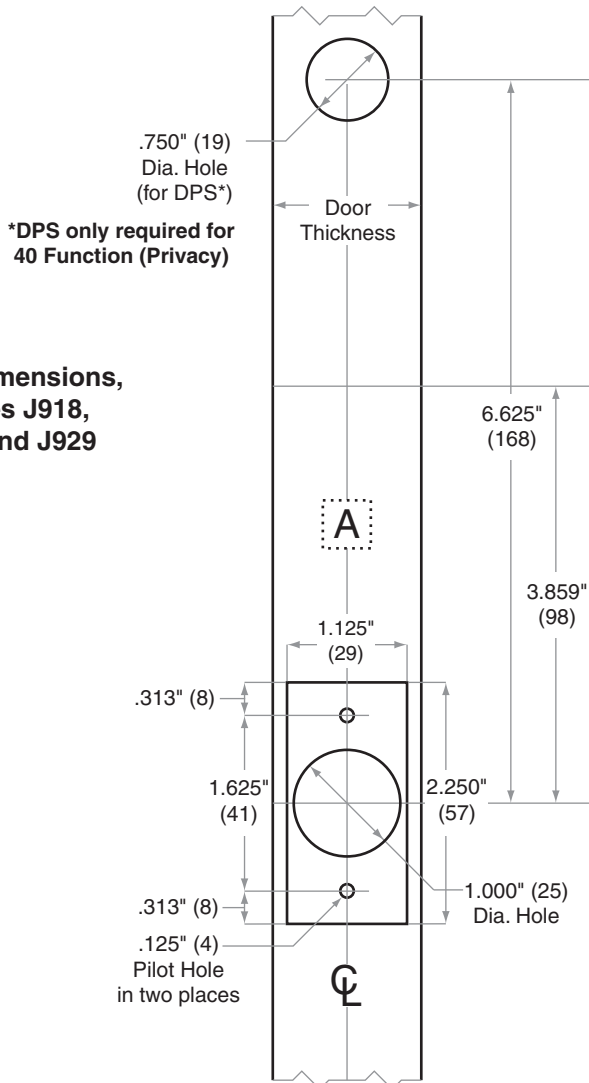
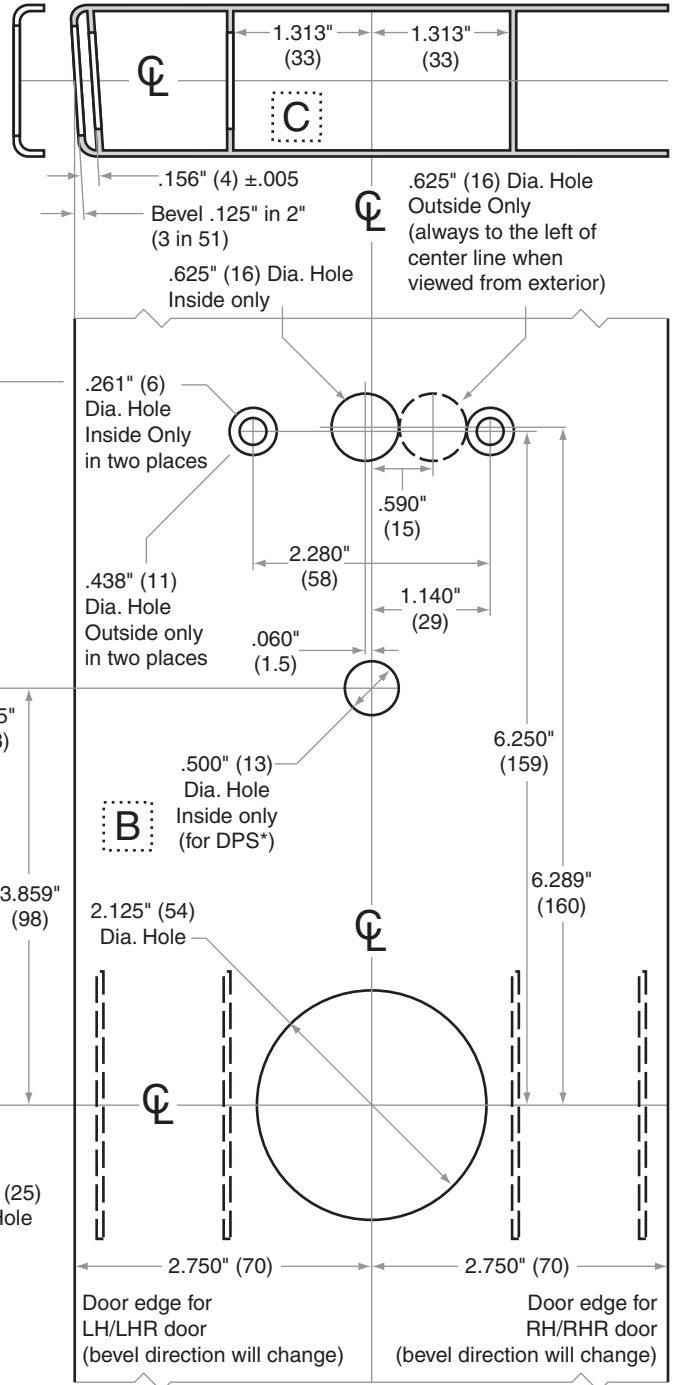
Door preparation template

# CO-Series

## Model CO-100-CY

**Door Type:** Metal, Flat or Beveled Conforms to ANSI/BHMA A156.115  
**Door Thickness:** 1-3/8" (35 mm) – 2-3/4" (70 mm)  
**Faceplate:** Square Corner, 1-1/8" (29 mm) wide  
**Backsets:** 2-3/4" (70 mm), 2-3/8" (60 mm), 3-3/4" (95 mm), 5-3/4" (146 mm)

**IMPORTANT - It is critical to identify the interior and exterior sides of door in order to correctly locate the .625" holes**



**For Strike dimensions, see Templates J918, J919, J928, and J929**

**\*DPS only required for 40 Function (Privacy)**

Dimensions shown in parentheses ( ) are in millimeters.

Door preparation template

# CO102

# CO-Series

## Model CO-100-MS

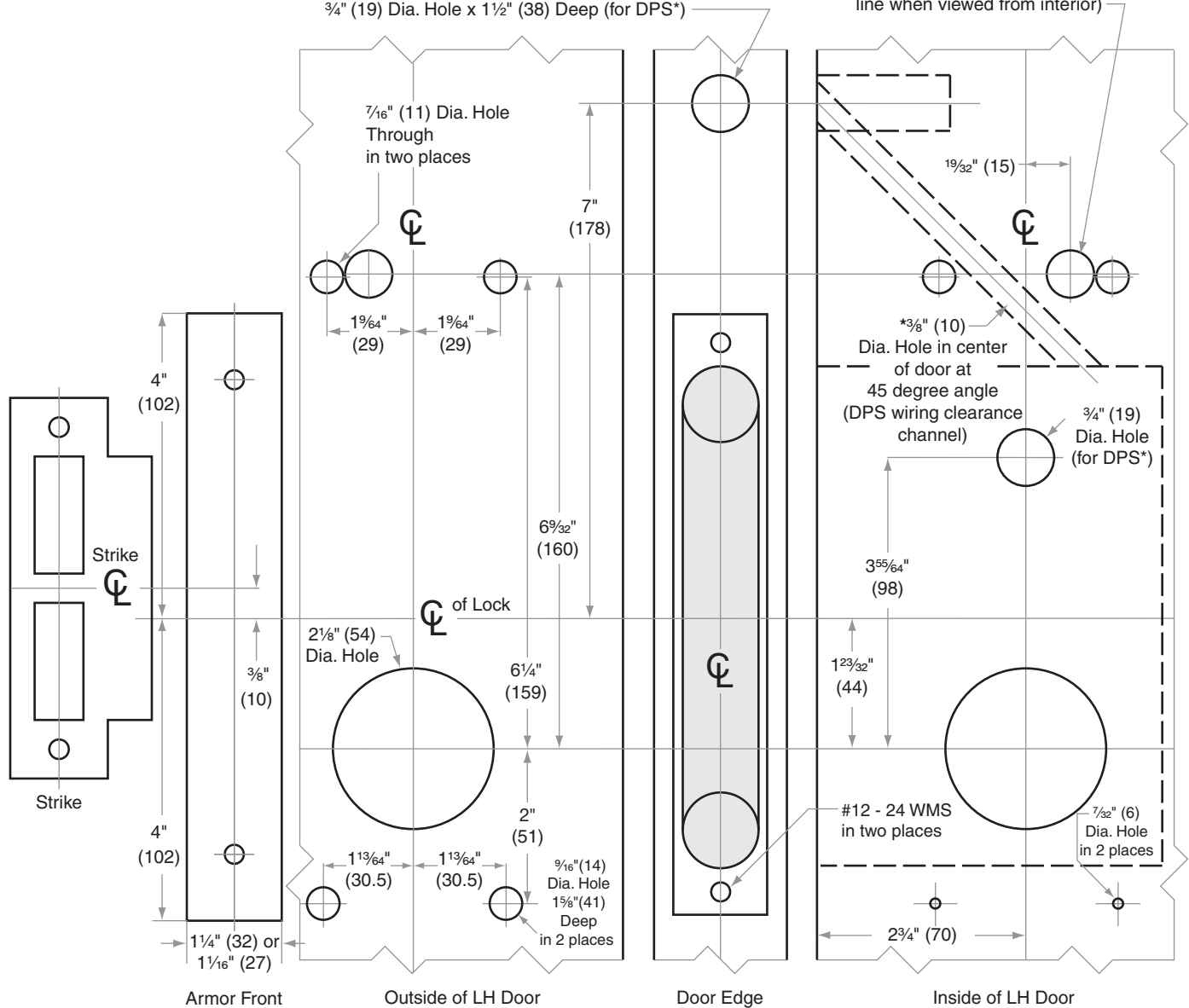
**Door Type:** Wood or Composite, Flat or Beveled      Conforms to ANSI BHMA A156.115-W  
**Door Thickness:** 1-3/8" (35 mm) – 2-3/4" (70 mm)  
**Faceplate:** Square Corner, 1-1/16" (27 mm) or 1-1/4" (32 mm) wide  
**Backsets:** 2-3/4" (70 mm)

**For Mortise Case Dimensions, see Template L1**  
**For Mortise Strike Dimensions, see Templates J918, J919, and J557**  
**Left Hand (LH) Door Shown**

**IMPORTANT - It is critical to identify the interior and exterior sides of door in order to correctly locate the 5/8" hole**

**\*DPS only required for 40 Function (Privacy)**  
 3/4" (19) Dia. Hole x 1 1/2" (38) Deep (for DPS\*)

5/8" (16) Dia. Hole Shown from inside (always to the right of center line when viewed from interior)



Dimensions shown in parentheses ( ) are in millimeters.

Door preparation template

# CO103

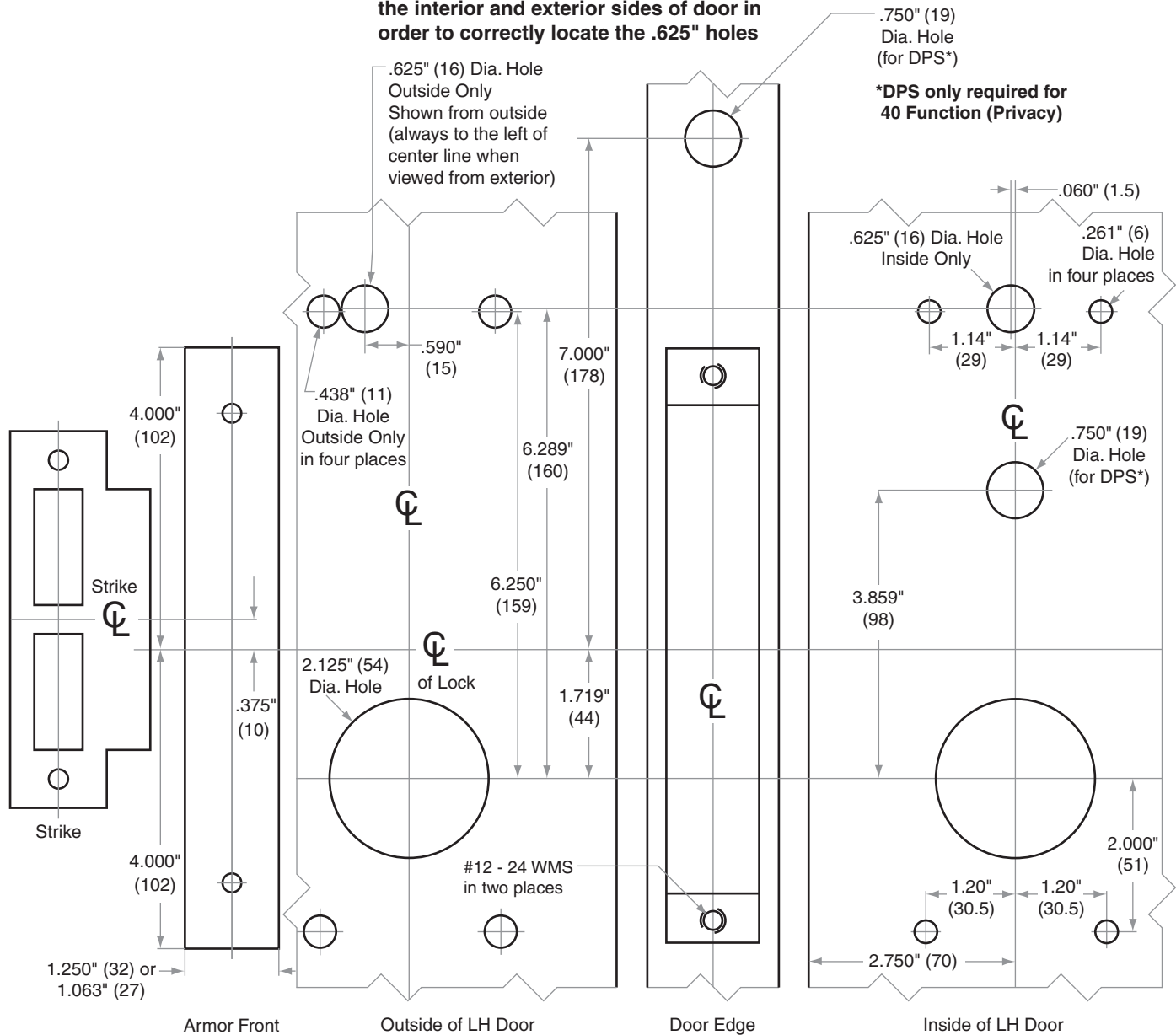
# CO-Series

## Model CO-100-MS

**Door Type:** Metal, Flat or Beveled Conforms to ANSI/BHMA A156.115  
**Door Thickness:** 1-3/8" (35 mm) – 2-3/4" (70 mm)  
**Faceplate:** Square Corner, 1-1/16" (27 mm) or 1-1/4" (32 mm) wide  
**Backsets:** 2-3/4" (70 mm)

**For Mortise Case Dimensions, see Template L1**  
**For Mortise Strike Dimensions, see Templates J918, J919, and J557**  
**Left Hand (LH) Door Shown**

**IMPORTANT - It is critical to identify the interior and exterior sides of door in order to correctly locate the .625" holes**



Dimensions shown in parentheses ( ) are in millimeters.

Door preparation template

# CO104

# CO-Series

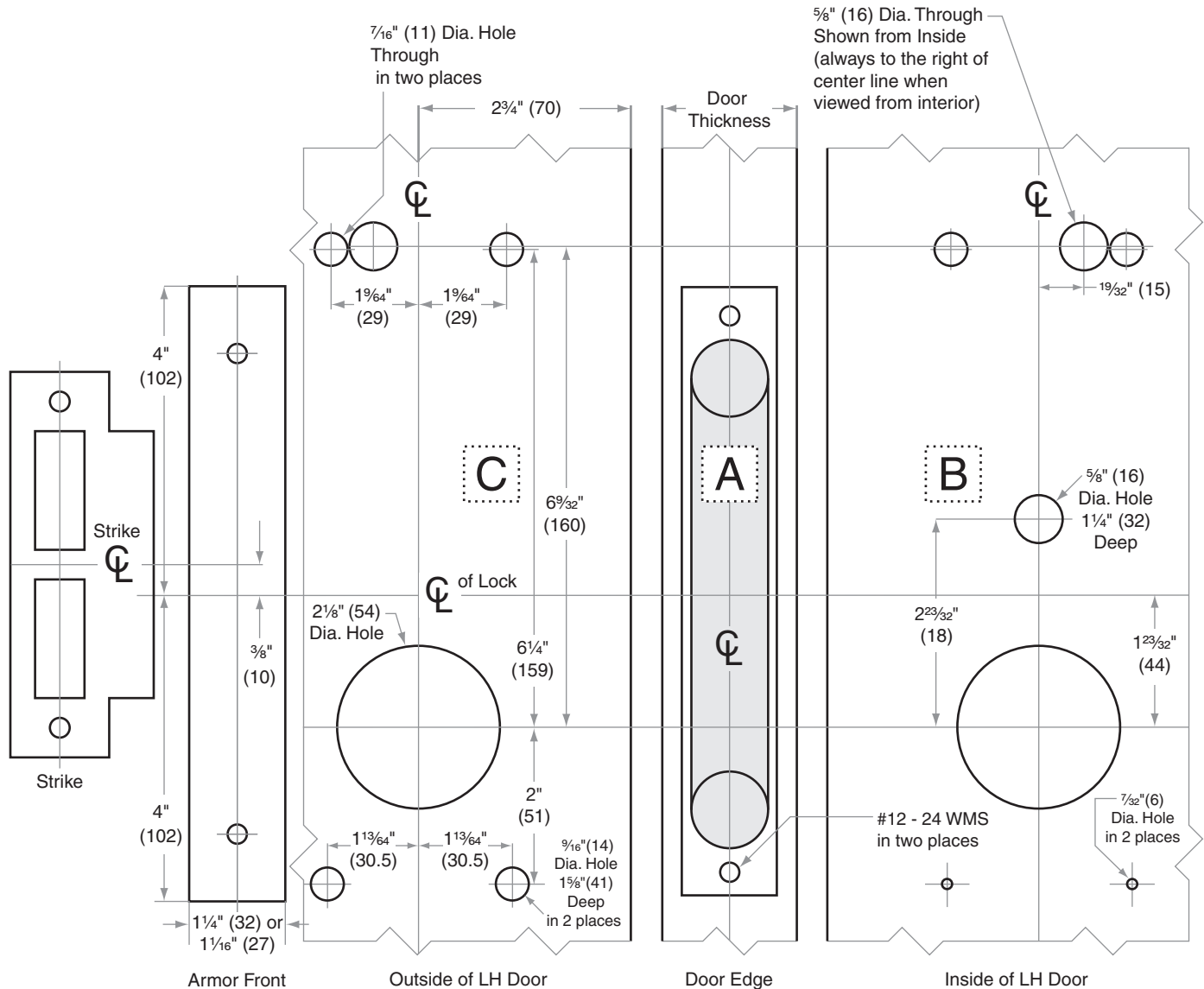
Models CO-100/200/250-MD

- Door Type:** Wood or Composite, Flat or Beveled      Conforms to ANSI BHMA A156.115-W  
**Door Thickness:** 1-3/8" (35 mm) – 2-3/4" (70 mm)  
**Faceplate:** Square Corner, 1-1/16" (27 mm) or 1-1/4" (32 mm) wide  
**Backsets:** 2-3/4" (70 mm)

**For Mortise Case Dimensions, see Template L1**  
**For Mortise Strike Dimensions, see Templates J918, J919, and J557**

**Left Hand (LH) Door Shown**

**IMPORTANT - It is critical to identify the interior and exterior sides of door in order to correctly locate the 5/8" hole**



Dimensions shown in parentheses ( ) are in millimeters.

Door preparation template

# CO105

# CO-Series

Models CO-100/200/250-MD

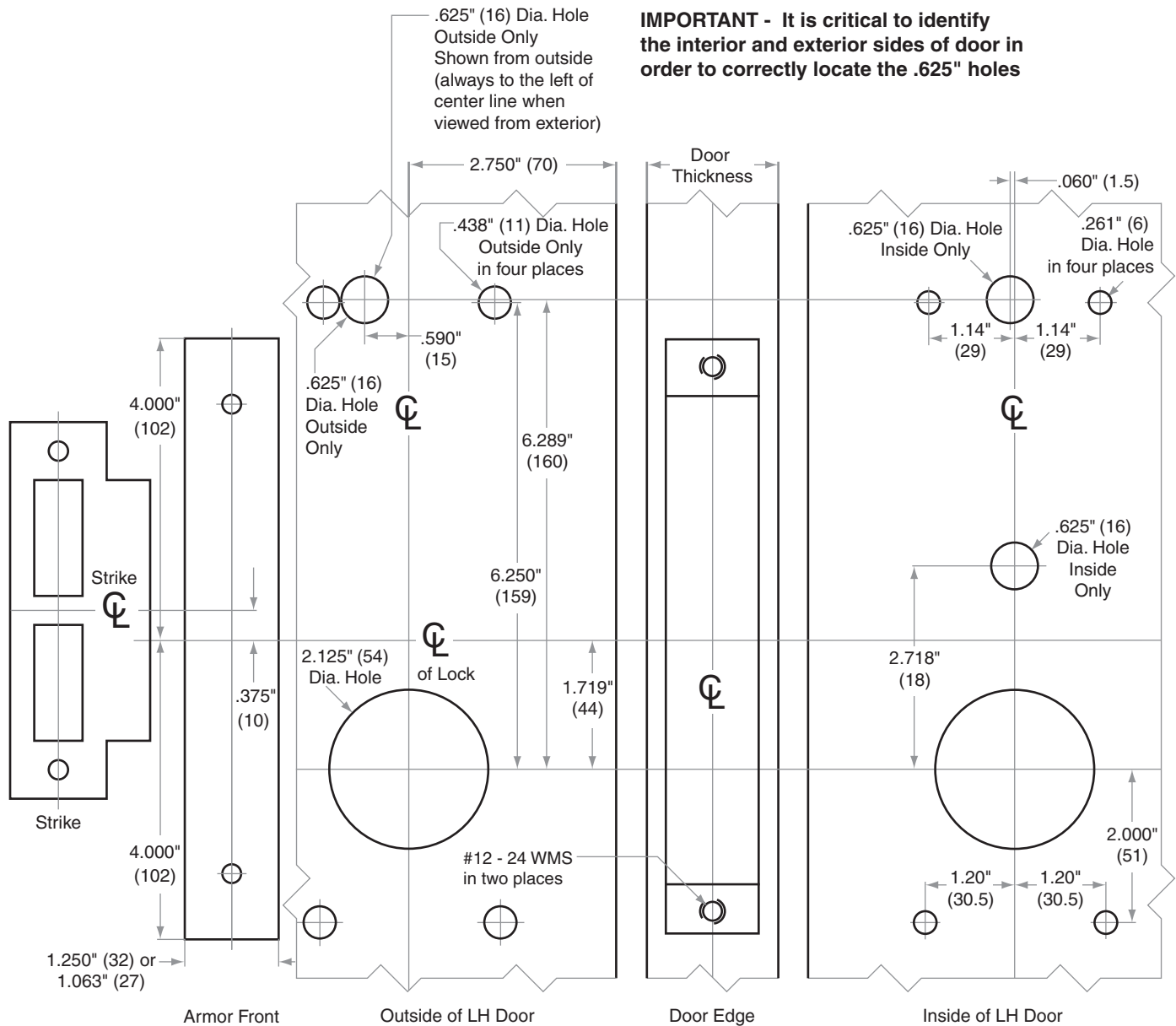
- Door Type: Metal, Flat or Beveled Conforms to ANSI/BHMA A156.115
- Door Thickness: 1-3/8" (35 mm) – 2-3/4" (70 mm)
- Faceplate: Square Corner, 1-1/16" (27 mm) or 1-1/4" (32 mm) wide
- Backsets: 2-3/4" (70 mm)

**For Mortise Case Dimensions, see Template L1**

**For Mortise Strike Dimensions, see Templates J918, J919, and J557**

### Left Hand (LH) Door Shown

**IMPORTANT - It is critical to identify the interior and exterior sides of door in order to correctly locate the .625" holes**



Dimensions shown in parentheses ( ) are in millimeters.

Door preparation template

# CO106



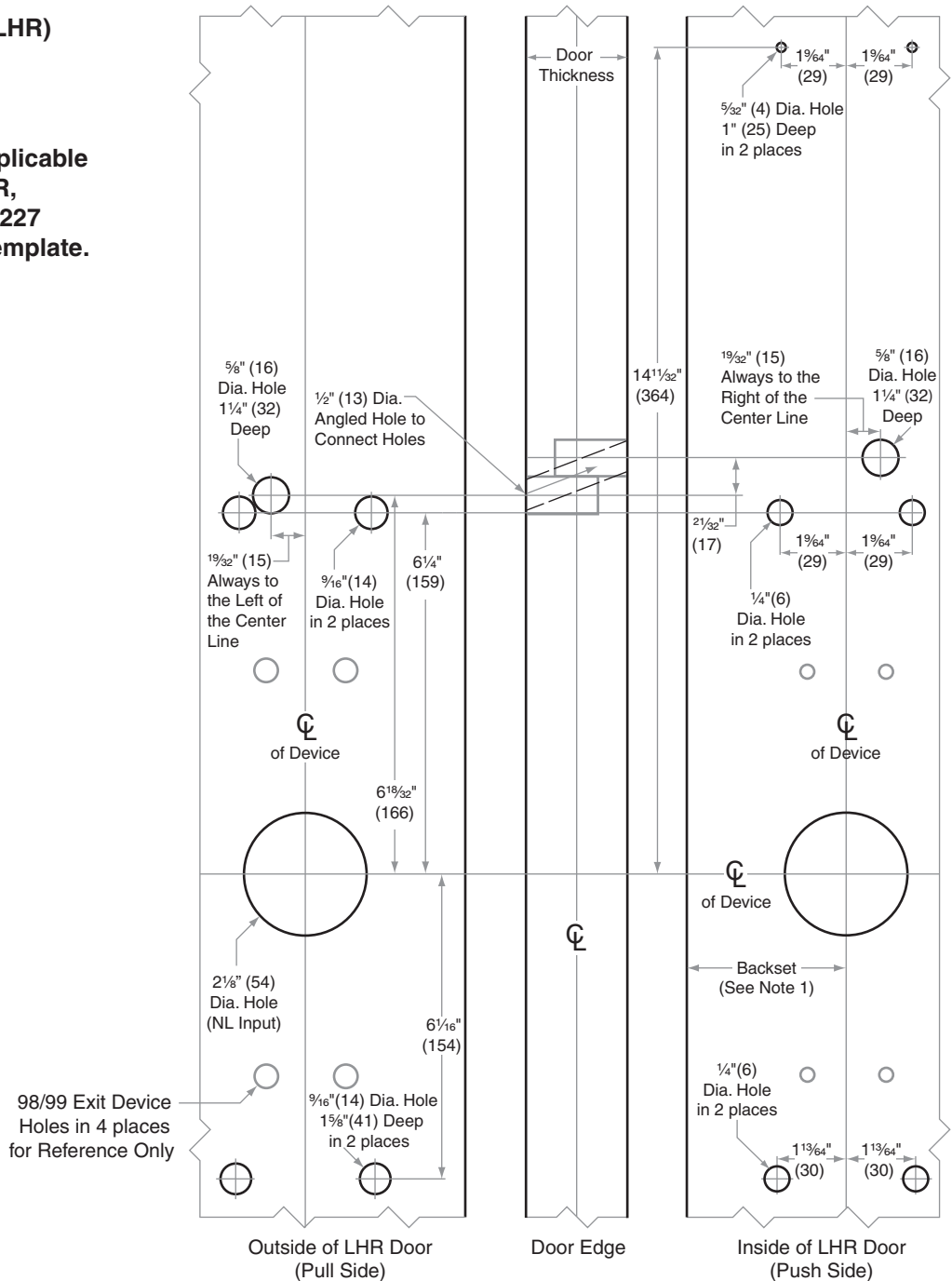
# CO-Series

Models CO-100/200/250-993R/S

Door Type: Wood Exit Devices: Rim, Surface Vertical  
 Door Thickness: 1-3/4" (44 mm) – 2-3/4" (70 mm)  
 Faceplate: None  
 Backsets: Various

## Left Hand Reverse (LHR) Door Shown

**Note 1:**  
**For Backset, See Applicable Von Duprin 98-R/99-R, 9827/9927, 22-R, or 2227 Series Exit Device Template.**



Dimensions shown in parentheses ( ) are in millimeters.

Door preparation template





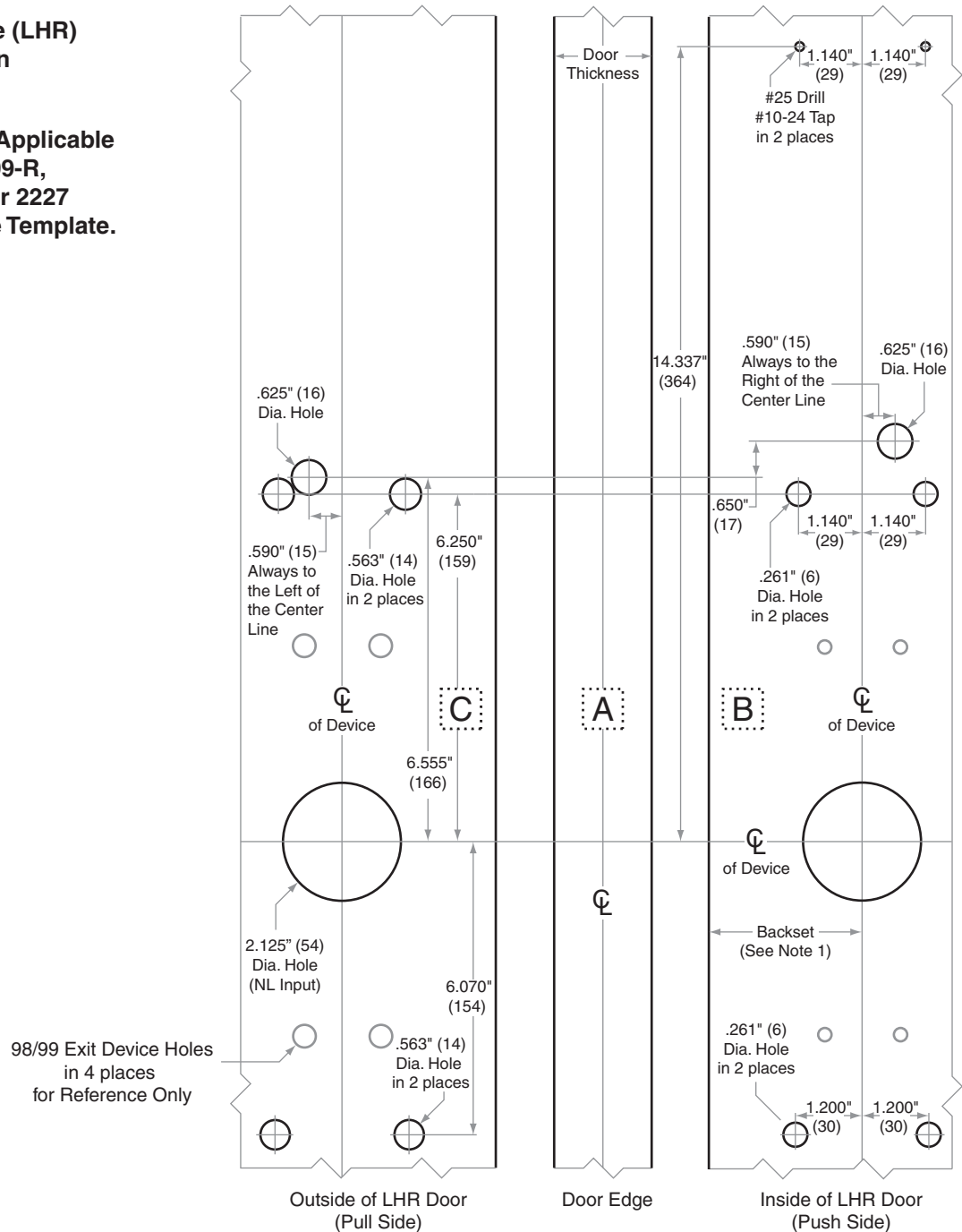
# CO-Series

Models CO-100/200/250-993R/S

Door Type: Metal Exit Devices: Rim, Surface Vertical  
 Door Thickness: 1-3/4" (44 mm) – 2-3/4" (70 mm)  
 Faceplate: None  
 Backsets: Various

## Left Hand Reverse (LHR) Door Shown

**Note 1:**  
**For Backset, See Applicable Von Duprin 98-R/99-R, 9827/9927, 22-R, or 2227 Series Exit Device Template.**



Dimensions shown in parentheses ( ) are in millimeters.

Door preparation template

# CO108



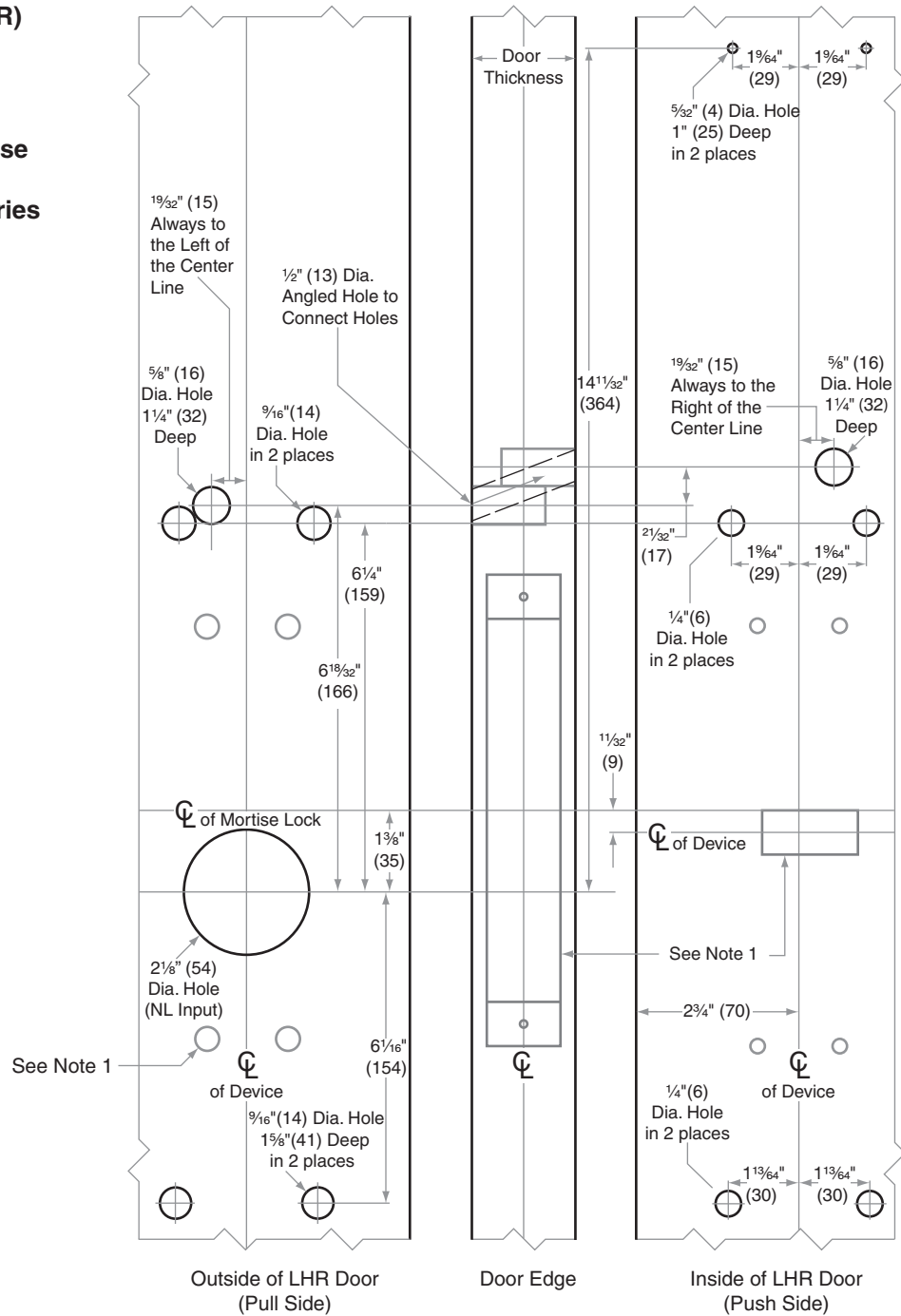
# CO-Series

Models CO-100/200/250-993M

Door Type: Wood Exit Devices: Mortise  
 Door Thickness: 1-3/4" (44 mm) – 2-3/4" (70 mm)  
 Faceplate: None  
 Backsets: Various

## Left Hand Reverse (LHR) Door Shown

**Note 1:**  
**For Mortise Lock and Mortise Exit Device Preparation**  
**See Von Duprin 98/9975 Series Templates**



Dimensions shown in parentheses ( ) are in millimeters.

Door preparation template

# CO109



# CO-Series

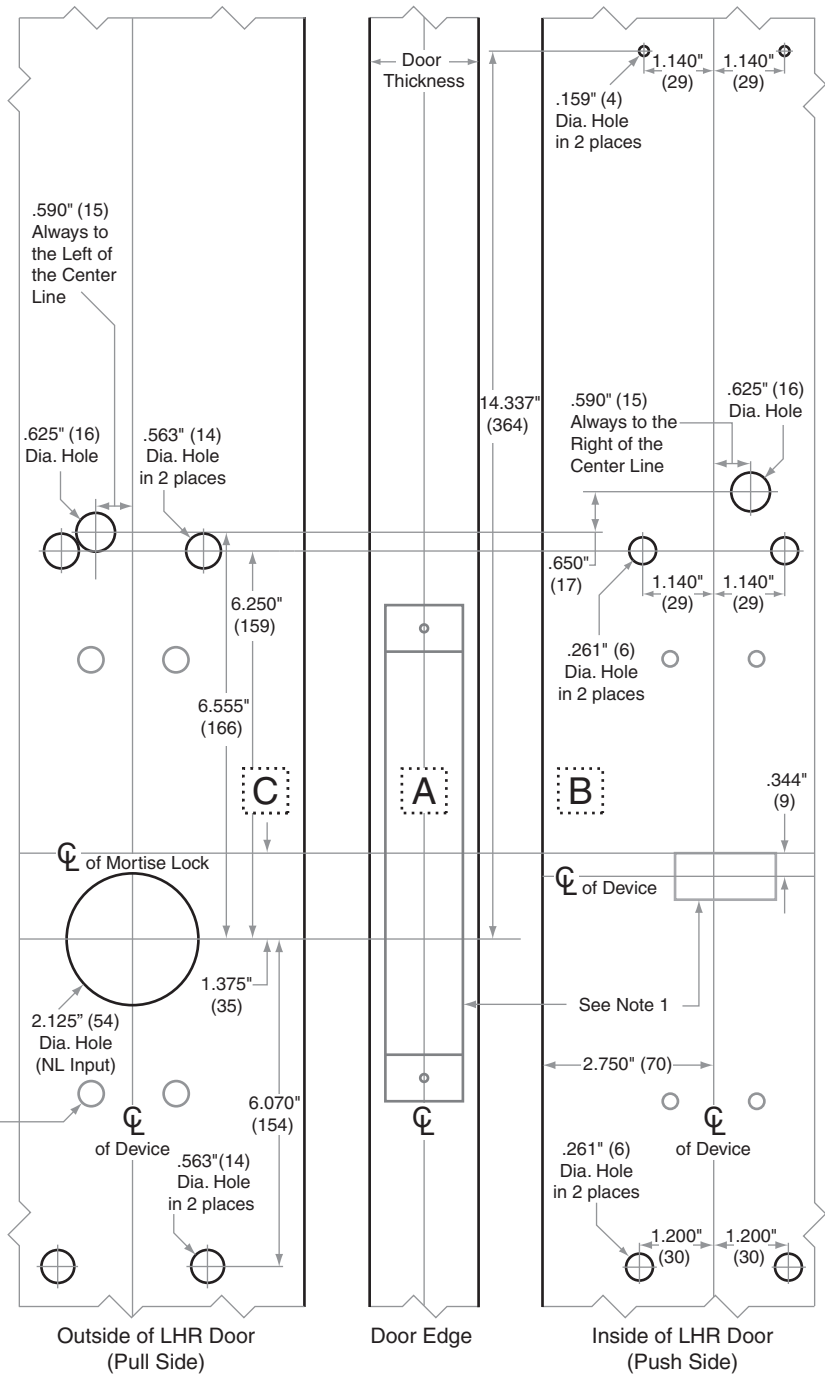
Models CO-100/200/250-993M

Door Type: Metal Exit Devices: Mortise  
 Door Thickness: 1-3/4" (44 mm) – 2-3/4" (70 mm)  
 Faceplate: None  
 Backsets: Various

**Left Hand Reverse (LHR)  
 Door Shown**

**Note 1:  
 For Mortise Lock and Mortise  
 Exit Device Preparation  
 See Von Duprin 98/9975  
 Series Templates**

98/99 Exit Device  
 Holes in 4 places  
 for Reference Only



Dimensions shown in parentheses ( ) are in millimeters.

Door preparation template

# CO110



# CO-Series

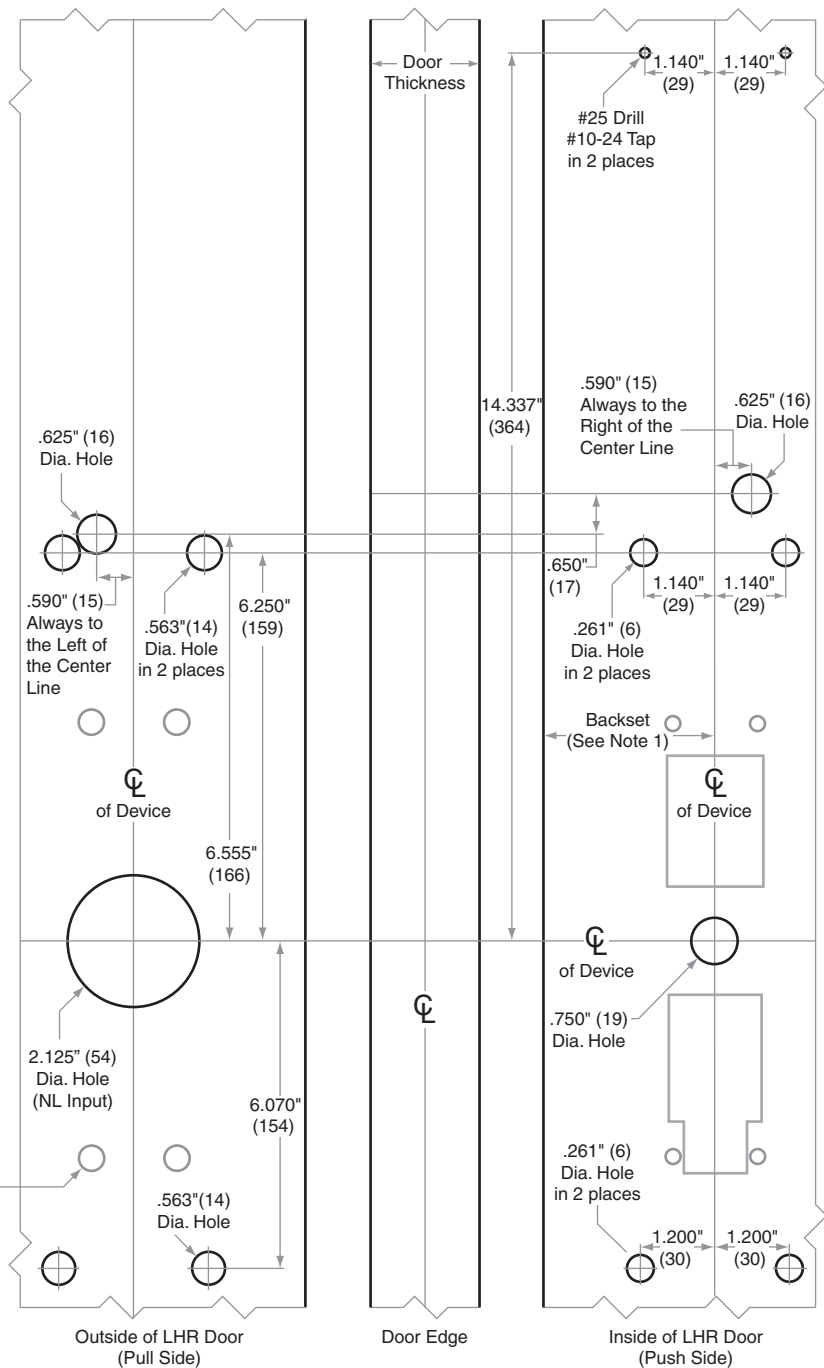
Models CO-100/200/250-993R

Door Type: Metal    Exit Devices: Concealed Vertical  
 Door Thickness: 1-3/4" (44 mm) – 2-3/4" (70 mm)  
 Faceplate: None  
 Backsets: Various

## Left Hand Reverse (LHR) Door Shown

**Note 1:**  
 For backset and exit device cutouts, see Von Duprin 9847/9947 series exit device templates.

98/99 Exit Device Holes in 4 places for Reference Only



Dimensions shown in parentheses ( ) are in millimeters.

Door preparation template

# CO112

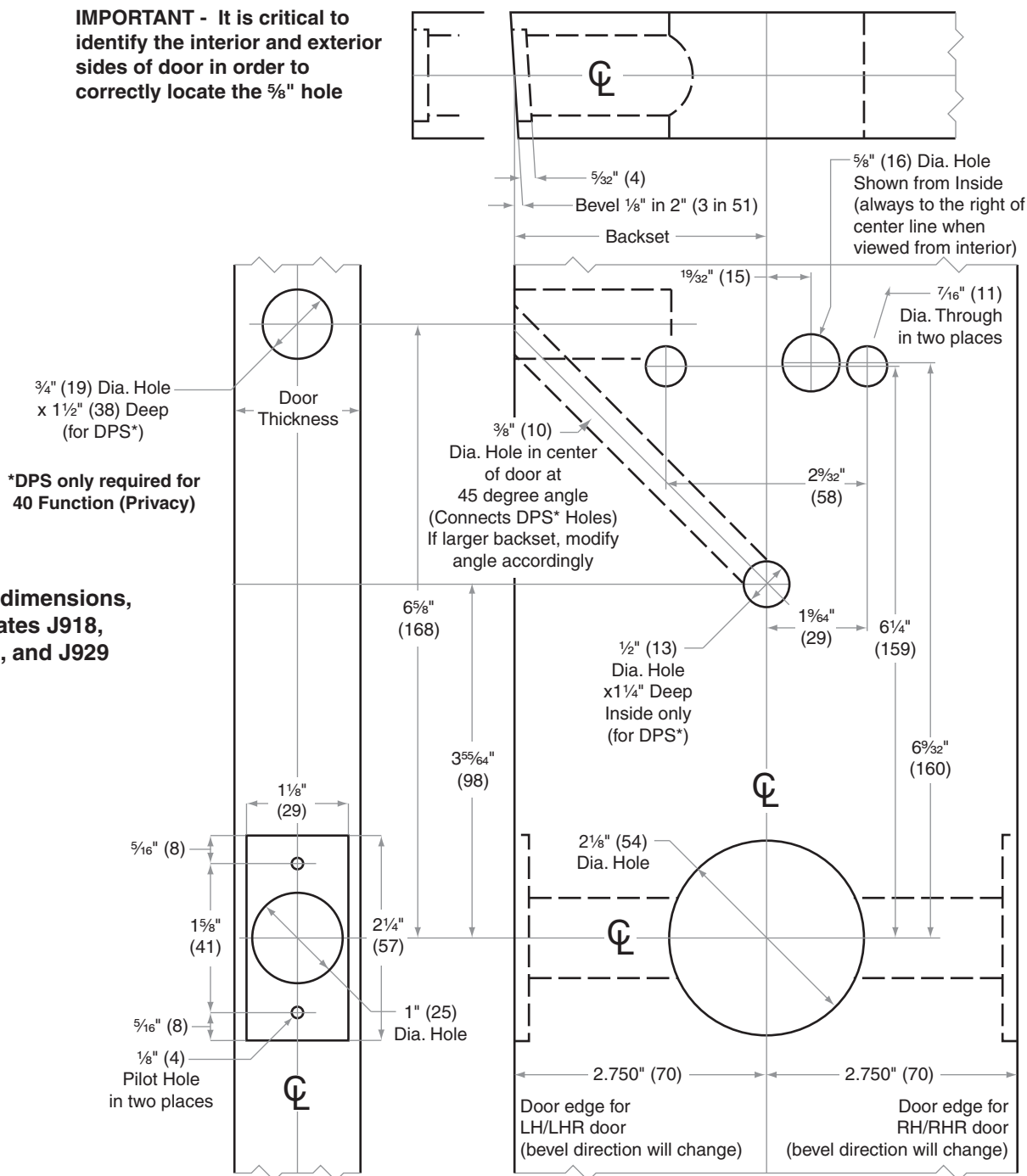


# CO-Series

Models CO-200/250-CY

- Door Type: Wood or Composite, Flat or Beveled Conforms to ANSI BHMA A156.115-W
- Door Thickness: 1-3/8" (35 mm) – 2-3/4" (70 mm)
- Faceplate: Square Corner, 1-1/16" (27 mm) or 1-1/4" (32 mm) wide
- Backsets: 2-3/4" (70 mm), 2-3/8" (60 mm), 3-3/4" (95 mm), 5-3/4" (146 mm)

**IMPORTANT - It is critical to identify the interior and exterior sides of door in order to correctly locate the 5/8" hole**



Dimensions shown in parentheses ( ) are in millimeters.

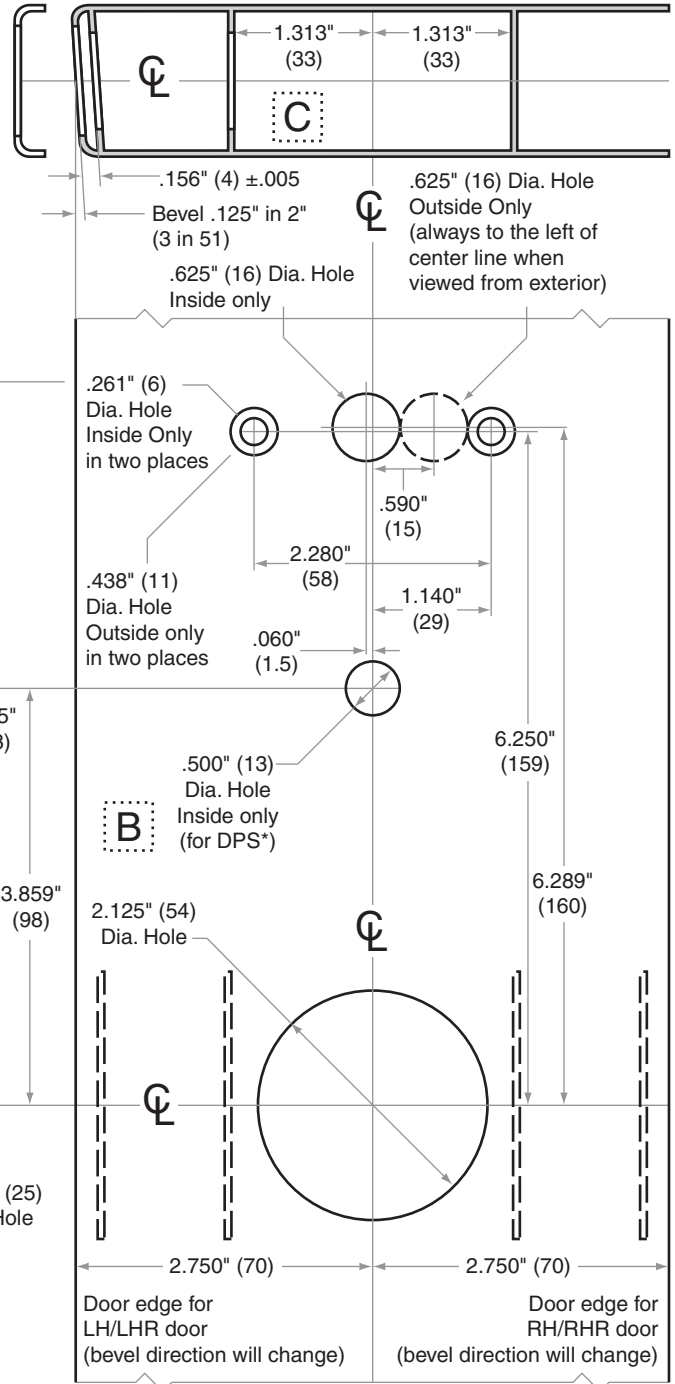
Door preparation template

# CO-Series

Models CO-200/250-CY

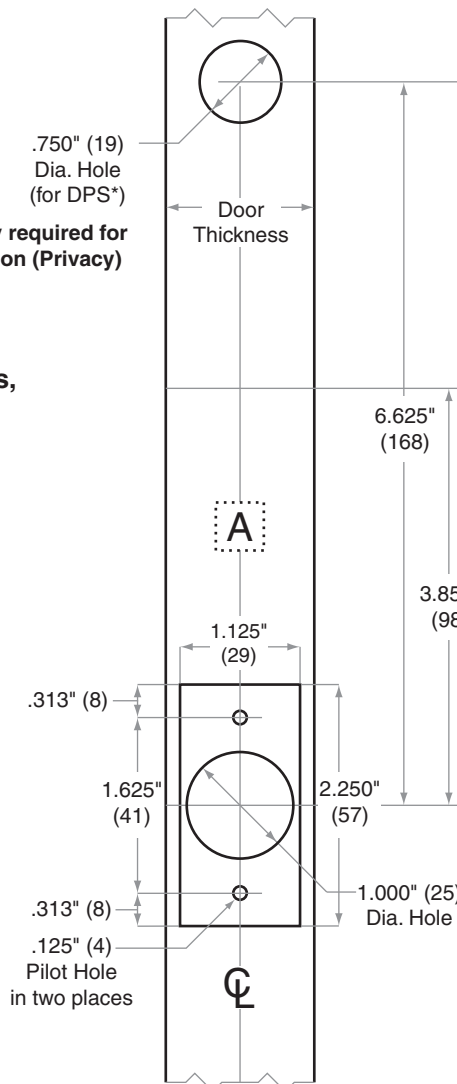
- Door Type:** Metal, Flat or Beveled Conforms to ANSI/BHMA A156.115  
**Door Thickness:** 1-3/8" (35 mm) – 2-3/4" (70 mm)  
**Faceplate:** Square Corner, 1-1/16" (27 mm) or 1-1/4" (32 mm) wide  
**Backsets:** 2-3/4" (70 mm), 2-3/8" (60 mm), 3-3/4" (95 mm), 5-3/4" (146 mm)

**IMPORTANT - It is critical to identify the interior and exterior sides of door in order to correctly locate the .625" holes**



.750" (19) Dia. Hole (for DPS\*)  
 \*DPS only required for 40 Function (Privacy)

**For Strike dimensions, see Templates J918, J919, J928, and J929**



Dimensions shown in parentheses ( ) are in millimeters.

Door preparation template

# CO202

# CO-Series

Models CO-200/250-MS

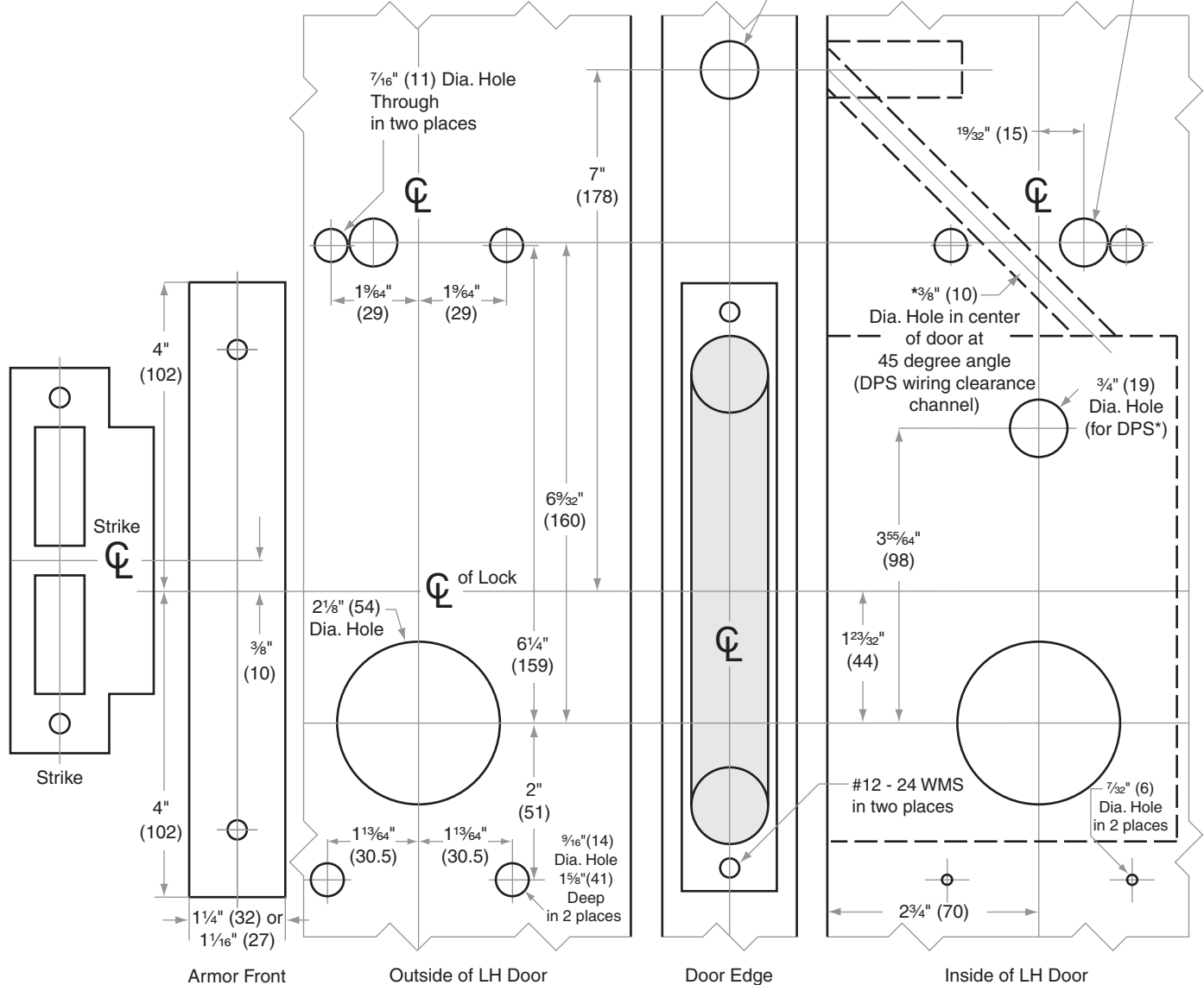
**Door Type:** Wood or Composite, Flat or Beveled      Conforms to ANSI BHMA A156.115-W  
**Door Thickness:** 1-3/8" (35 mm) – 2-3/4" (70 mm)  
**Faceplate:** Square Corner, 1-1/16" (27 mm) or 1-1/4" (32 mm) wide  
**Backsets:** 2-3/4" (70 mm)

**For Mortise Case Dimensions, see Template L1**  
**For Mortise Strike Dimensions, see Templates J918, J919, and J557**  
**Left Hand (LH) Door Shown**

**IMPORTANT - It is critical to identify the interior and exterior sides of door in order to correctly locate the 5/8" hole**

**\*DPS only required for 40 Function (Privacy)**  
 3/4" (19) Dia. Hole x 1 1/2" (38) Deep (for DPS\*)

5/8" (16) Dia. Hole Shown from inside (always to the right of center line when viewed from interior)



Dimensions shown in parentheses ( ) are in millimeters.

Door preparation template

# CO203

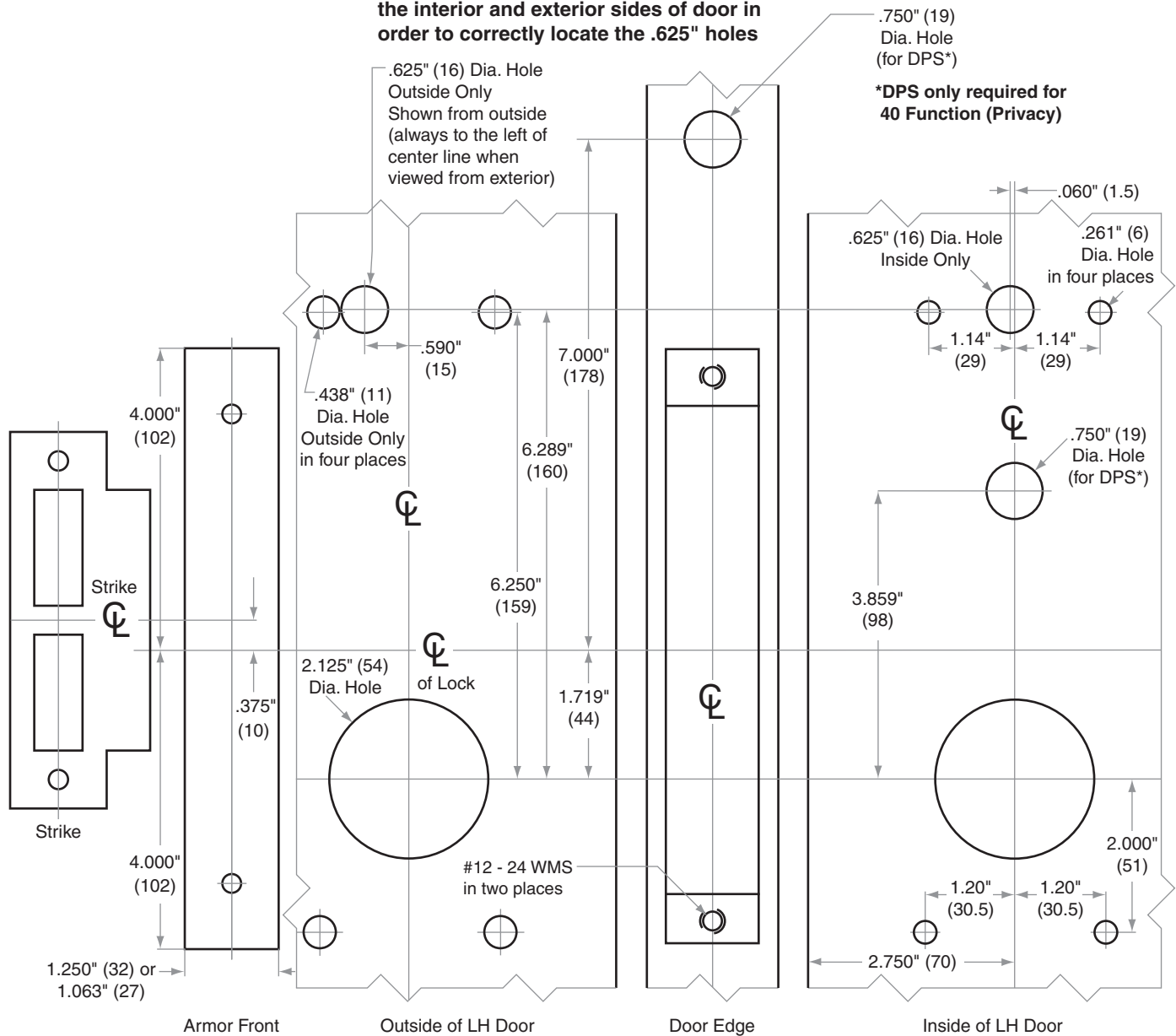
# CO-Series

Models CO-200/250-MS

- Door Type: Metal, Flat or Beveled Conforms to ANSI/BHMA A156.115
- Door Thickness: 1-3/8" (35 mm) – 2-3/4" (70 mm)
- Faceplate: Square Corner, 1-1/16" (27 mm) or 1-1/4" (32 mm) wide
- Backsets: 2-3/4" (70 mm)

**For Mortise Case Dimensions, see Template L1**  
**For Mortise Strike Dimensions, see Templates J918, J919, and J557**  
**Left Hand (LH) Door Shown**

**IMPORTANT - It is critical to identify the interior and exterior sides of door in order to correctly locate the .625" holes**



Dimensions shown in parentheses ( ) are in millimeters.

Door preparation template

# CO204





# CO-Series

Models CO-993DT, CO-220-993DT

**Door Type:** Wood, **Exit Devices:** Dummy Trim with Dummy Reader cover and CO-100/200/250 Interior Escutcheon for Exit Rim, Concealed Vertical Rod, Concealed Vertical Cable, Surface Vertical Rod or Mortise

**Door Thickness:** 1-3/4" (44 mm) – 2-3/4" (70 mm)

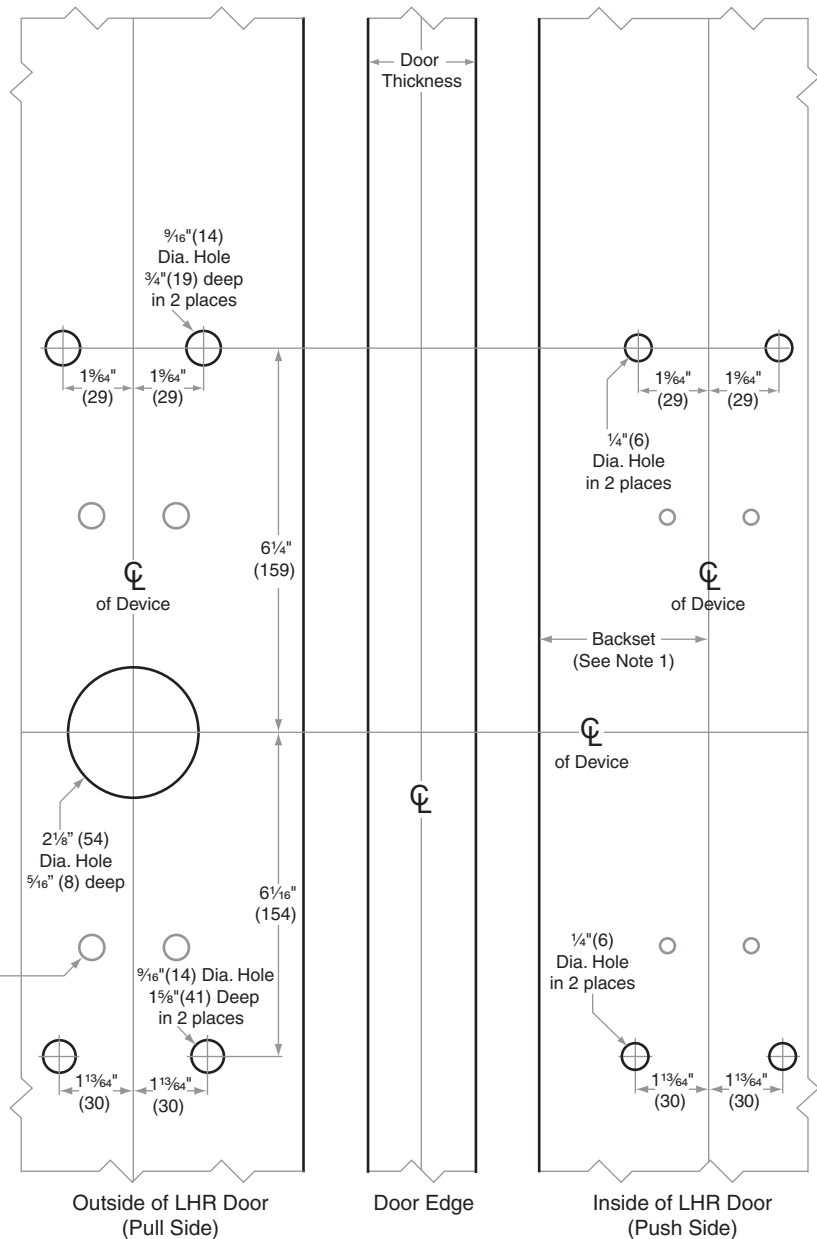
**Faceplate:** None

**Backsets:** Various

## Left Hand Reverse (LHR) Door Shown

**Note 1:**  
For Backset, See Applicable Von Duprin 98-R/99-R, 9827/9927, 22-R, or 2227 Series Exit Device Template.

98/99 Exit Device Holes in 4 places for Reference Only



Dimensions shown in parentheses ( ) are in millimeters.

Door preparation template

# CO205



# CO-Series

Models CO-993DT, CO-220-993DT

**Door Type:** Metal, **Exit Devices:** Dummy Trim with Dummy Reader cover and CO-100/200/250 Interior Escutcheon for Exit Rim, Concealed Vertical Rod, Concealed Vertical Cable, Surface Vertical Rod or Mortise

**Door Thickness:** 1-3/4" (44 mm) – 2-3/4" (70 mm)

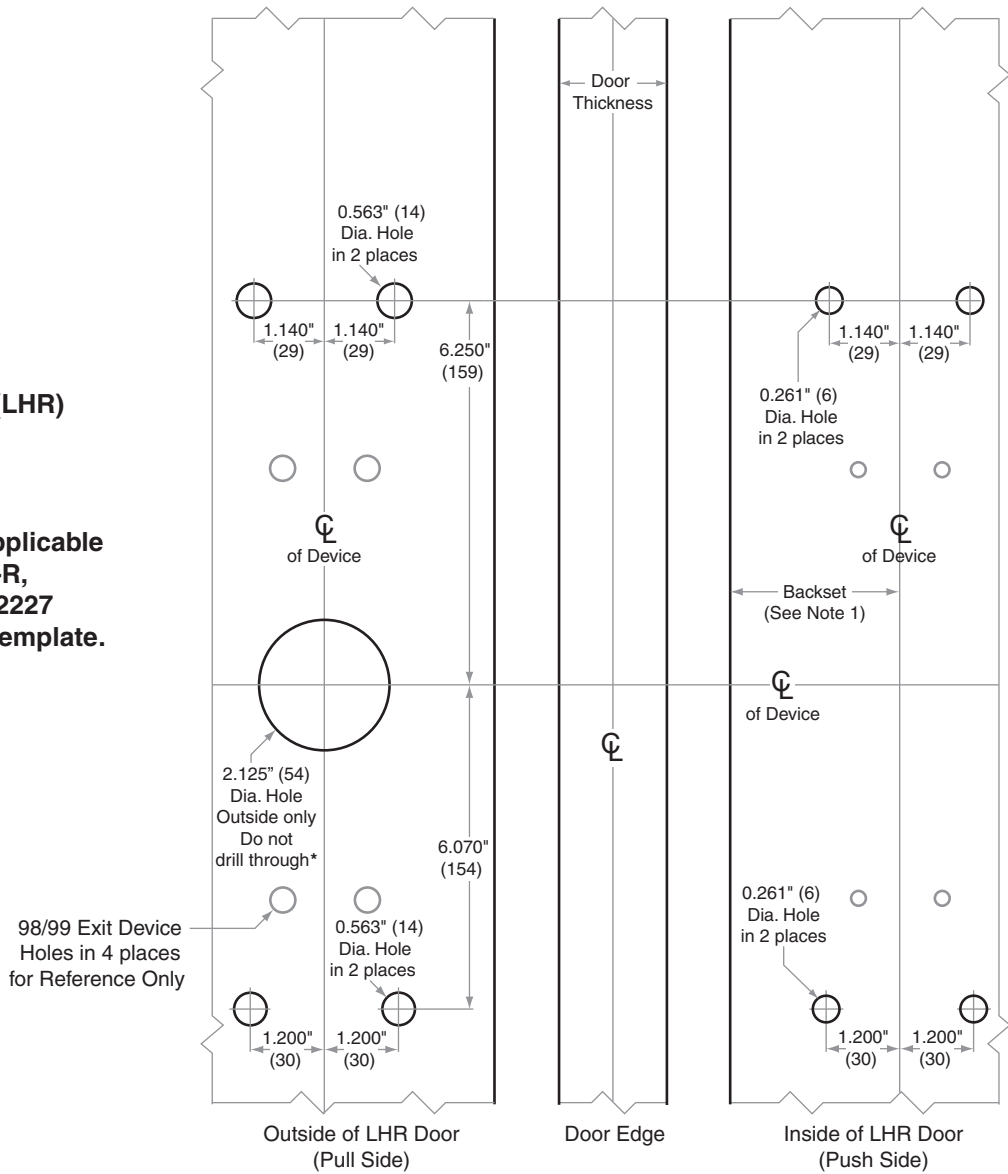
**Faceplate:** None

**Backsets:** Various

## Left Hand Reverse (LHR) Door Shown

**Note 1:**  
For Backset, See Applicable Von Duprin 98-R/99-R, 9827/9927, 22-R, or 2227 Series Exit Device Template.

\* For metal door with core, drill 0.3125" (8 mm) deep.



Dimensions shown in parentheses ( ) are in millimeters.

Door preparation template