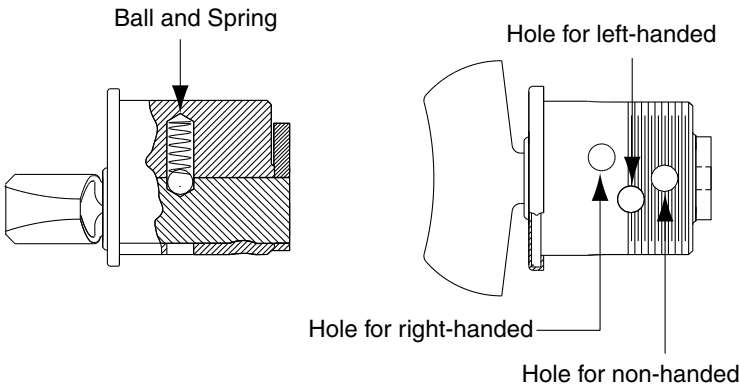


SCHLAGE®

Handing Instructions

Cylinder Turn Handing

Move ball and spring to appropriate hole.



©2001 Schlage Lock Company
Printed in U.S.A.
Rev. 06/01

