

## D-Series

### Heavy Duty Lever Lock Function D25D

#### Installation Instructions

NOTE: Accurate door preparation is essential for proper alignment and functioning of this lock. Follow template and instructions carefully to avoid installation problems.

NOTE: This lock is factory preset for 1 3/4" (44mm) thick doors. Other door sizes must be specified at order entry.

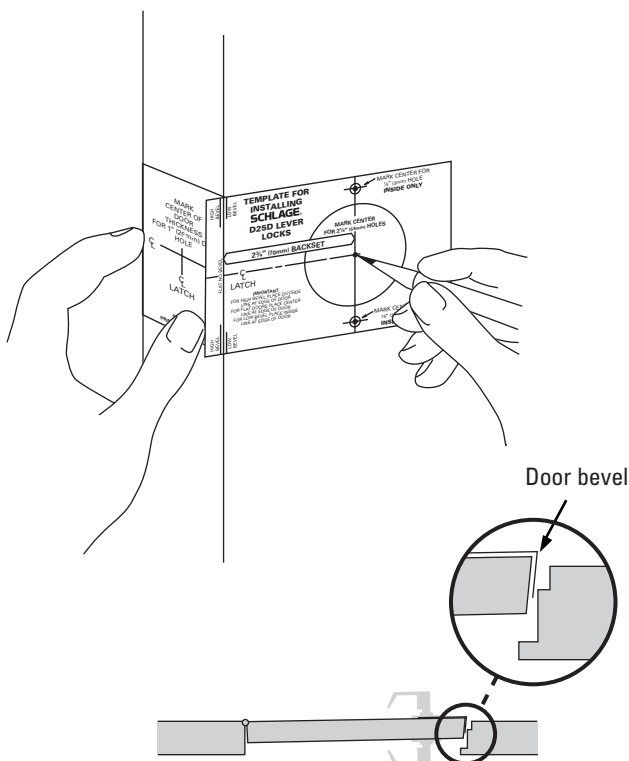
#### Door and Jamb Preparation

**1**

##### Mark door

- A. Detach stub from template.
- B. Fold template at correct marking for door bevel (high or low bevel, or flat). Position centerline of template on heightline (suggested height is 38" (97mm) from floor). Mark center for 2 1/8" (54mm) hole. Also mark for (2) 5/16" (3mm) holes for mounting screws on *inside* of door.
- C. Use stub to mark center of door thickness on heightline.

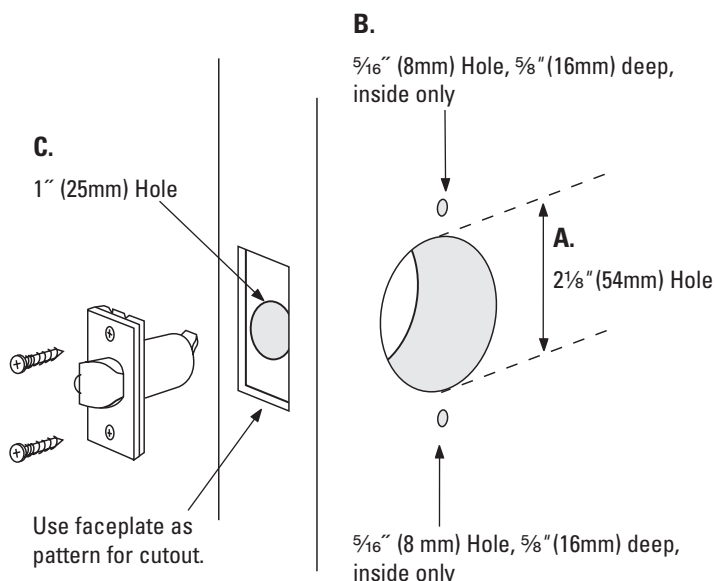
HINT: For retrofitting existing 2 1/8" (54mm) holes, fold template in half to locate position for the (2) 5/16" (8mm) holes.



**2**

##### Drill (4) holes

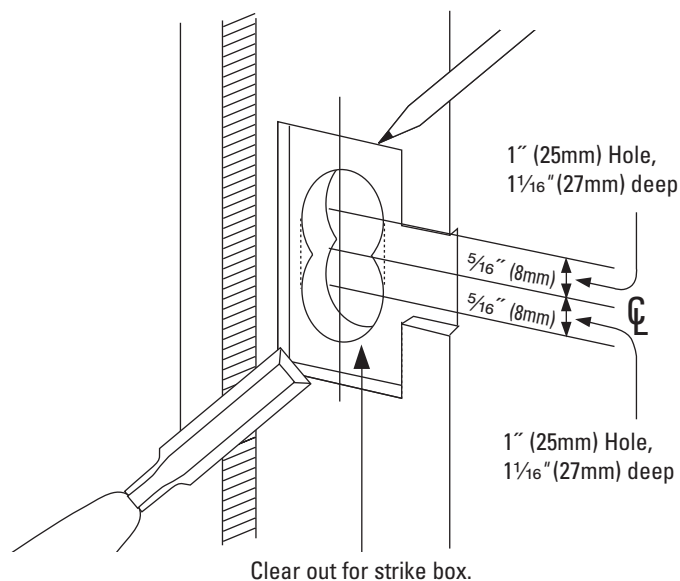
- A. Drill a 2 1/8" (54mm) hole (bore holes from both sides of door to avoid splintering wood).
- B. Drill two 5/16" (8mm) holes, 5/8" (16mm) deep on *inside* of door.
- C. Drill a 1" (25mm) hole in door edge.



**3**

##### Install strike

Mark vertical line and heightline on jamb exactly opposite center of latch hole. Drill (2) 1" (25mm) holes, 1 1/16" (27mm) deep, 5/16" (8mm) above and below heightline. Use strike plate as pattern for cutout. Clean out hole for fit of plastic dust box and install strike.

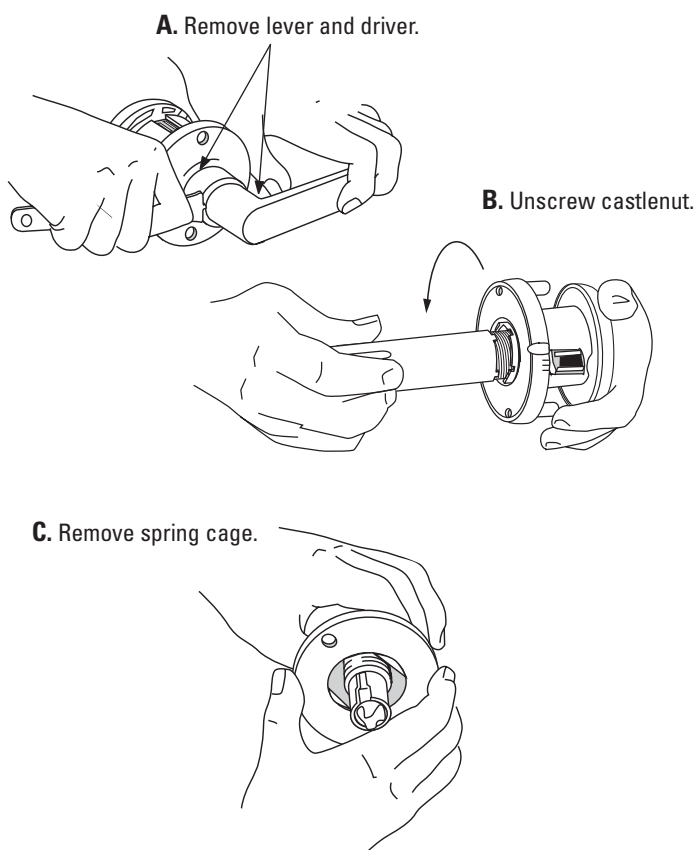


#### Lock Installation

**4**

##### Disassemble inside trim

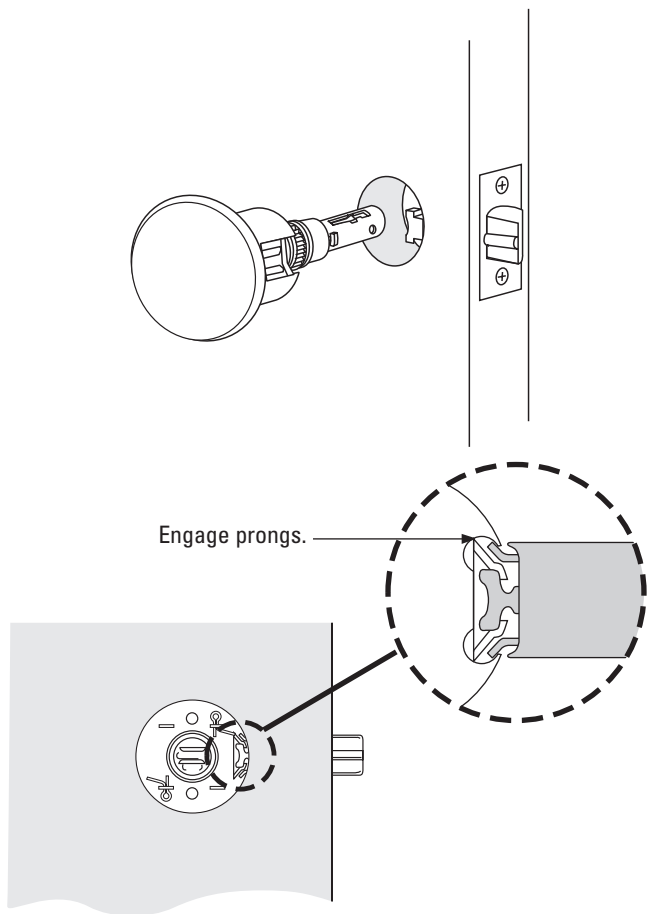
- A. Insert pointed end of spanner wrench into hole in inside lever. Push to depress catch and remove lever. Also remove driver.
- B. Unscrew and remove castlenut bushing. (Use metal tool or plastic tool provided.)
- C. Remove spring cage.



5

### Install outside lock unit

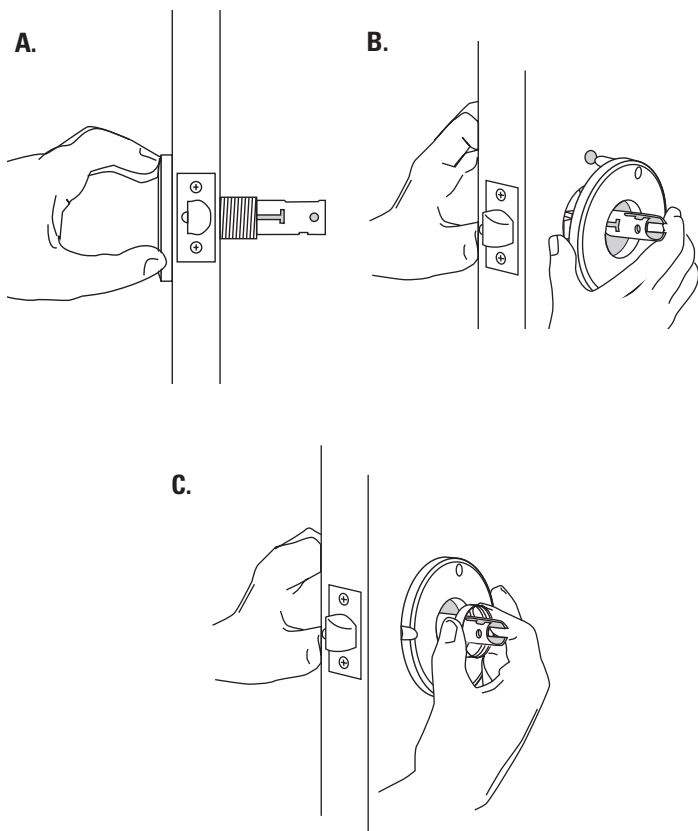
Place outside lock unit into position. Make sure that latch prongs engage chassis housing, and latch retractor engages latch bar.



6

### Inside lock assembly

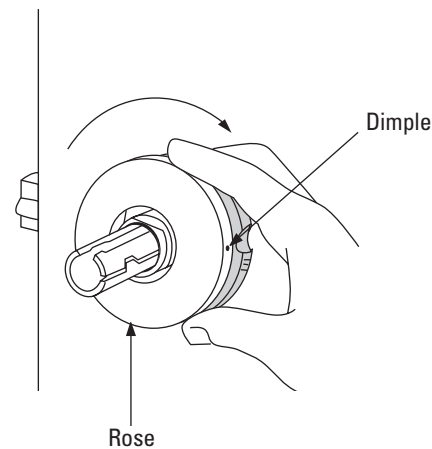
- A. Hold outside of lock in place.
- B. Put spring cage into position on chassis.
- C. Place castlenut bushing on threads of chassis. Hold outside plate in position while threading castlenut bushing onto chassis as far as it will go. (A ratcheting sound will be heard.) Fully tighten castlenut bushing against chassis with installation tool.



7

### Install inside rose

Align dimples on rose with grooves in spring cage. Place rose against door and rotate clockwise until dimples snap into slots next to the grooves.



8

### Install lever, insert, and driver

- A. Assemble plastic insert into lever for old style driver. (**CAUTION:** Insert *must* be used for lock to function properly.) Engage slot in driver with plastic insert. New style driver will not have plastic insert.
  - B. Slide lever and driver onto spindle. Push lever completely into place. (Pull on lever to make sure that catch is fully engaged.)
- Test operation of lock to make sure that chassis adjustment and lock installation is correct.

