



39475

# Dress Cover

Installation Instructions  
40 and 70 Series Magnetic Lock

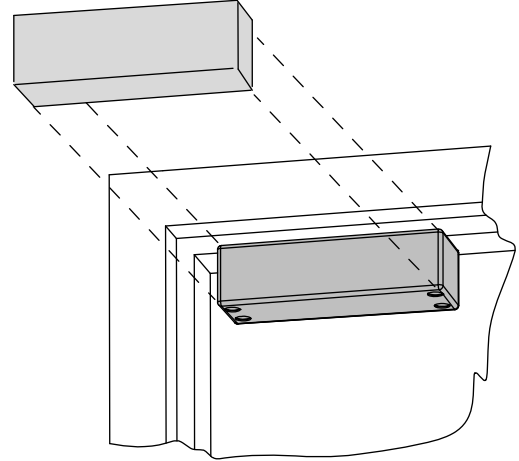


## General Installation Instructions

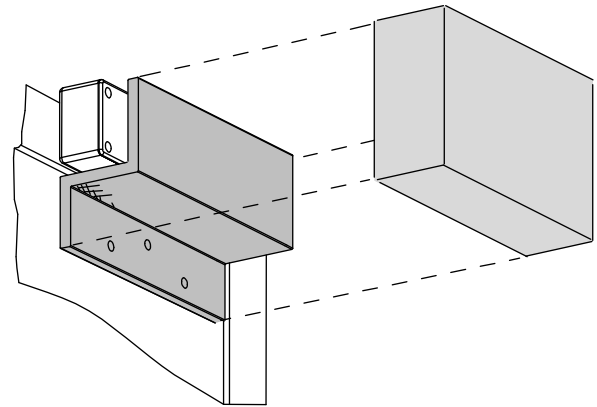
**1** Install magnetic lock and adjust.  
Use installation instructions included with the lock.

**2** Remove sticky tape backing from inside dress covers and apply to lock.  
Use diagrams on the right.

### 40/70 Application



### 40/70 TJ Application



### 72 Application

