



47931169

# L9000/LV9000 Lock with Indicator



L9000/LV9000 Series Lock with Indicator Sectional Trim

Installation Instructions

Indicator trim is available for either the inside, outside, or both sides on allowable functions.

Non-indicator trim is furnished on the opposite side of the door.

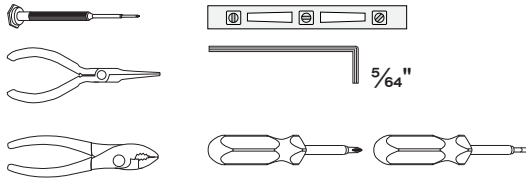
▲ **Confirm desired placement (inside, outside, or both) before installation.**

▲ **The L9000 lock with indicator is not intended for exterior door applications.**

*Included:*



*Not included:*



**DO NOT USE POWER TOOLS  
for lock and indicator installation!**

**Para Español, vaya a la página X.  
Pour le Français, voir la page X.**

## Table of Contents

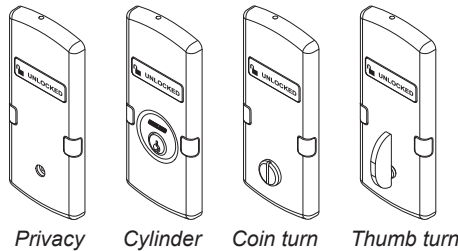
<b>Start installation</b>	<b>2</b>
<b>Trim installation</b>	
Outside cylinder	3
Outside cylinder with indicator	3
Inside thumb turn	4
Inside thumb turn with indicator	4
Outside privacy	5
Outside privacy with indicator	6
Outside coin turn	6
Outside coin turn with indicator	6
<b>Finish installation</b>	<b>7</b>

## Customer Service

1-877-671-7011

[www.allegion.com/us](http://www.allegion.com/us)

**Indicator options:**

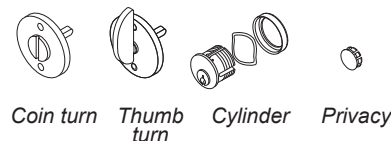


OR

OR

*Outside non-indicator cylinder with  
inside indicator cylinder trim shown*

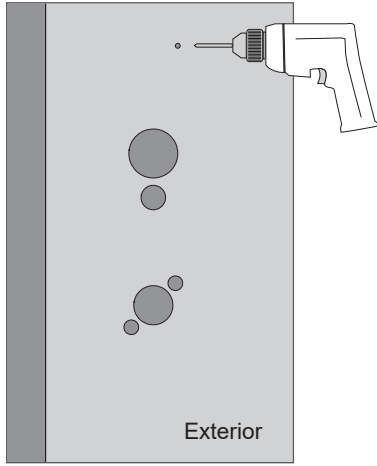
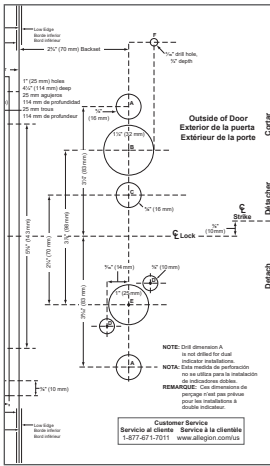
**Non-indicator options:**



## Start Installation

### 1 Double-check the door preparation.

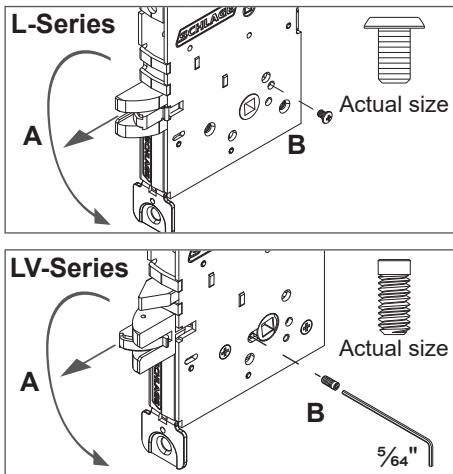
Check the door preparation dimensions with the template included in the package. Complete drilling, if necessary.



### 2 IMPORTANT! Check lock handing before installation.

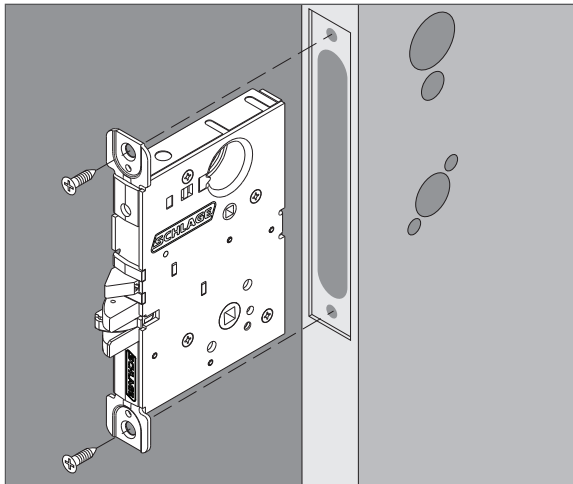
#### To change handing:

- Pull out the latch and rotate 180°.
- Remove the lock handing screw from one side of the chassis and install it on the opposite side. The lock handing screw should always be on the interior side of the door.



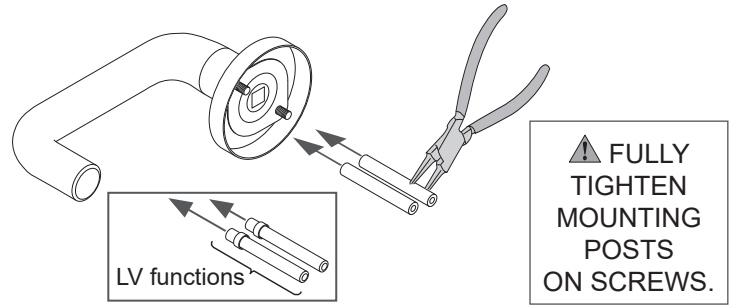
### 3 Install lock chassis.

**⚠ Fully tighten chassis mounting screws.**



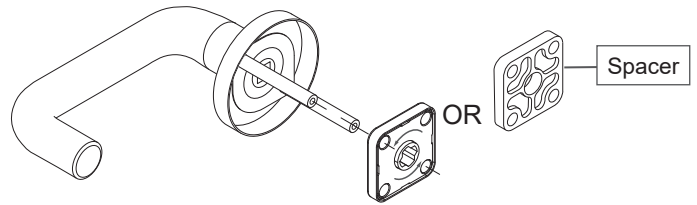
### 4 Prepare outside lever assembly for installation.

#### 4a Install outside mounting posts.

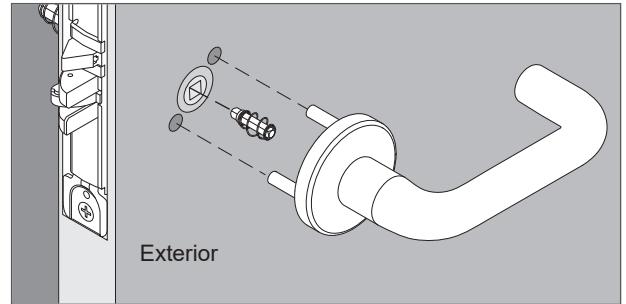


#### 4b Install outside spring cage or spacer.

Use outside spacer with L9480, L9485, L9460 x XL11-635, L9460 x XL11-886, L9464 x XL11-886.

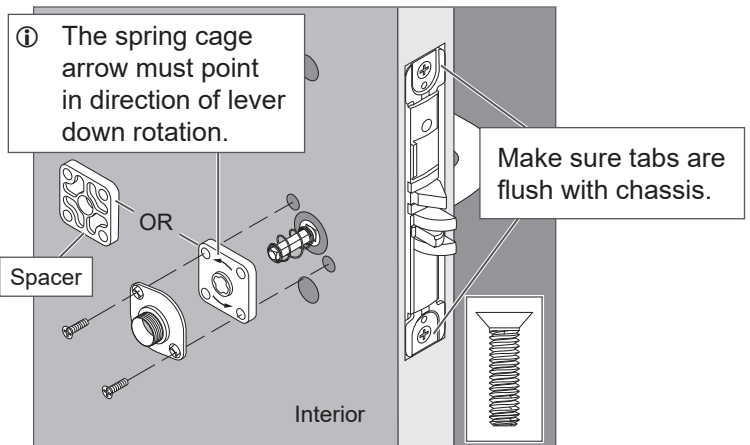


### 5 Install outside spindle, spring, and lever assembly.



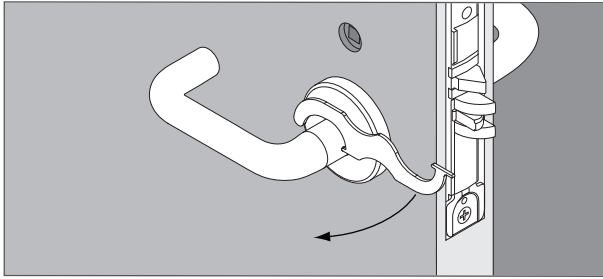
### 6 Install inside spring cage and mounting plate.

Use inside spacer with L9460 x XL11-635.



## 7 Install inside lever.

Tighten bushing with spanner wrench.

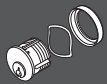


### Install Trims

Follow instructions to install both the inside and outside trims.

Trim	Page
Outside cylinder	3
Outside cylinder with indicator	3
Inside thumb turn	4
Inside thumb turn with indicator	4
Outside privacy	5
Outside privacy with indicator	6
Outside coin turn	6
Outside coin turn with indicator	6

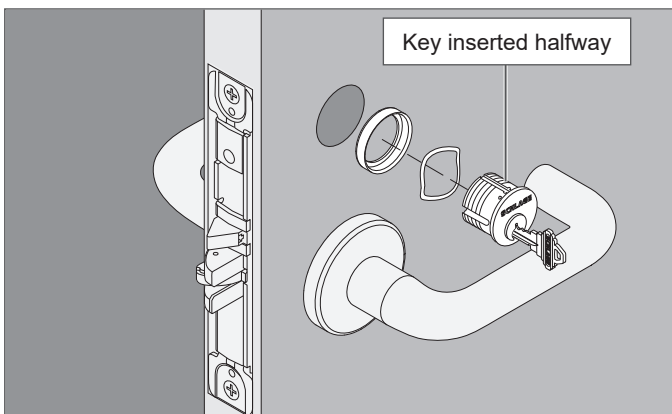
Once both trims are installed, go to page 7 for final installation steps.



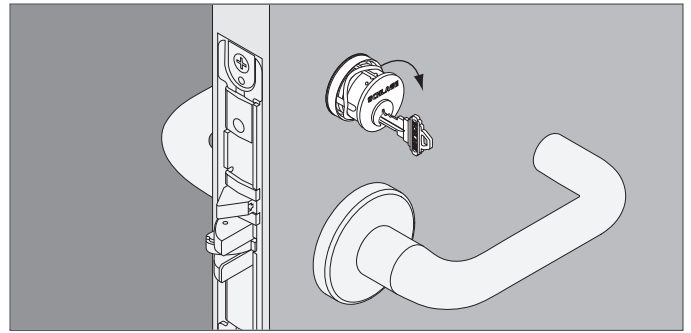
### Cylinder

#### 1 Install non-indicator cylinder.

- 1a Insert key halfway into the cylinder, and install the cylinder with ring and cylinder spring as shown.



#### 1b Rotate cylinder clockwise.



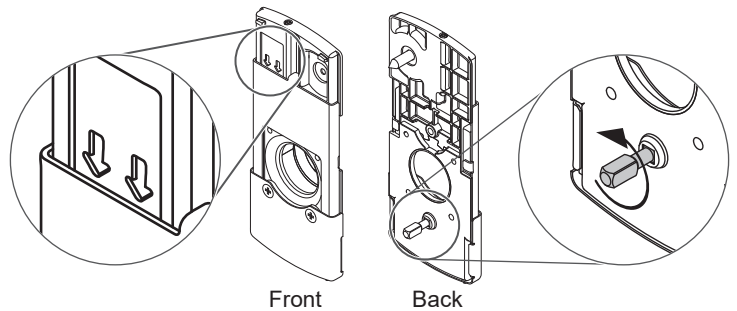
- 1c Proceed with the appropriate steps to install trim on opposite side. If both trims are installed, proceed to page 7 to complete installation.



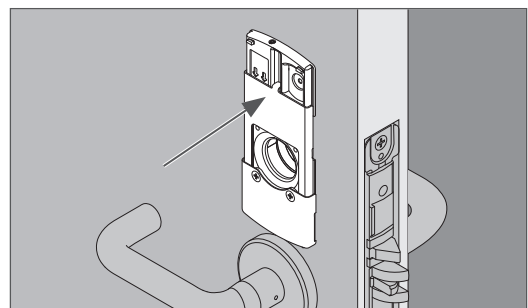
### Cylinder Indicator

#### 1 Install indicator module.

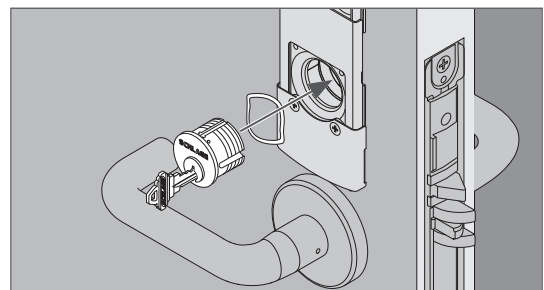
- 1a Rotate the indicator module spindle until the sign moves down and uncovers the arrow markings.



- 1b Place the indicator module against the door.



- 1c Insert key halfway into the cylinder, and install the cylinder with cylinder spring as shown.

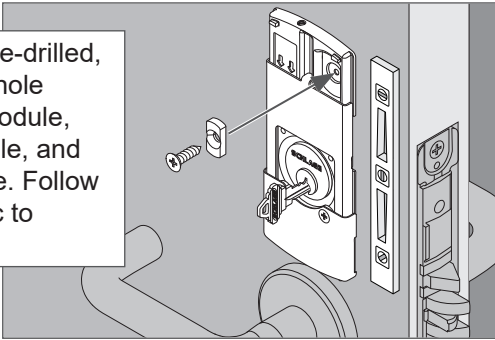


## 2 Install mounting screw with flange.

Before fully tightening the screw, use a level to align the module assembly so that it is parallel with the door edge.

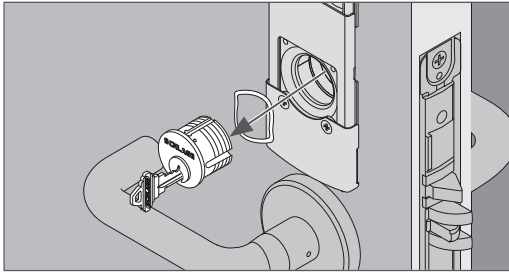
**⚠ DO NOT drill the door hole through the module opening!**

① Note: If not pre-drilled, mark the top hole of indicator module, remove module, and drill a  $\frac{5}{32}$ " hole. Follow steps 1a to 1c to reinstall..

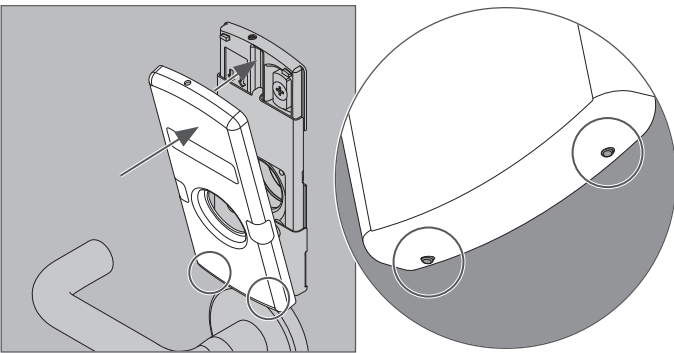


## 3 Install sectional trim.

### 3a Remove the key cylinder.

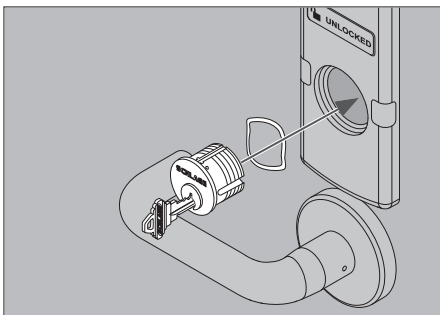


3b Mount the sectional trim. Line up pins on bottom of indicator module with holes on sectional trim, then pivot trim until flush with the door.



3c Insert key halfway into the cylinder, and install the cylinder with cylinder spring as shown.

① **NOTE: cylinder must be flush with sectional trim.**



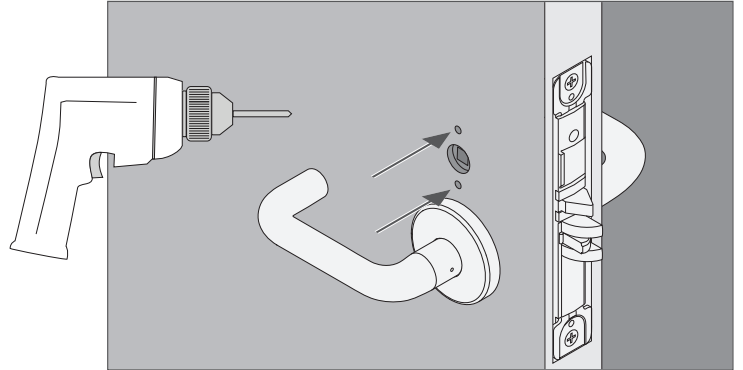
3d Proceed with the appropriate steps to install trim on opposite side. If both trims are installed, proceed to page 7 to complete installation.



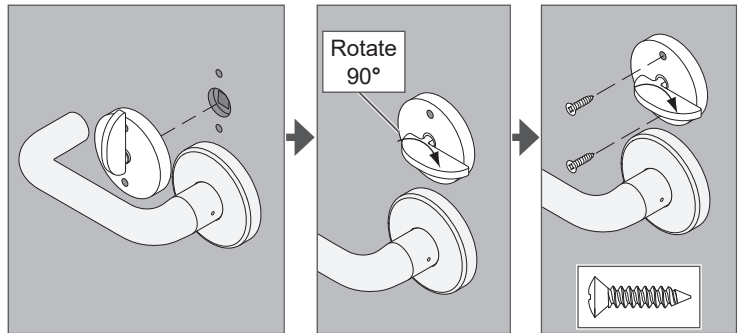
## Thumb turn

### 1 Install non-indicator thumb turn.

1a If not pre-drilled, use the provided door template to mark and drill two (2) pilot holes.



### 1b Install the thumb turn.



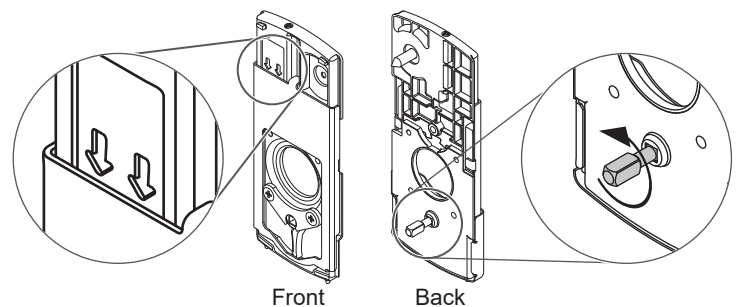
1c Proceed with the appropriate steps to install trim on opposite side. If both trims are installed, proceed to page 7 to complete installation.



## Thumb turn Indicator

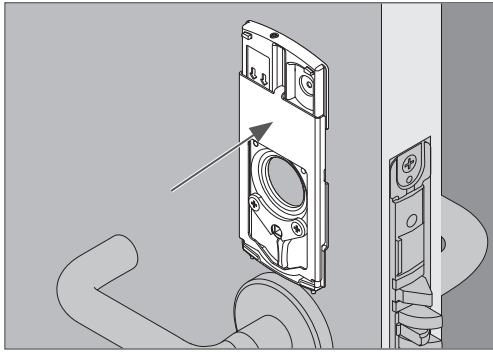
### 1 Install indicator module.

1a Rotate the indicator module spindle until the sign moves down and uncovers the arrow markings.

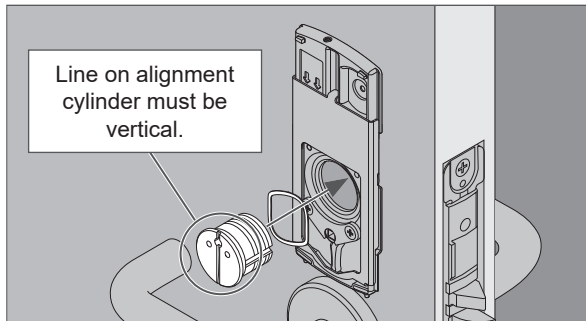




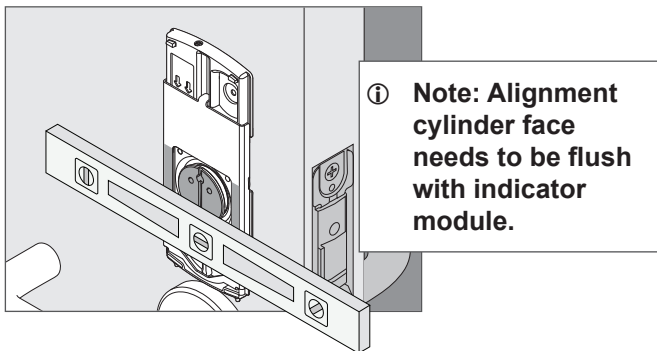
1b Place the indicator module against the door.



1c Install the alignment cylinder with cylinder spring as shown. Use any slotted screwdriver, lever wrench, or coin to rotate the cylinder.



Use a level or the armor plate to ensure the cylinder face is flush to the shaded areas as shown.



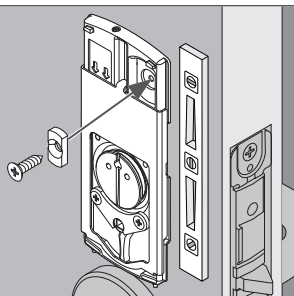
ⓘ **Note: Slot in the alignment cylinder must be vertical after installing the alignment cylinder.**

**2** Install mounting screw with flange.

Before fully tightening the screw, use a level to align the module assembly so that it is parallel with the door edge.

**⚠ DO NOT drill the door hole through the module opening!**

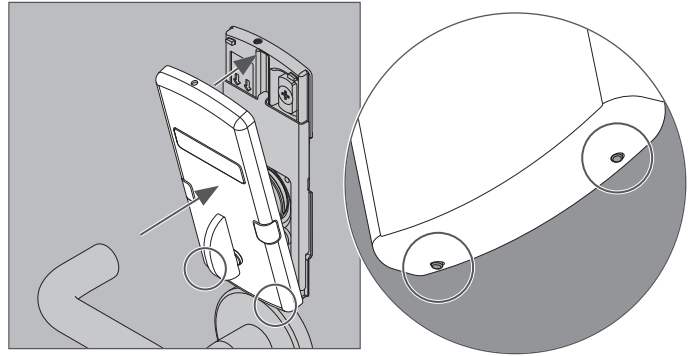
ⓘ **Note: If not pre-drilled, mark the top hole of indicator module, remove module, and drill a  $\frac{5}{32}$ " hole. Follow steps 1a to 1c to reinstall.**



**3** Install sectional trim.

3a Mount the sectional trim. Line up pins on bottom of indicator module with holes on sectional trim, then pivot trim until flush with the door.

ⓘ **Install the trim with the thumbturn vertical.**



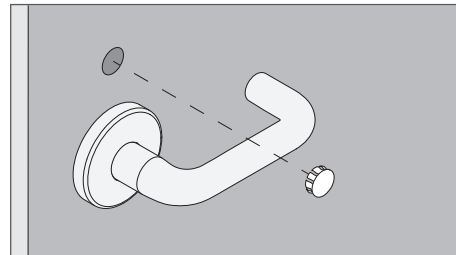
3b Proceed with the appropriate steps to install trim on opposite side. If both trims are installed, proceed to page 7 to complete installation.



**Privacy**

**1** Install non-indicator trim.

1a Install as shown.



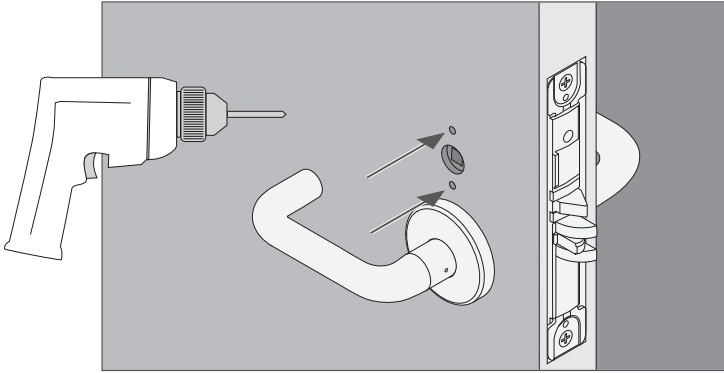
1b Proceed with the appropriate steps to install trim on opposite side. If both trims are installed, proceed to page 7 to complete installation.



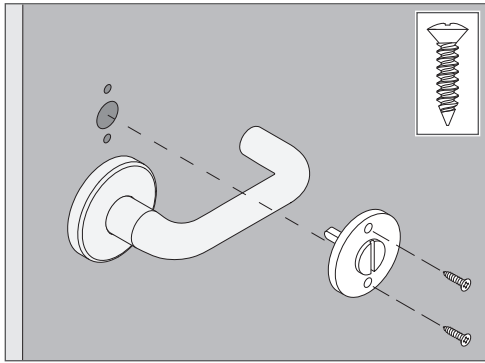
## Coin turn

**1** Install non-indicator coin turn.

**1a** If not pre-drilled, use provided door template to mark and drill two (2) pilot holes.



**1b** Install the coin turn.



**1c** Proceed with the appropriate steps to install trim on opposite side. If both trims are installed, proceed to page 7 to complete installation.

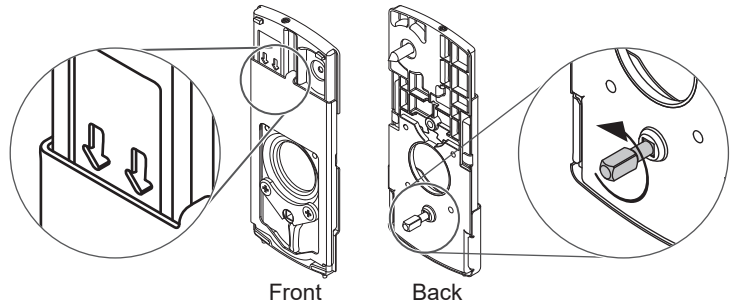


## Coin turn Indicator

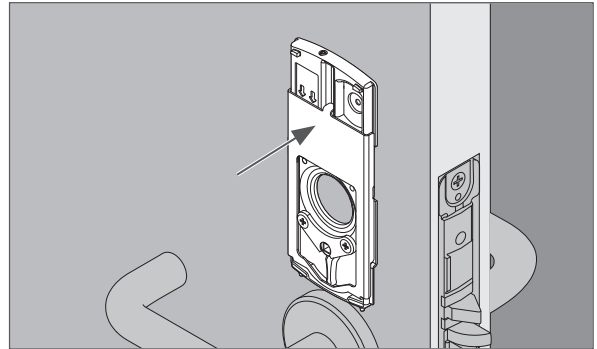
## Privacy Indicator

**1** Install indicator module.

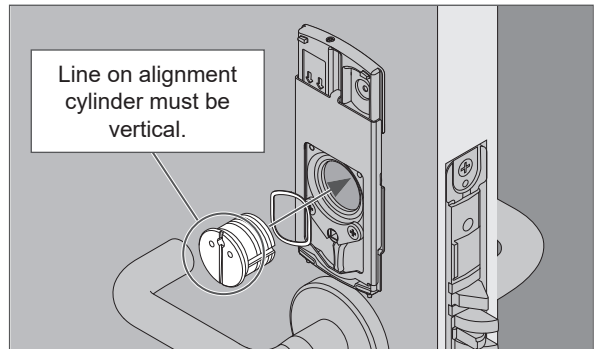
**1a** Rotate the indicator module spindle until the sign moves down and uncovers the arrow markings.



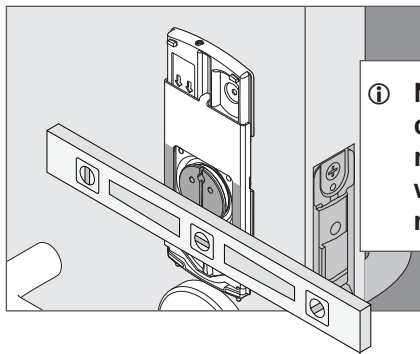
**1b** Place the indicator module against the door.



**1c** Install the alignment cylinder with cylinder spring as shown. Use any slotted screwdriver, lever wrench, or coin to rotate the cylinder.



Use a level or the armor plate to ensure the cylinder face is flush to the shaded areas as shown.



**Note: Alignment cylinder face needs to be flush with indicator module.**

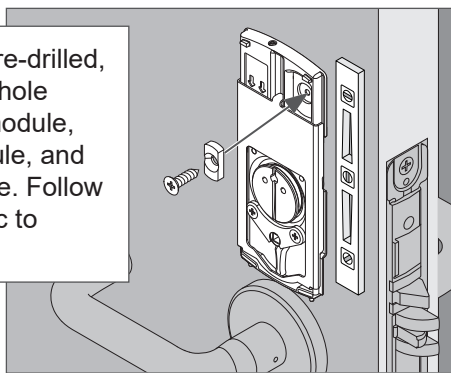
**Note: Slot in the alignment cylinder must be vertical after installing the alignment cylinder**

## 2 Install mounting screw with flange.

Before fully tightening the screw, use a level to align the module assembly so that it is parallel with the door edge.

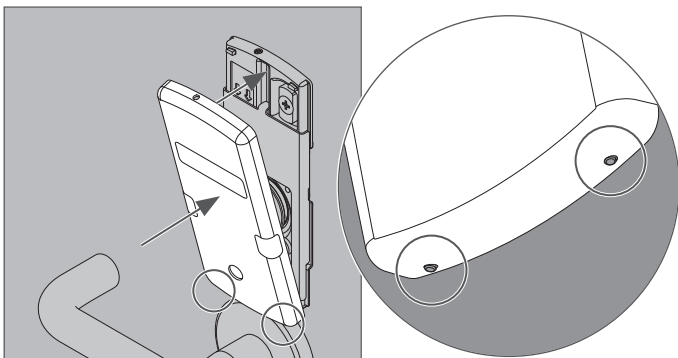
**⚠ DO NOT drill the door hole through the module opening!**

**Note: If not pre-drilled, mark the top hole of indicator module, remove module, and drill a  $\frac{5}{32}$ " hole. Follow steps 1a to 1c to reinstall.**



## 3 Install sectional trim.

**3a** Mount the sectional trim. Line up pins on bottom of indicator module with holes on sectional trim, then pivot trim until flush with the door.



**3b** Proceed with the appropriate steps to install trim on opposite side. If both trims are installed, proceed to page 7 to complete installation.

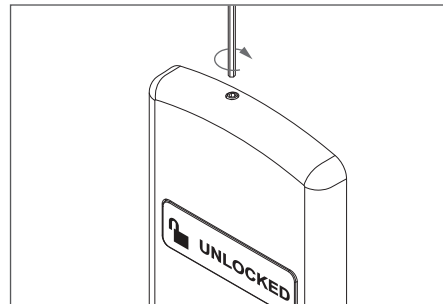
## Finish Installation

Make sure both the inside and outside trims are fully installed before the following steps.

### 1 Secure sectional indicator trim.

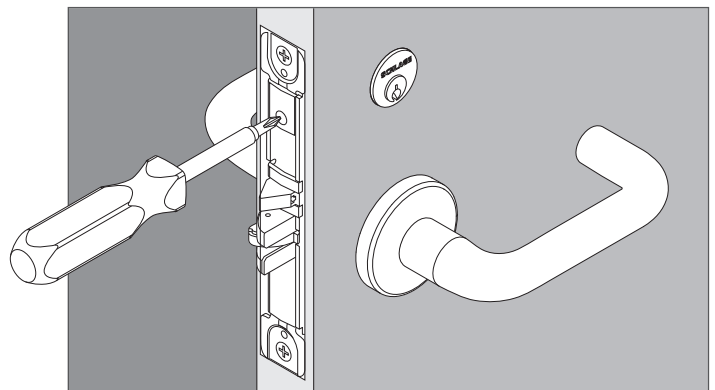
Turn the pre-installed screw clockwise using a  $\frac{1}{16}$ " Allen key until the sectional trim is held firmly.

If both the inside and outside trims are indicator trims, remember to tighten the screw on both trims.

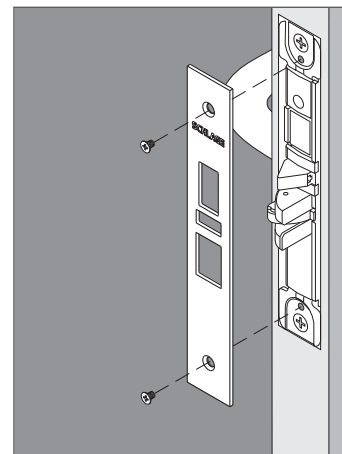


### 2 Tighten cylinder retaining screw with screwdriver.

**Only for trims with cylinder.**



### 3 Install armor front.







47931169

# L9000/LV9000 Lock with Indicator



L9000/LV9000 Series Lock with Indicator Sectional Trim

Installation Instructions

Indicator trim is available for either the inside, outside, or both sides on allowable functions.

Non-indicator trim is furnished on the opposite side of the door.

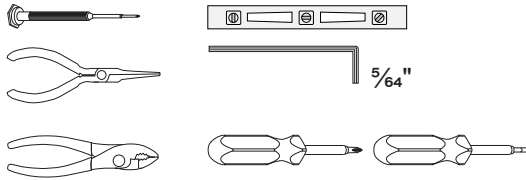
▲ **Confirm desired placement (inside, outside, or both) before installation.**

▲ **The L9000 lock with indicator is not intended for exterior door applications.**

*Included:*



*Not included:*



**DO NOT USE POWER TOOLS  
for lock and indicator installation!**

**Para Español, vaya a la página X.  
Pour le Français, voir la page X.**

## Table of Contents

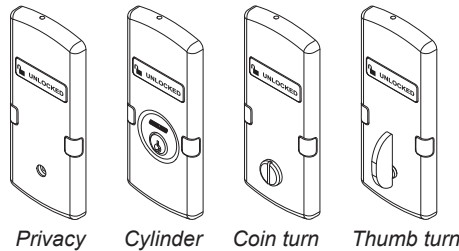
<b>Start installation</b>	<b>10</b>
<b>Trim installation</b>	
Outside cylinder	11
Outside cylinder with indicator	11
Inside thumb turn	12
Inside thumb turn with indicator	12
Outside privacy	13
Outside privacy with indicator	14
Outside coin turn	14
Outside coin turn with indicator	14
<b>Finish installation</b>	<b>15</b>

## Customer Service

1-877-671-7011

[www.allegion.com/us](http://www.allegion.com/us)

**Indicator options:**

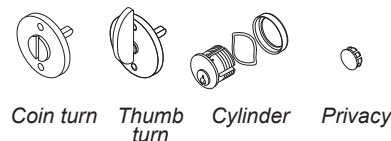


OR

OR

*Outside non-indicator cylinder with  
inside indicator cylinder trim shown*

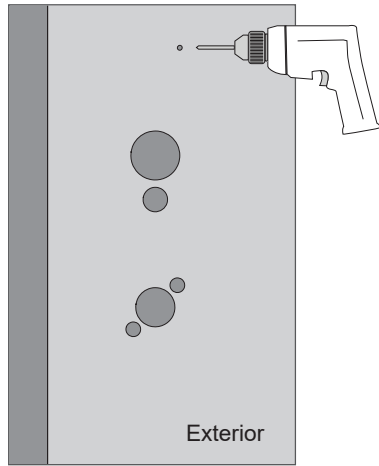
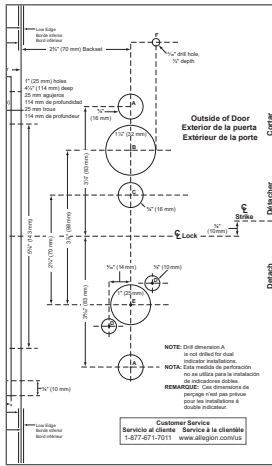
**Non-indicator options:**



## Start Installation

### 1 Double-check the door preparation.

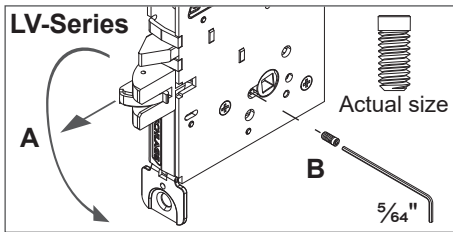
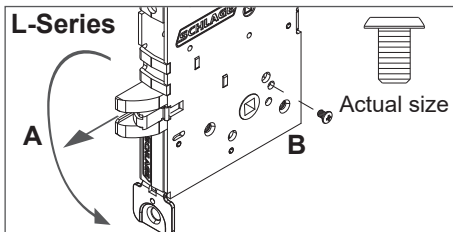
Check the door preparation dimensions with the template included in the package. Complete drilling, if necessary.



### 2 IMPORTANT! Check lock handing before installation.

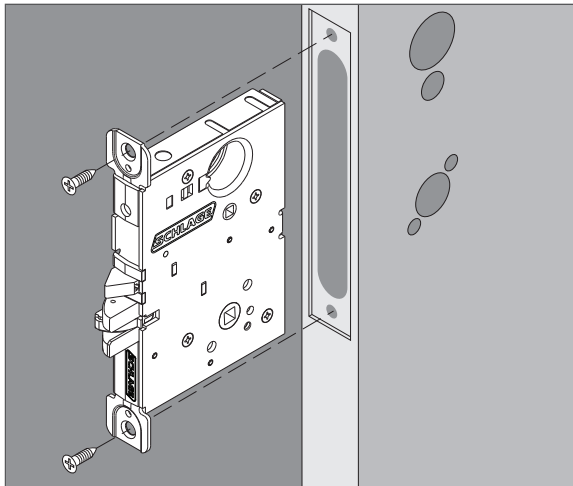
#### To change handing:

- Pull out the latch and rotate 180°.
- Remove the lock handing screw from one side of the chassis and install it on the opposite side. The lock handing screw should always be on the interior side of the door.



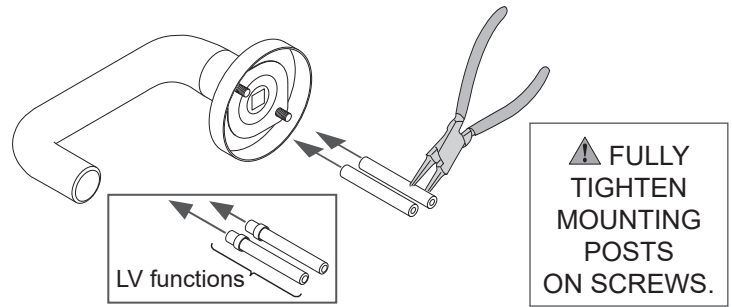
### 3 Install lock chassis.

**⚠ Fully tighten chassis mounting screws.**



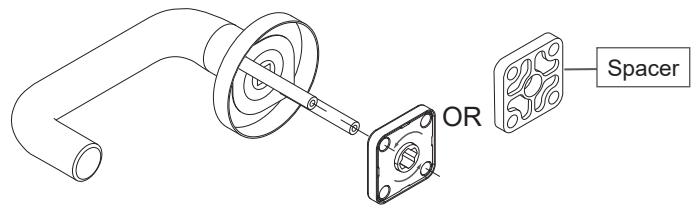
### 4 Prepare outside lever assembly for installation.

#### 4a Install outside mounting posts.

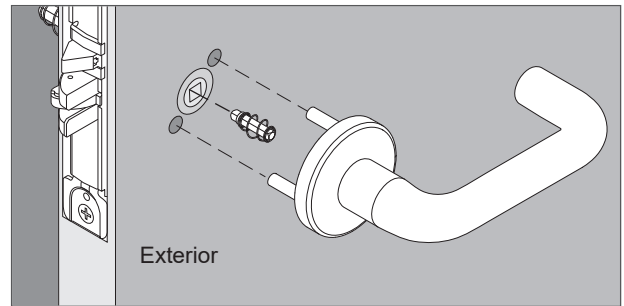


#### 4b Install outside spring cage or spacer.

Use outside spacer with L9480, L9485, L9460 x XL11-635, L9460 x XL11-886, L9464 x XL11-886.

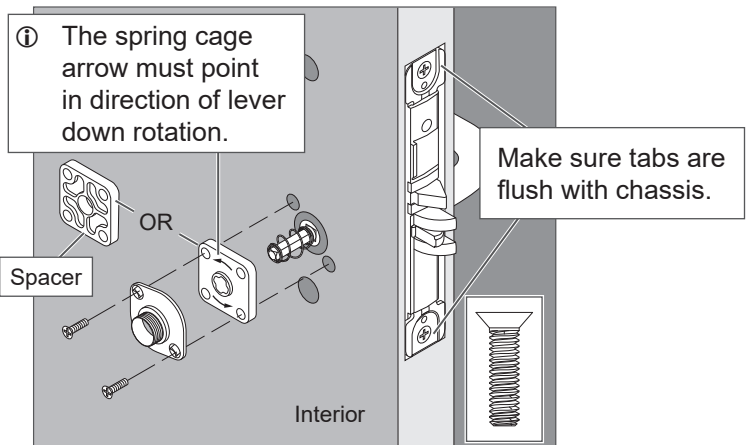


### 5 Install outside spindle, spring, and lever assembly.



### 6 Install inside spring cage and mounting plate.

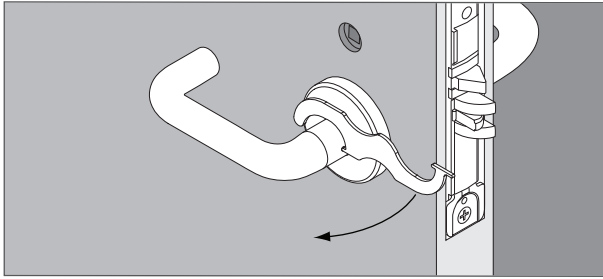
Use inside spacer with L9460 x XL11-635.





## 7 Install inside lever.

Tighten bushing with spanner wrench.

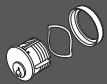


## Install Trims

Follow instructions to install both the inside and outside trims.

Trim	Page
Outside cylinder	11
Outside cylinder with indicator	11
Inside thumb turn	12
Inside thumb turn with indicator	12
Outside privacy	13
Outside privacy with indicator	14
Outside coin turn	14
Outside coin turn with indicator	14

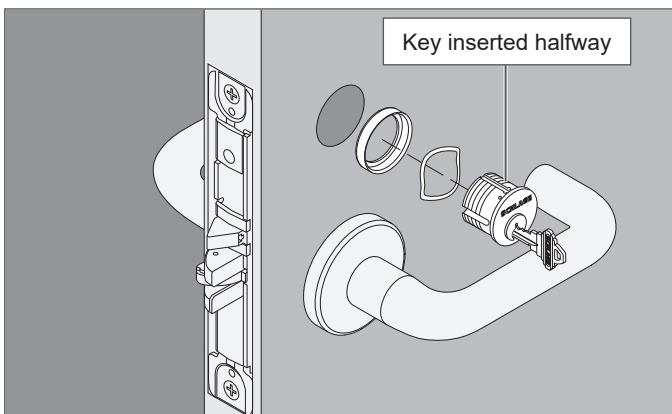
Once both trims are installed, go to page 15 for final installation steps.



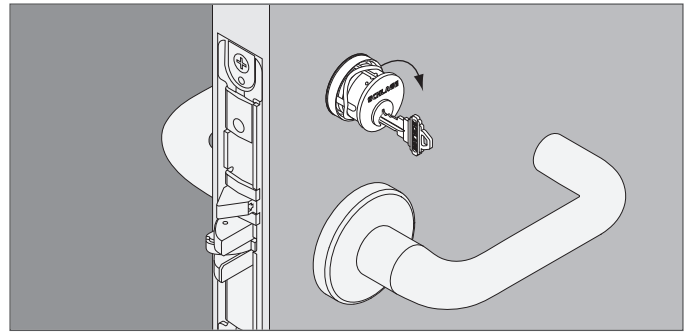
## Cylinder

### 1 Install non-indicator cylinder.

- 1a Insert key halfway into the cylinder, and install the cylinder with ring and cylinder spring as shown.



### 1b Rotate cylinder clockwise.



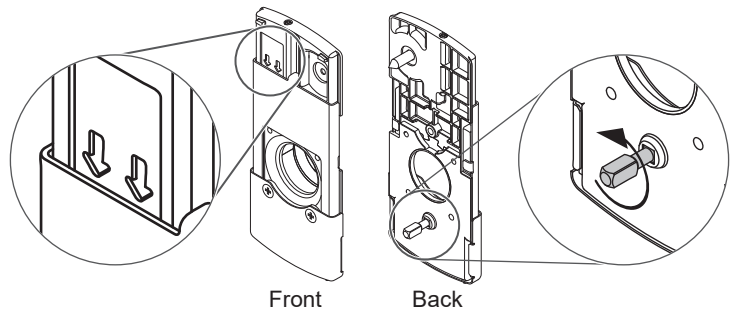
- 1c Proceed with the appropriate steps to install trim on opposite side. If both trims are installed, proceed to page 15 to complete installation.



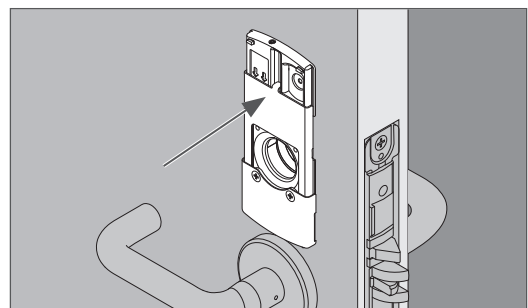
## Cylinder Indicator

### 1 Install indicator module.

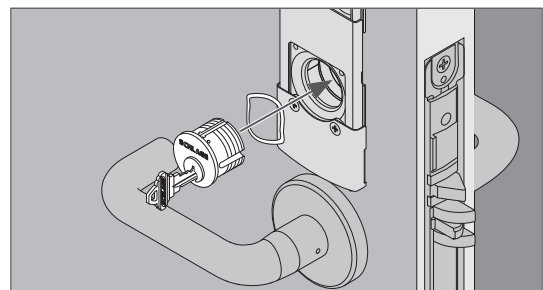
- 1a Rotate the indicator module spindle until the sign moves down and uncovers the arrow markings.



- 1b Place the indicator module against the door.



- 1c Insert key halfway into the cylinder, and install the cylinder with cylinder spring as shown.

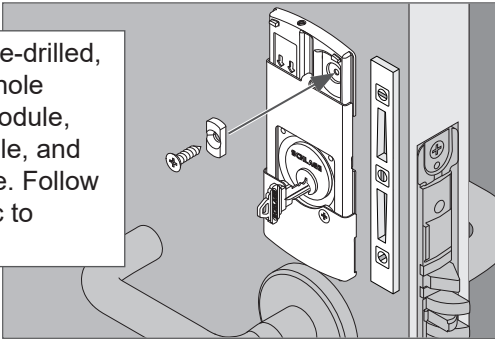


## 2 Install mounting screw with flange.

Before fully tightening the screw, use a level to align the module assembly so that it is parallel with the door edge.

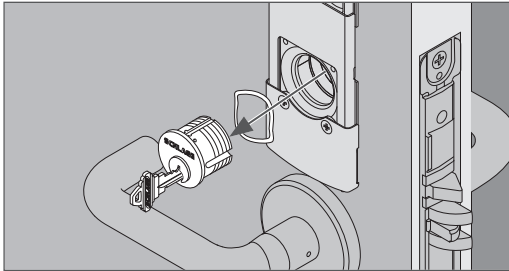
**⚠ DO NOT drill the door hole through the module opening!**

① Note: If not pre-drilled, mark the top hole of indicator module, remove module, and drill a  $\frac{5}{32}$ " hole. Follow steps 1a to 1c to reinstall..

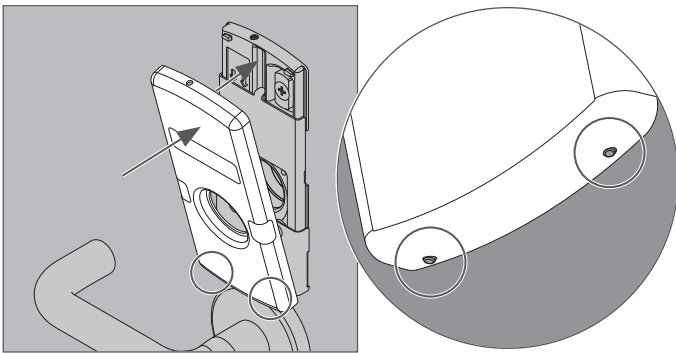


## 3 Install sectional trim.

### 3a Remove the key cylinder.

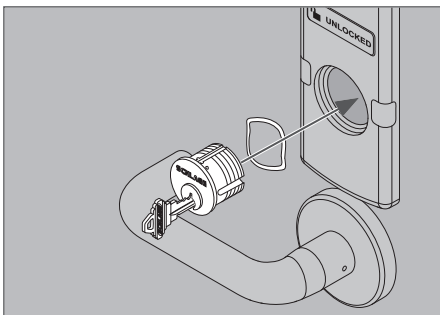


3b Mount the sectional trim. Line up pins on bottom of indicator module with holes on sectional trim, then pivot trim until flush with the door.



3c Insert key halfway into the cylinder, and install the cylinder with cylinder spring as shown.

① **NOTE: cylinder must be flush with sectional trim.**



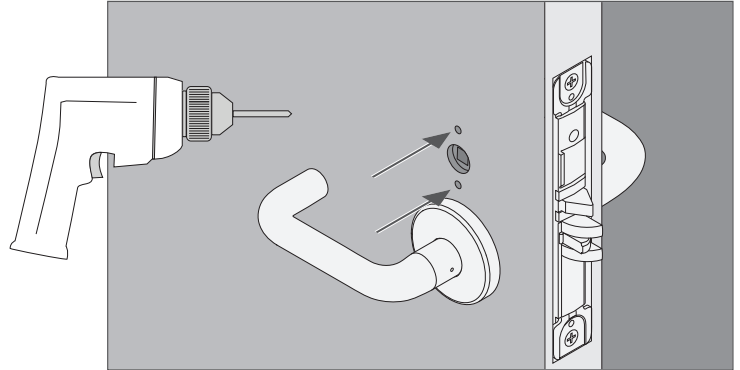
3d Proceed with the appropriate steps to install trim on opposite side. If both trims are installed, proceed to page 15 to complete installation.



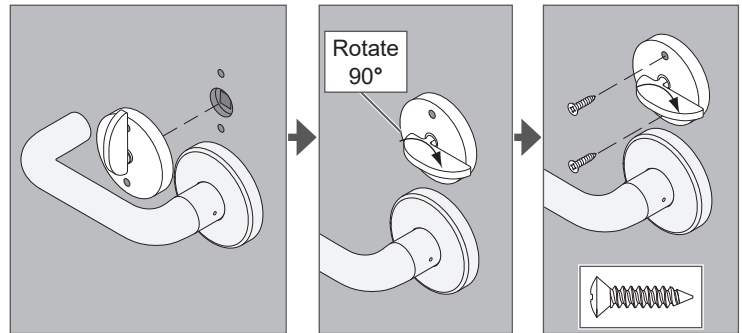
## Thumb turn

### 1 Install non-indicator thumb turn.

1a If not pre-drilled, use the provided door template to mark and drill two (2) pilot holes.



### 1b Install the thumb turn.



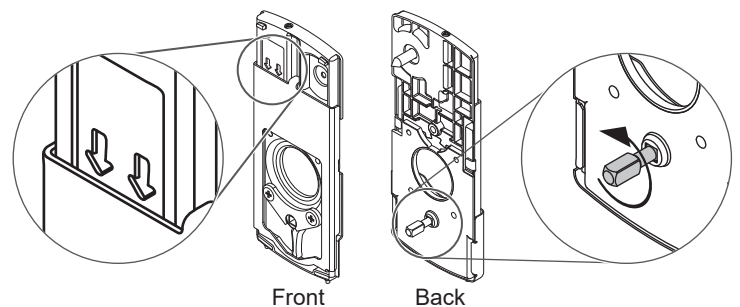
1c Proceed with the appropriate steps to install trim on opposite side. If both trims are installed, proceed to page 15 to complete installation.



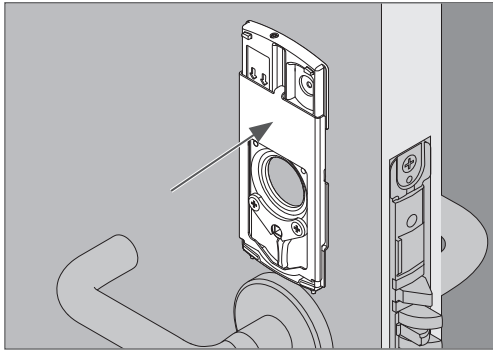
## Thumb turn Indicator

### 1 Install indicator module.

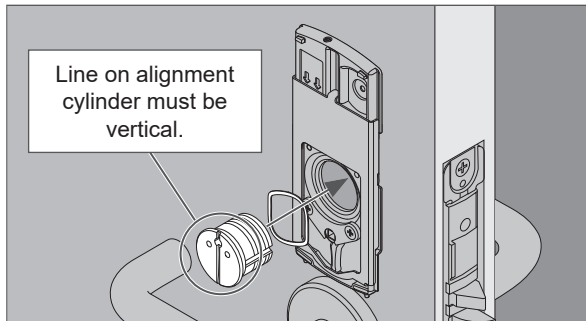
1a Rotate the indicator module spindle until the sign moves down and uncovers the arrow markings.



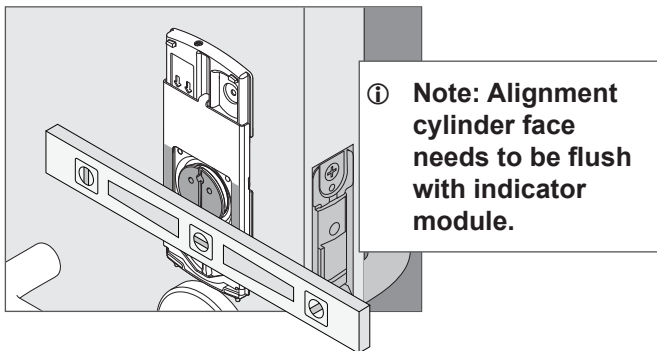
1b Place the indicator module against the door.



1c Install the alignment cylinder with cylinder spring as shown. Use any slotted screwdriver, lever wrench, or coin to rotate the cylinder.



Use a level or the armor plate to ensure the cylinder face is flush to the shaded areas as shown.



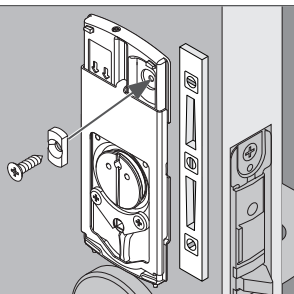
ⓘ Note: Slot in the alignment cylinder must be vertical after installing the alignment cylinder.

2 Install mounting screw with flange.

Before fully tightening the screw, use a level to align the module assembly so that it is parallel with the door edge.

⚠ DO NOT drill the door hole through the module opening!

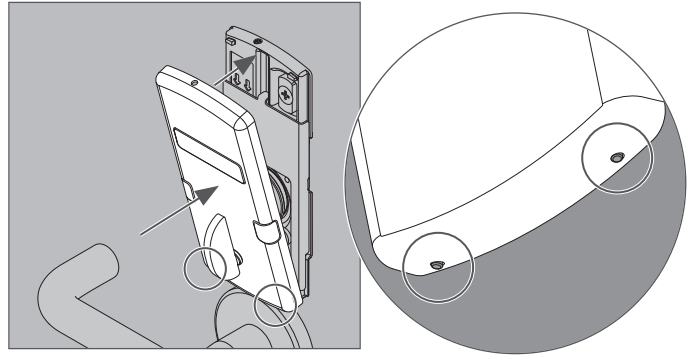
ⓘ Note: If not pre-drilled, mark the top hole of indicator module, remove module, and drill a  $\frac{5}{32}$ " hole. Follow steps 1a to 1c to reinstall.



3 Install sectional trim.

3a Mount the sectional trim. Line up pins on bottom of indicator module with holes on sectional trim, then pivot trim until flush with the door.

ⓘ Install the trim with the thumbturn vertical.



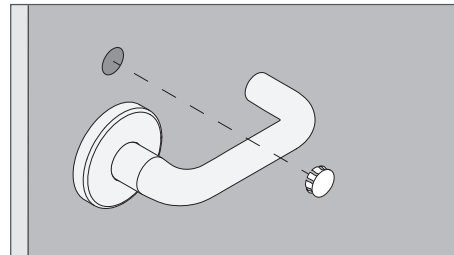
3b Proceed with the appropriate steps to install trim on opposite side. If both trims are installed, proceed to page 15 to complete installation.



Privacy

1 Install non-indicator trim.

1a Install as shown.



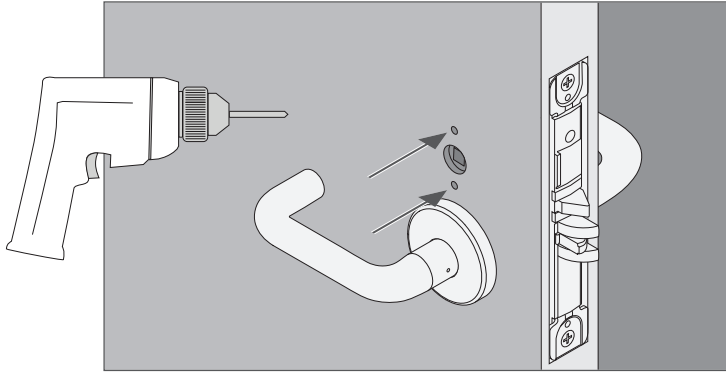
1b Proceed with the appropriate steps to install trim on opposite side. If both trims are installed, proceed to page 15 to complete installation.



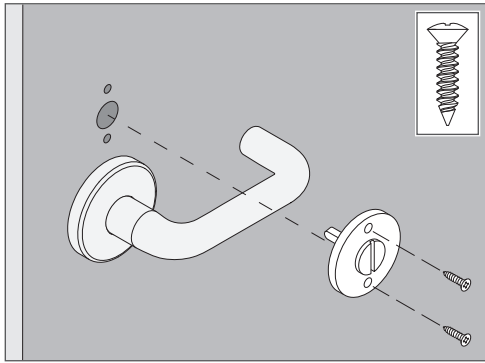
## Coin turn

**1** Install non-indicator coin turn.

**1a** If not pre-drilled, use provided door template to mark and drill two (2) pilot holes.



**1b** Install the coin turn.



**1c** Proceed with the appropriate steps to install trim on opposite side. If both trims are installed, proceed to page 15 to complete installation.

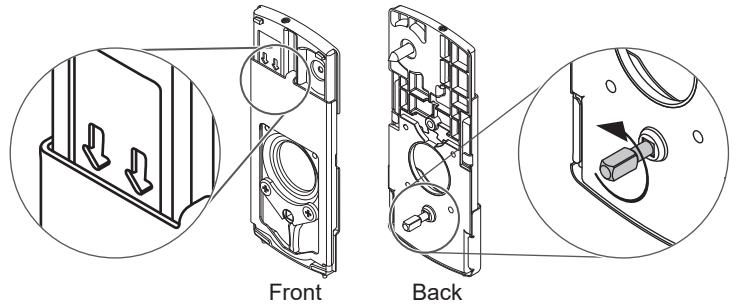


## Coin turn Indicator

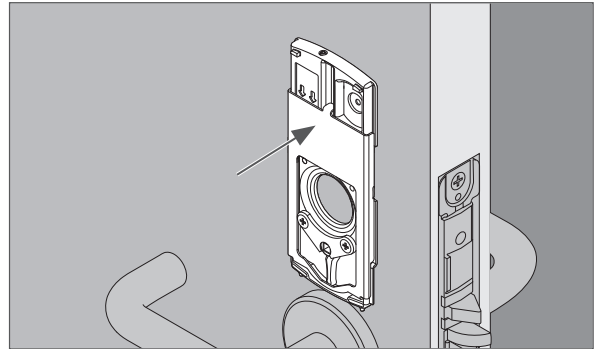
## Privacy Indicator

**1** Install indicator module.

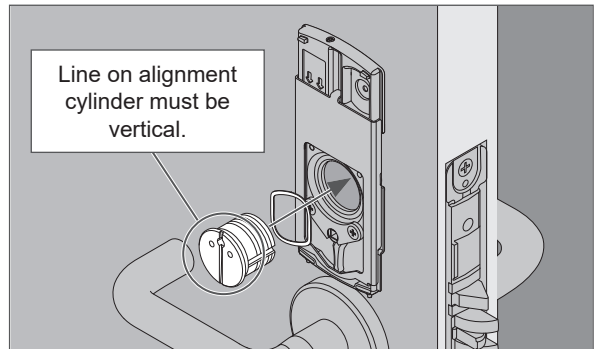
**1a** Rotate the indicator module spindle until the sign moves down and uncovers the arrow markings.



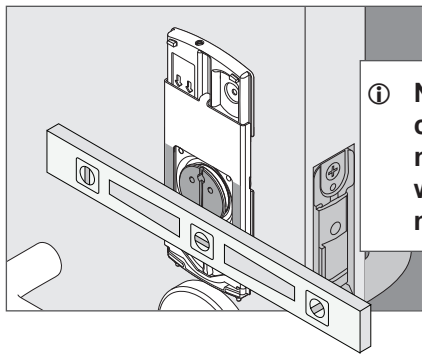
**1b** Place the indicator module against the door.



**1c** Install the alignment cylinder with cylinder spring as shown. Use any slotted screwdriver, lever wrench, or coin to rotate the cylinder.



Use a level or the armor plate to ensure the cylinder face is flush to the shaded areas as shown.



① **Note: Alignment cylinder face needs to be flush with indicator module.**

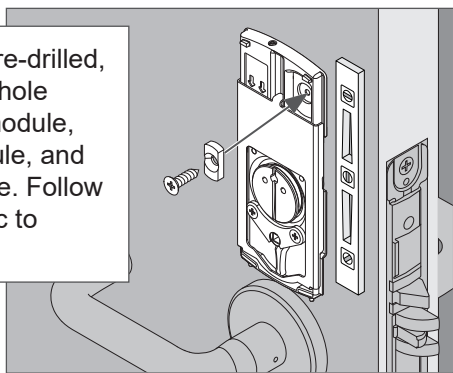
① **Note: Slot in the alignment cylinder must be vertical after installing the alignment cylinder**

## 2 Install mounting screw with flange.

Before fully tightening the screw, use a level to align the module assembly so that it is parallel with the door edge.

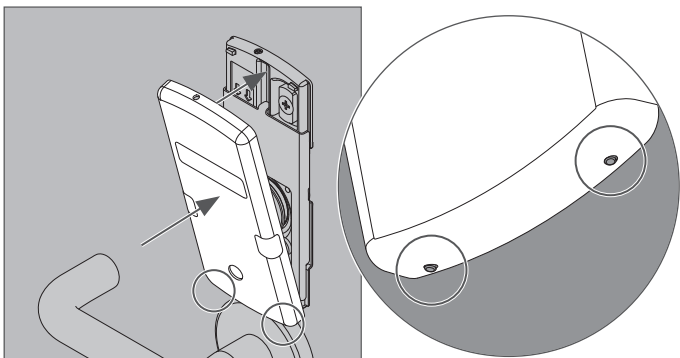
**⚠ DO NOT drill the door hole through the module opening!**

① **Note: If not pre-drilled, mark the top hole of indicator module, remove module, and drill a  $\frac{5}{32}$ " hole. Follow steps 1a to 1c to reinstall.**



## 3 Install sectional trim.

3a Mount the sectional trim. Line up pins on bottom of indicator module with holes on sectional trim, then pivot trim until flush with the door.



3b Proceed with the appropriate steps to install trim on opposite side. If both trims are installed, proceed to page 15 to complete installation.

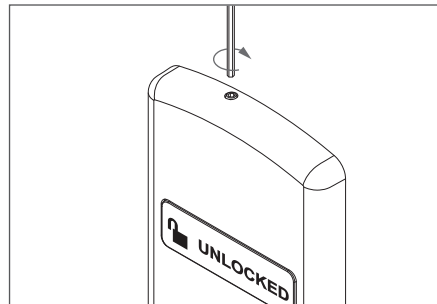
## Finish Installation

Make sure both the inside and outside trims are fully installed before the following steps.

### 1 Secure sectional indicator trim.

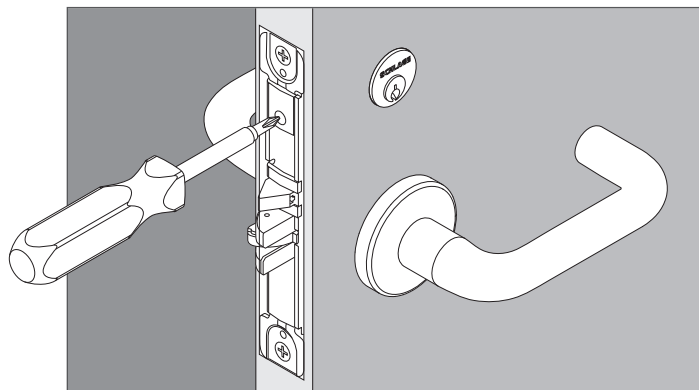
Turn the pre-installed screw clockwise using a  $\frac{1}{16}$ " Allen key until the sectional trim is held firmly.

If both the inside and outside trims are indicator trims, remember to tighten the screw on both trims.

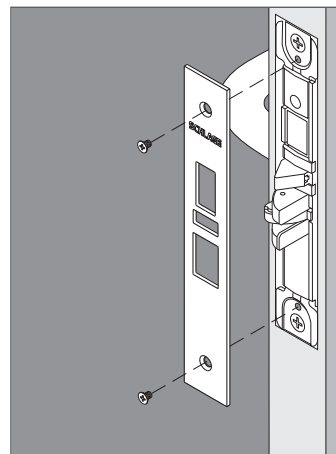


### 2 Tighten cylinder retaining screw with screwdriver.

**Only for trims with cylinder.**



### 3 Install armor front.









47931169

# L9000/LV9000 Lock with Indicator



L9000/LV9000 Series Lock with Indicator Sectional Trim

Installation Instructions

Indicator trim is available for either the inside, outside, or both sides on allowable functions.

Non-indicator trim is furnished on the opposite side of the door.

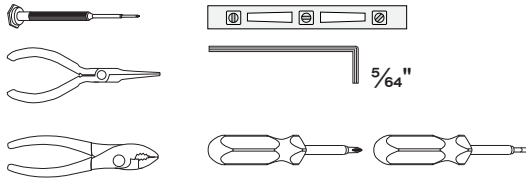
▲ **Confirm desired placement (inside, outside, or both) before installation.**

▲ **The L9000 lock with indicator is not intended for exterior door applications.**

*Included:*



*Not included:*



**DO NOT USE POWER TOOLS  
for lock and indicator installation!**

**Para Español, vaya a la página X.  
Pour le Français, voir la page X.**

## Table of Contents

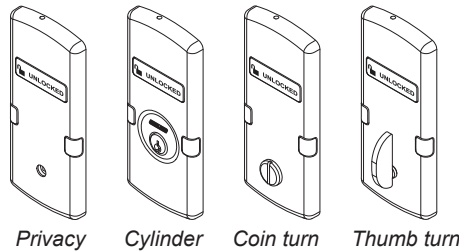
<b>Start installation</b>	<b>18</b>
<b>Trim installation</b>	
Outside cylinder	19
Outside cylinder with indicator	19
Inside thumb turn	20
Inside thumb turn with indicator	20
Outside privacy	21
Outside privacy with indicator	22
Outside coin turn	22
Outside coin turn with indicator	22
<b>Finish installation</b>	<b>23</b>

## Customer Service

1-877-671-7011

[www.allegion.com/us](http://www.allegion.com/us)

**Indicator options:**

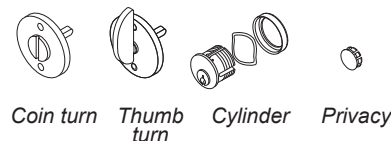


OR

OR

*Outside non-indicator cylinder with  
inside indicator cylinder trim shown*

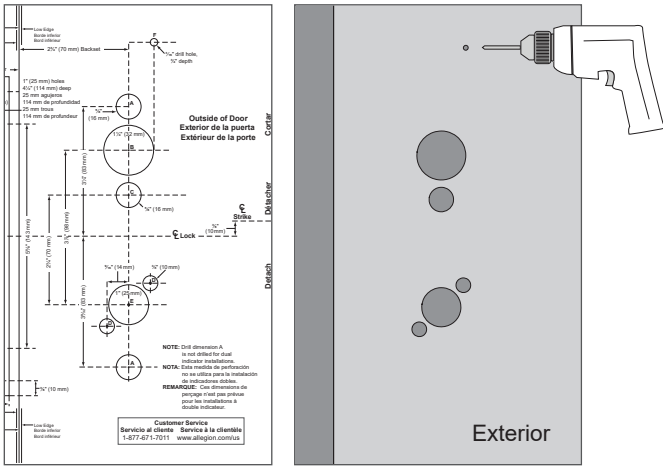
**Non-indicator options:**



## Start Installation

### 1 Double-check the door preparation.

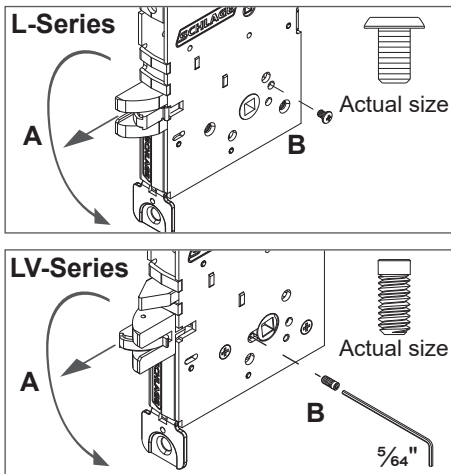
Check the door preparation dimensions with the template included in the package. Complete drilling, if necessary.



### 2 IMPORTANT! Check lock handing before installation.

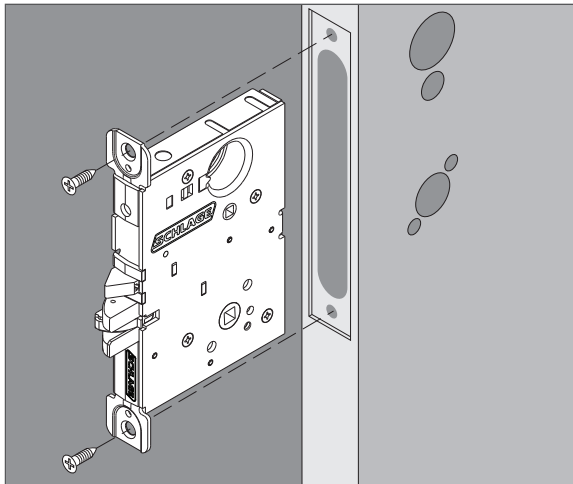
#### To change handing:

- Pull out the latch and rotate 180°.
- Remove the lock handing screw from one side of the chassis and install it on the opposite side. The lock handing screw should always be on the interior side of the door.



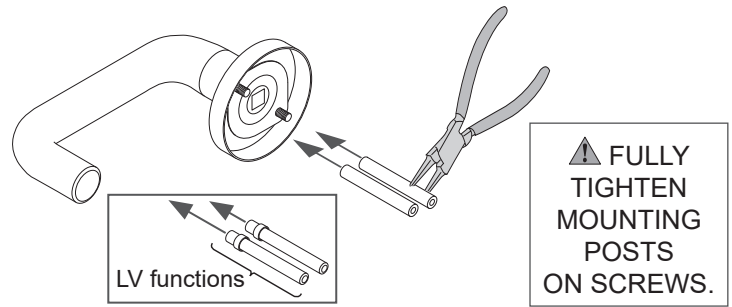
### 3 Install lock chassis.

**⚠ Fully tighten chassis mounting screws.**



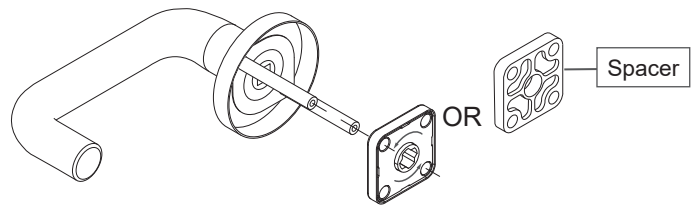
### 4 Prepare outside lever assembly for installation.

#### 4a Install outside mounting posts.

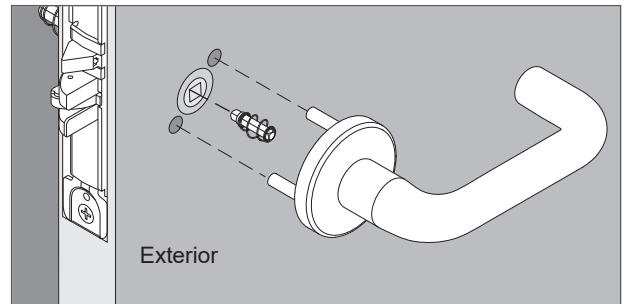


#### 4b Install outside spring cage or spacer.

Use outside spacer with L9480, L9485, L9460 x XL11-635, L9460 x XL11-886, L9464 x XL11-886.

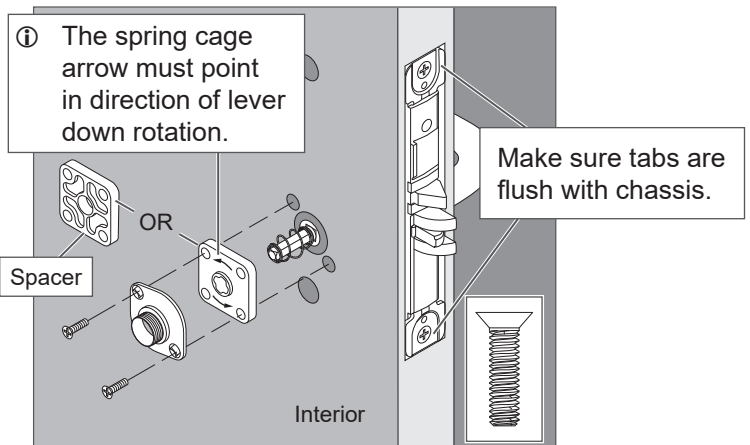


### 5 Install outside spindle, spring, and lever assembly.



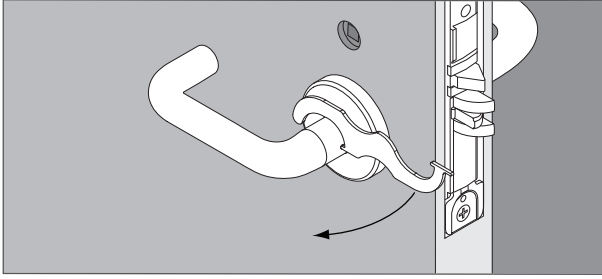
### 6 Install inside spring cage and mounting plate.

Use inside spacer with L9460 x XL11-635.



## 7 Install inside lever.

Tighten bushing with spanner wrench.



### Install Trims

Follow instructions to install both the inside and outside trims.

Trim	Page
Outside cylinder	19
Outside cylinder with indicator	19
Inside thumb turn	20
Inside thumb turn with indicator	20
Outside privacy	21
Outside privacy with indicator	22
Outside coin turn	22
Outside coin turn with indicator	22

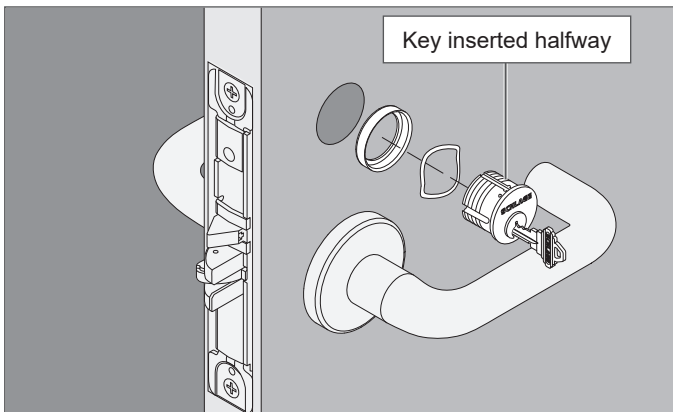
Once both trims are installed, go to page 23 for final installation steps.



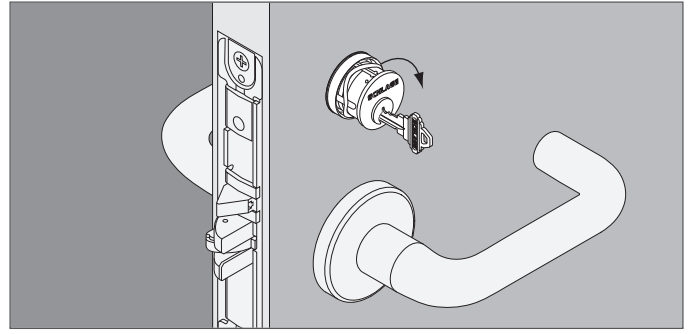
### Cylinder

#### 1 Install non-indicator cylinder.

- 1a Insert key halfway into the cylinder, and install the cylinder with ring and cylinder spring as shown.



#### 1b Rotate cylinder clockwise.



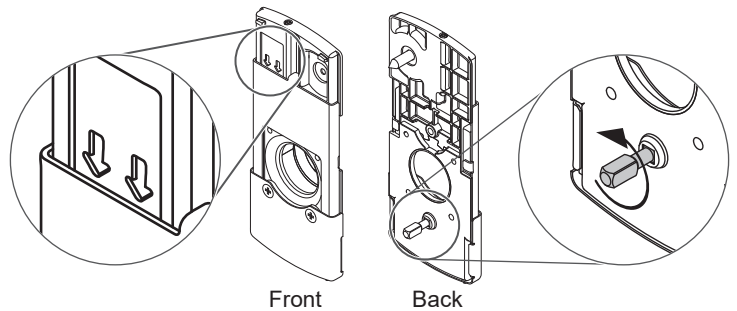
- 1c Proceed with the appropriate steps to install trim on opposite side. If both trims are installed, proceed to page 23 to complete installation.



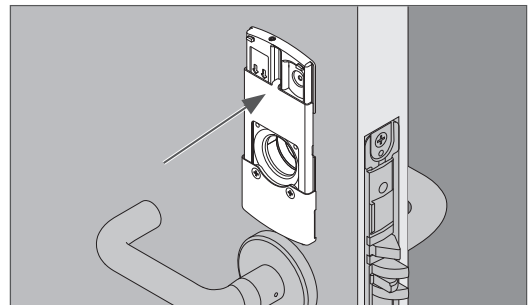
### Cylinder Indicator

#### 1 Install indicator module.

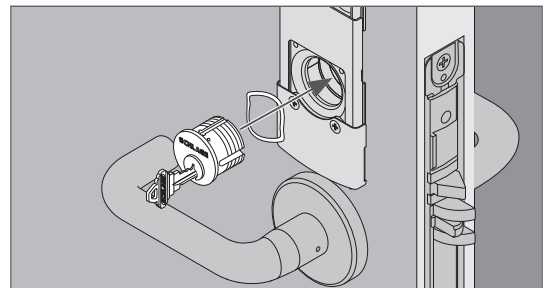
- 1a Rotate the indicator module spindle until the sign moves down and uncovers the arrow markings.



- 1b Place the indicator module against the door.



- 1c Insert key halfway into the cylinder, and install the cylinder with cylinder spring as shown.

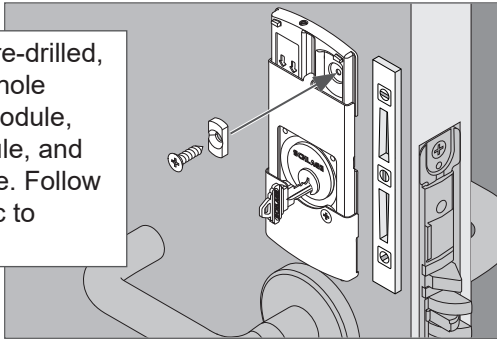


## 2 Install mounting screw with flange.

Before fully tightening the screw, use a level to align the module assembly so that it is parallel with the door edge.

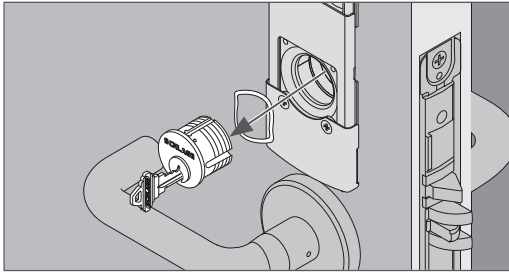
**⚠ DO NOT drill the door hole through the module opening!**

① Note: If not pre-drilled, mark the top hole of indicator module, remove module, and drill a  $\frac{5}{32}$ " hole. Follow steps 1a to 1c to reinstall..

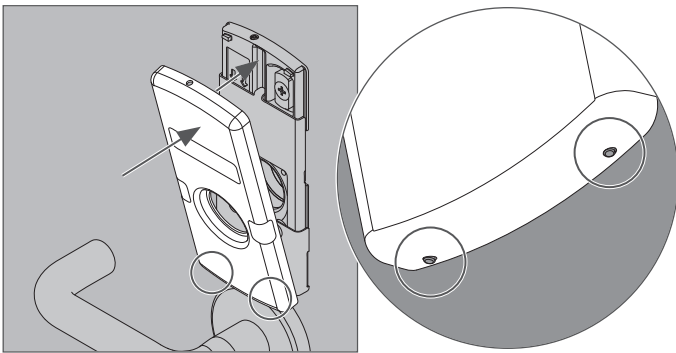


## 3 Install sectional trim.

### 3a Remove the key cylinder.

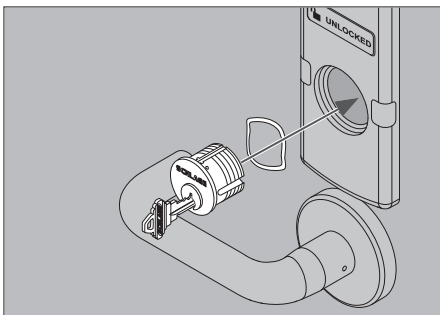


3b Mount the sectional trim. Line up pins on bottom of indicator module with holes on sectional trim, then pivot trim until flush with the door.



3c Insert key halfway into the cylinder, and install the cylinder with cylinder spring as shown.

① **NOTE: cylinder must be flush with sectional trim.**



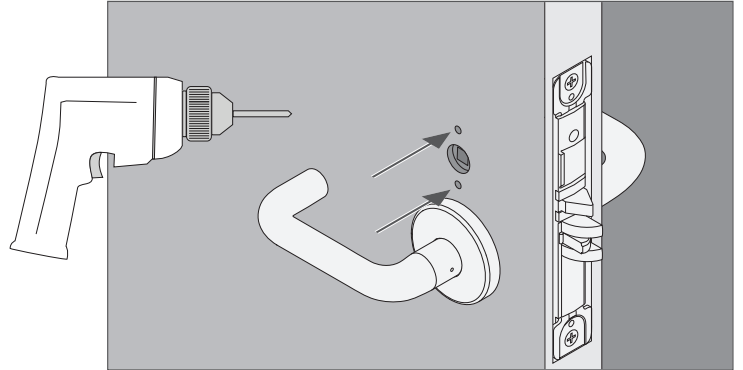
3d Proceed with the appropriate steps to install trim on opposite side. If both trims are installed, proceed to page 23 to complete installation.



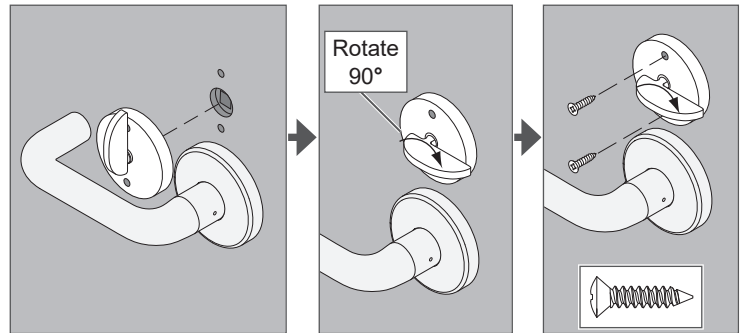
## Thumb turn

### 1 Install non-indicator thumb turn.

1a If not pre-drilled, use the provided door template to mark and drill two (2) pilot holes.



### 1b Install the thumb turn.



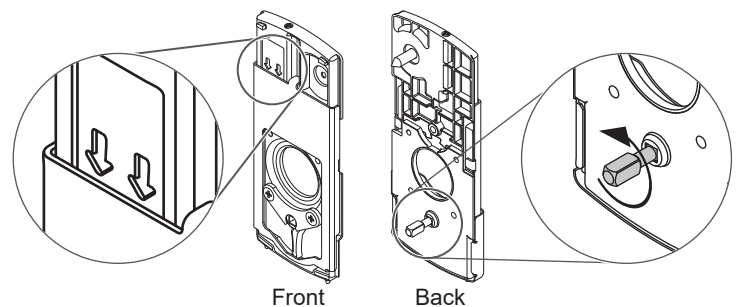
1c Proceed with the appropriate steps to install trim on opposite side. If both trims are installed, proceed to page 23 to complete installation.



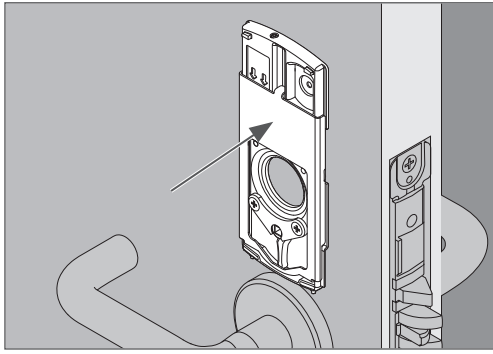
## Thumb turn Indicator

### 1 Install indicator module.

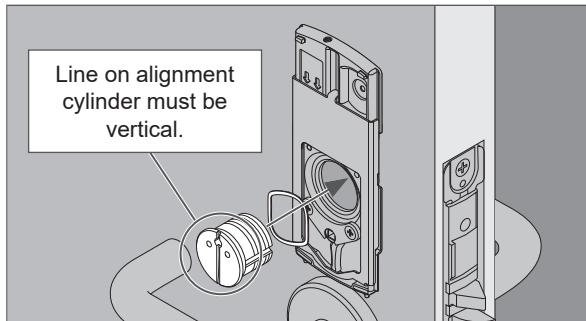
1a Rotate the indicator module spindle until the sign moves down and uncovers the arrow markings.



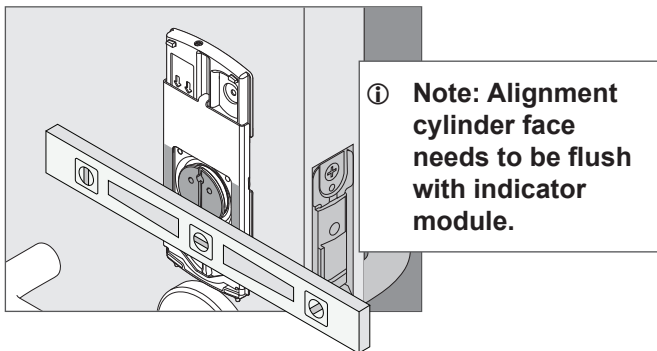
1b Place the indicator module against the door.



1c Install the alignment cylinder with cylinder spring as shown. Use any slotted screwdriver, lever wrench, or coin to rotate the cylinder.



Use a level or the armor plate to ensure the cylinder face is flush to the shaded areas as shown.



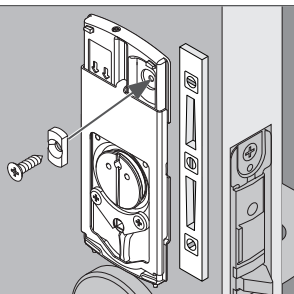
ⓘ **Note:** Slot in the alignment cylinder must be vertical after installing the alignment cylinder.

**2** Install mounting screw with flange.

Before fully tightening the screw, use a level to align the module assembly so that it is parallel with the door edge.

**⚠ DO NOT drill the door hole through the module opening!**

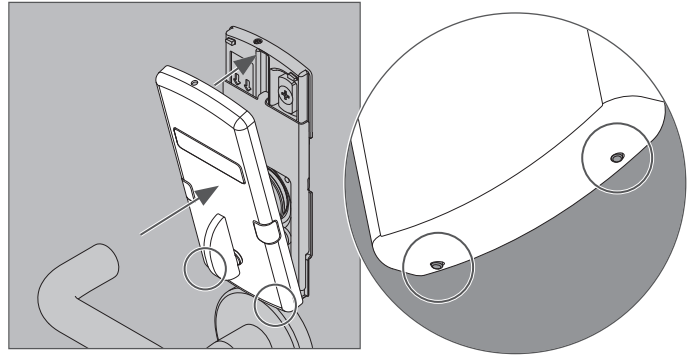
ⓘ **Note:** If not pre-drilled, mark the top hole of indicator module, remove module, and drill a  $\frac{5}{32}$ " hole. Follow steps 1a to 1c to reinstall.



**3** Install sectional trim.

3a Mount the sectional trim. Line up pins on bottom of indicator module with holes on sectional trim, then pivot trim until flush with the door.

ⓘ **Install the trim with the thumbturn vertical.**

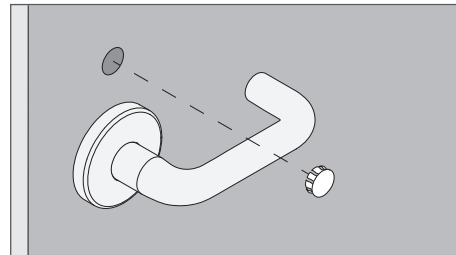


3b Proceed with the appropriate steps to install trim on opposite side. If both trims are installed, proceed to page 23 to complete installation.



**1** Install non-indicator trim.

1a Install as shown.



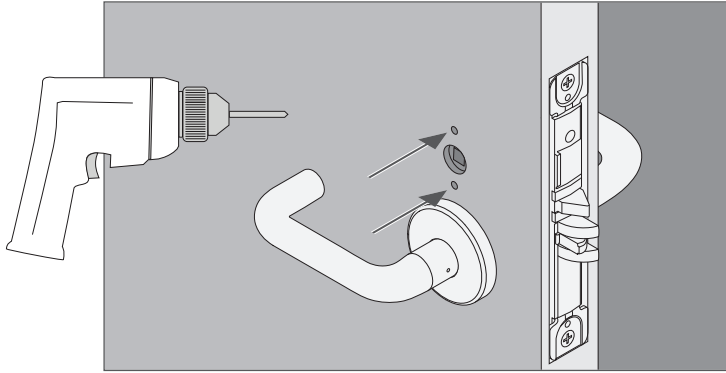
1b Proceed with the appropriate steps to install trim on opposite side. If both trims are installed, proceed to page 23 to complete installation.



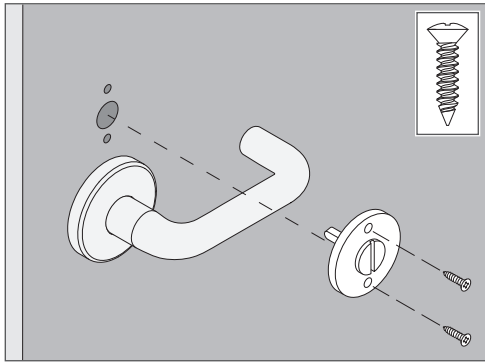
## Coin turn

**1** Install non-indicator coin turn.

**1a** If not pre-drilled, use provided door template to mark and drill two (2) pilot holes.



**1b** Install the coin turn.



**1c** Proceed with the appropriate steps to install trim on opposite side. If both trims are installed, proceed to page 23 to complete installation.

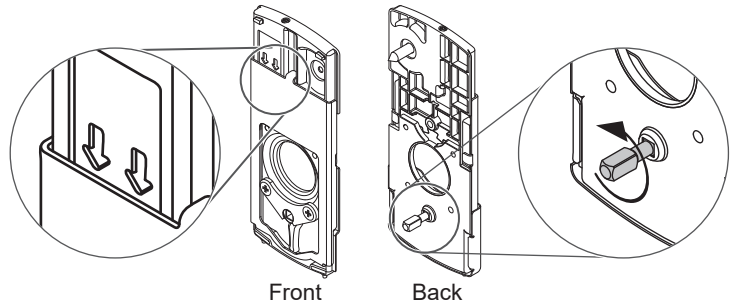


## Coin turn Indicator

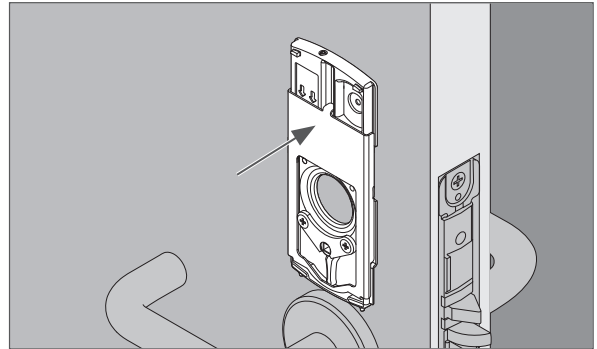
## Privacy Indicator

**1** Install indicator module.

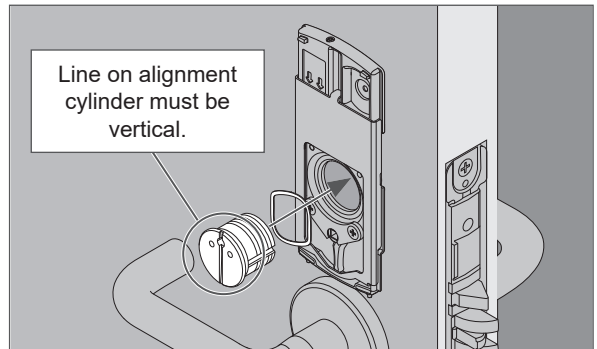
**1a** Rotate the indicator module spindle until the sign moves down and uncovers the arrow markings.



**1b** Place the indicator module against the door.

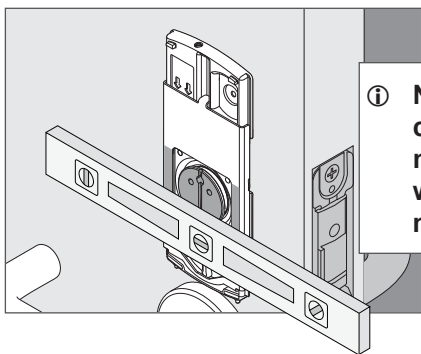


**1c** Install the alignment cylinder with cylinder spring as shown. Use any slotted screwdriver, lever wrench, or coin to rotate the cylinder.





Use a level or the armor plate to ensure the cylinder face is flush to the shaded areas as shown.



① **Note: Alignment cylinder face needs to be flush with indicator module.**

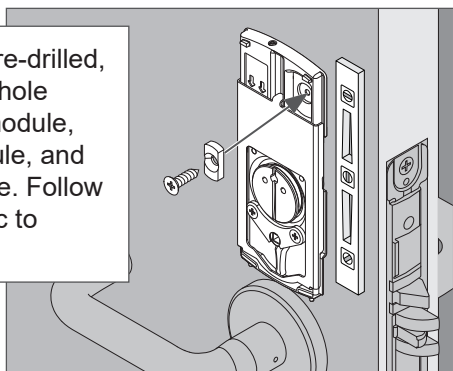
① **Note: Slot in the alignment cylinder must be vertical after installing the alignment cylinder**

## 2 Install mounting screw with flange.

Before fully tightening the screw, use a level to align the module assembly so that it is parallel with the door edge.

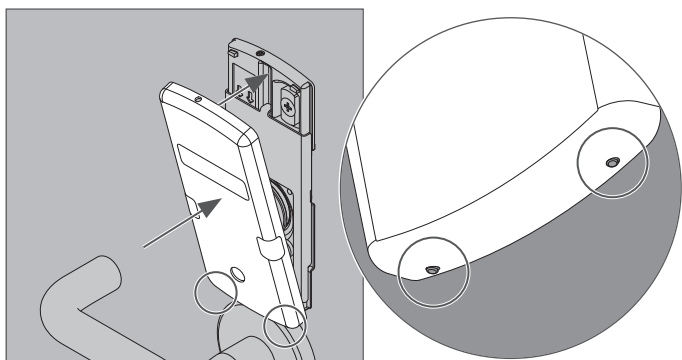
**⚠ DO NOT drill the door hole through the module opening!**

① **Note: If not pre-drilled, mark the top hole of indicator module, remove module, and drill a  $\frac{5}{32}$ " hole. Follow steps 1a to 1c to reinstall.**



## 3 Install sectional trim.

3a Mount the sectional trim. Line up pins on bottom of indicator module with holes on sectional trim, then pivot trim until flush with the door.



3b Proceed with the appropriate steps to install trim on opposite side. If both trims are installed, proceed to page 23 to complete installation.

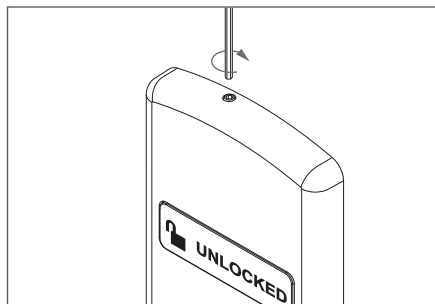
## Finish Installation

Make sure both the inside and outside trims are fully installed before the following steps.

### 1 Secure sectional indicator trim.

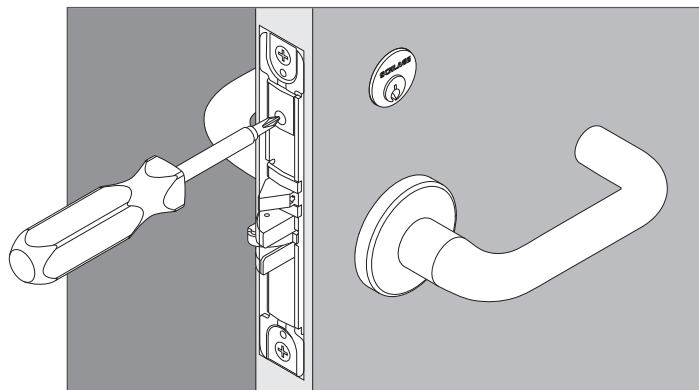
Turn the pre-installed screw clockwise using a  $\frac{1}{16}$ " Allen key until the sectional trim is held firmly.

If both the inside and outside trims are indicator trims, remember to tighten the screw on both trims.



### 2 Tighten cylinder retaining screw with screwdriver.

**Only for trims with cylinder.**



### 3 Install armor front.

